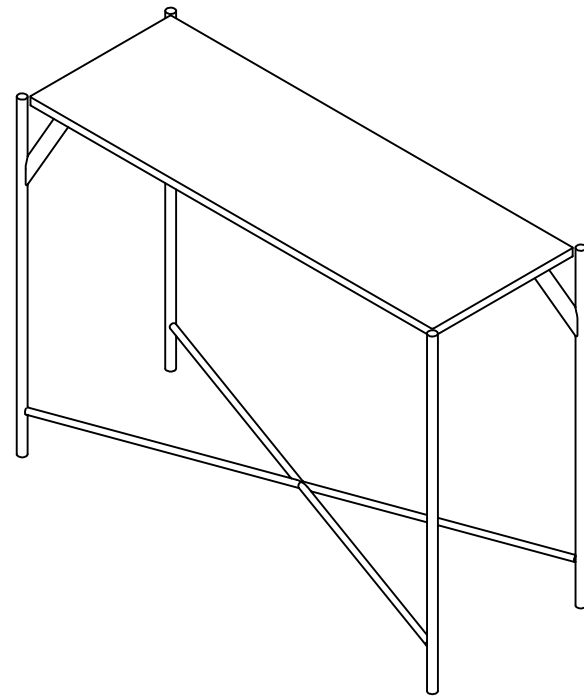
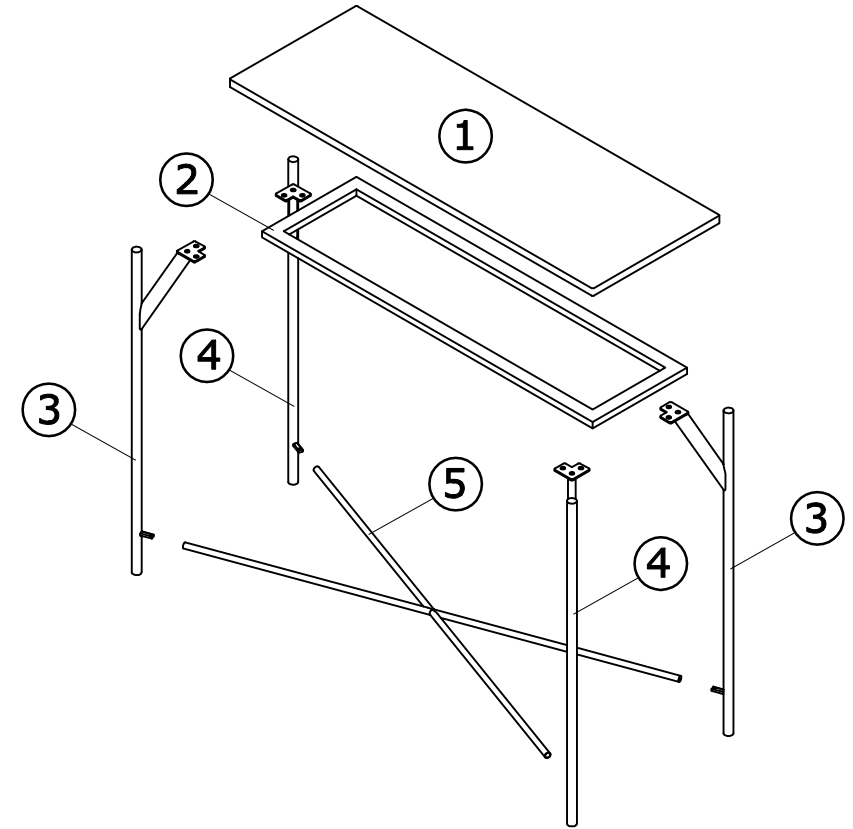
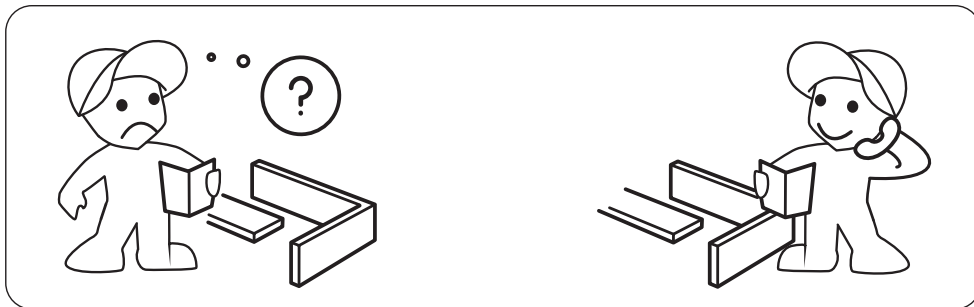
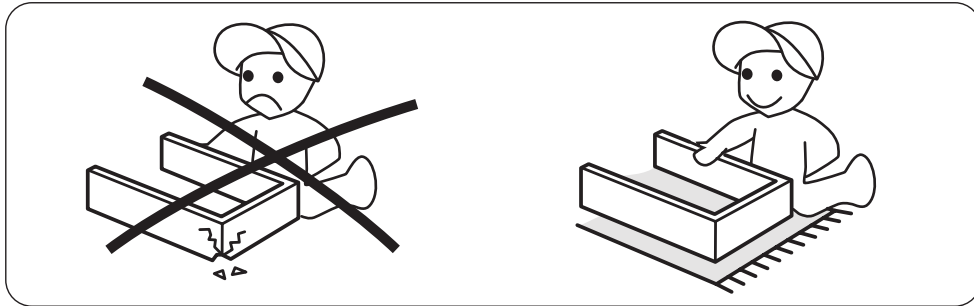
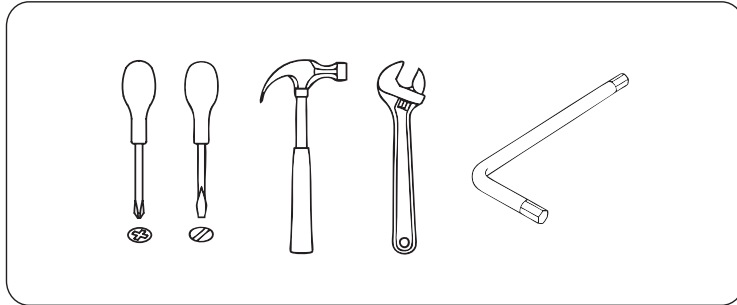


**AIR**





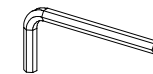
Part	Piece(S)	Dimension LxWxT (mm)
1	1	1000x350x18
2	1	911x261x15
3	2	750x142x68
4	2	750x142x68
5	1	1010x376x12.7



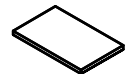
A x4



B x8

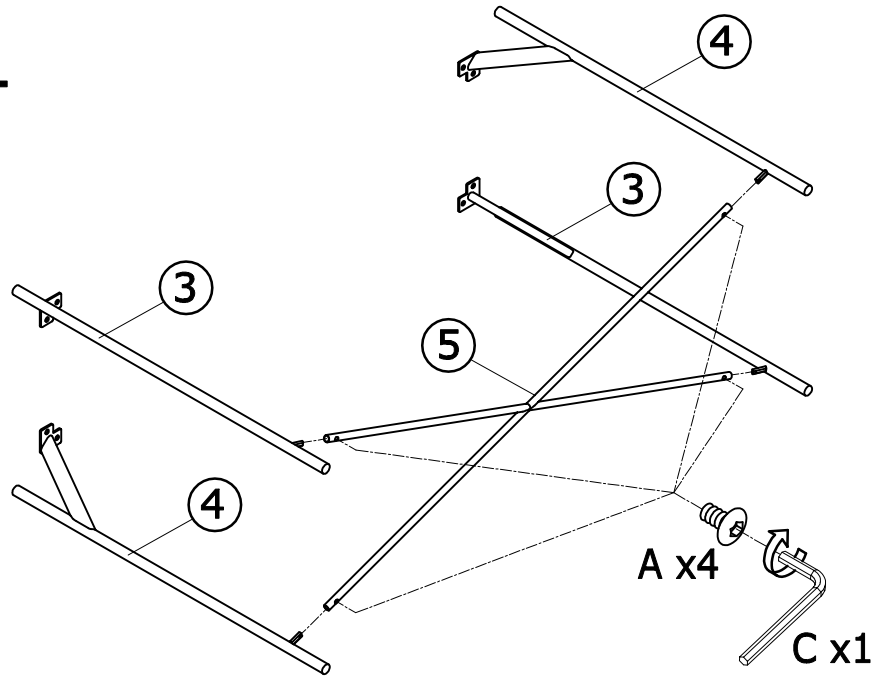


C x1  
4mm

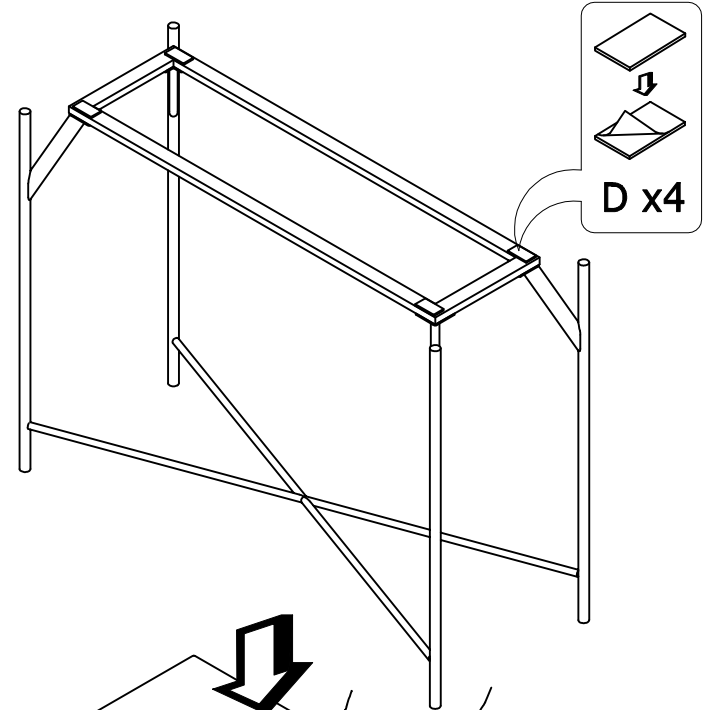


D x4

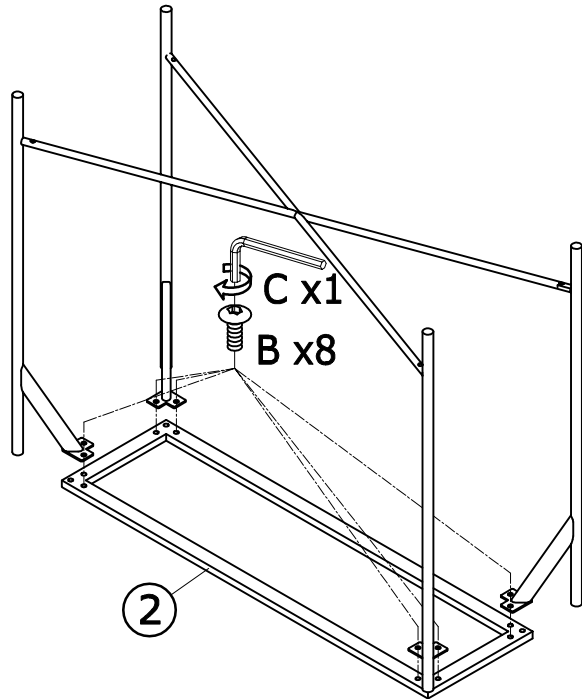
1



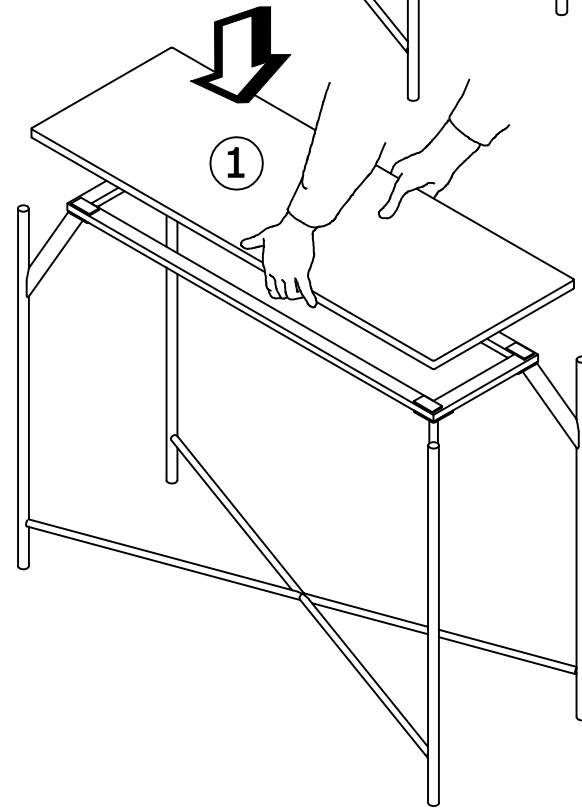
3



2



4



3

4