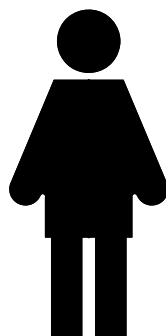
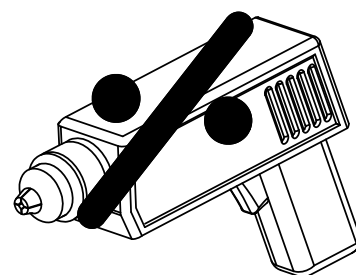
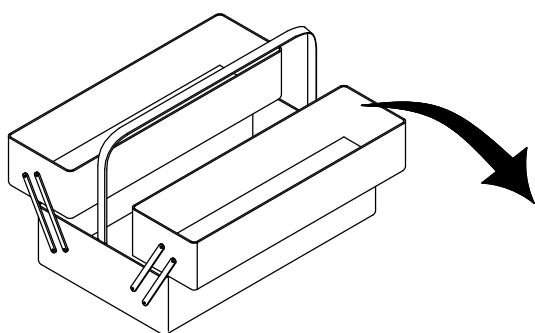
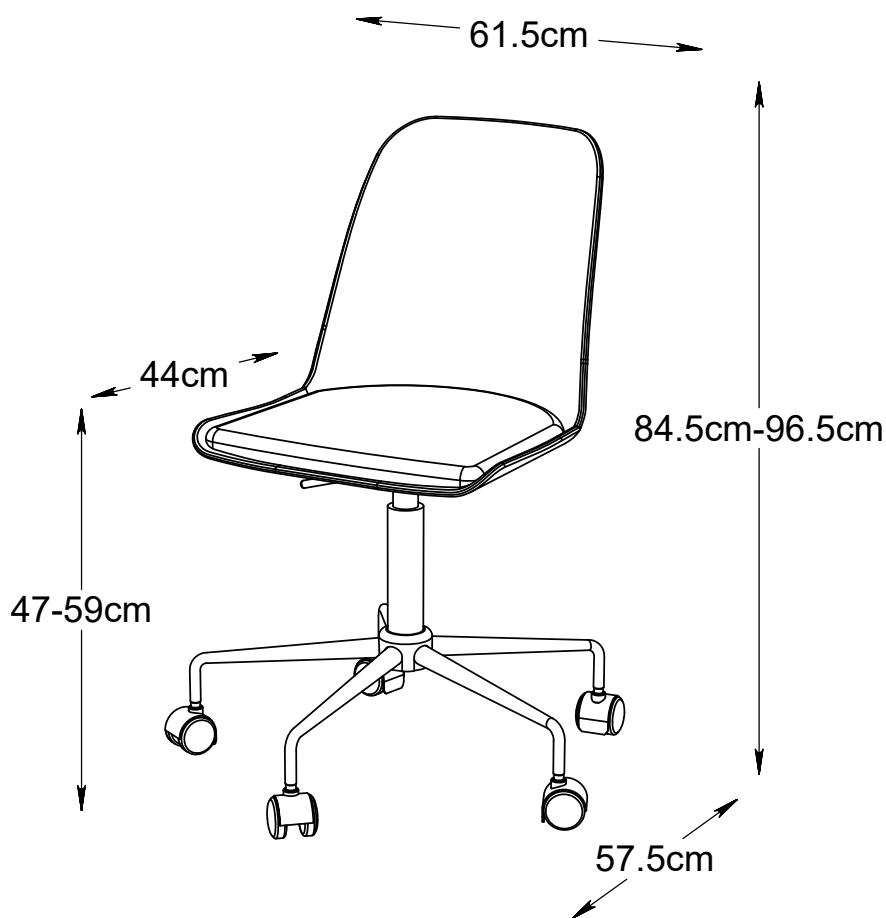


3665



WICHTIG - FÜR SPÄTERE VERWENDUNG
AUFBEWAHREN - SORGFÄLTIG LESEN

AVIS - Ces instructions doivent être sauvegardées
Pour utilisation future - Les instructions doivent
être suivies

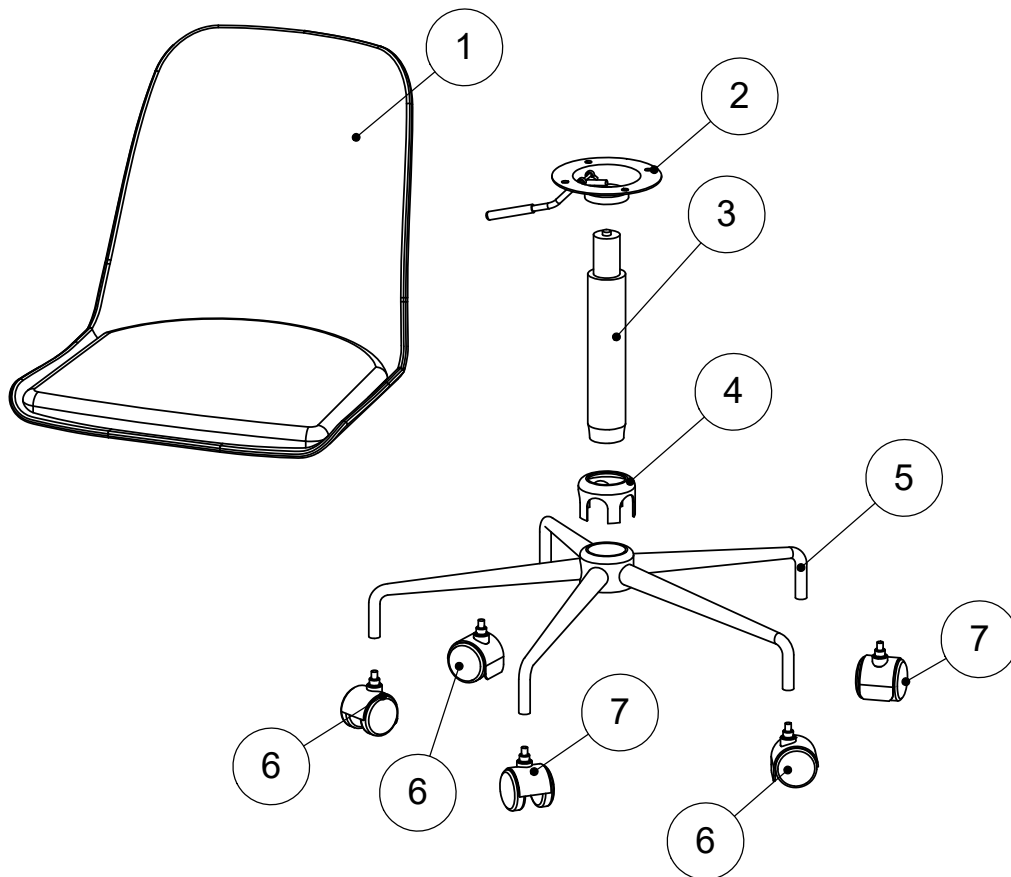
IMPORTANTE, conservar estas instrucciones
para futuro uso. Siga estas instrucciones atentamente

VIGTIGT - Samvejledningen skal opbevares
i arkiv til senere brug - Skal gennemlæses nøje

NOTICE - These instructions must be saved
for future use - Instructions must be followed




TEILCHECKLISTE
 LISTE DE CONTROLE
 LISTADO DE CONTROL
 TJEKLISTE
 CHECK LIST

Réf./No.	Réf./Art.	Qty./Stck./Quantité	Size / Maß / Dimension (mm)	Qty./Stck./Quantité	✓
1		1	440x510x415		
2	227225	1	145x145x50		
3	227226	1	290		
4	227227	1	80x80x55		
5	227228	1	600x575x140		
6	227229	3	55x58x83		
7	227230	2	55x58x83		



TEILCHECKLISTE - LISTE DE CONTROLE - LISTADO DE CONTROL- TJEKLISTE - CHECK LIST

Réf./No.	Réf./Art.	Qty./Stck./Quantité	✓
A	226785	4	
B	226785	4	
C	226785	1	

4 - A	4 - B	1 - C			
 M6x16mm	 16mm	 5mm			

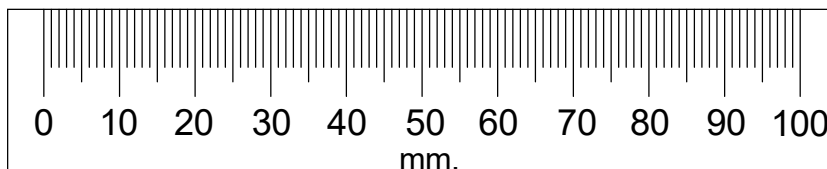
Geehrter Kunde.
 Hier haben Sie die Möglichkeit die mitgelieferten
 Schrauben nachzumessen.

Cher Client.
 La règle ci jointe vous permet de mesurer la visserie.

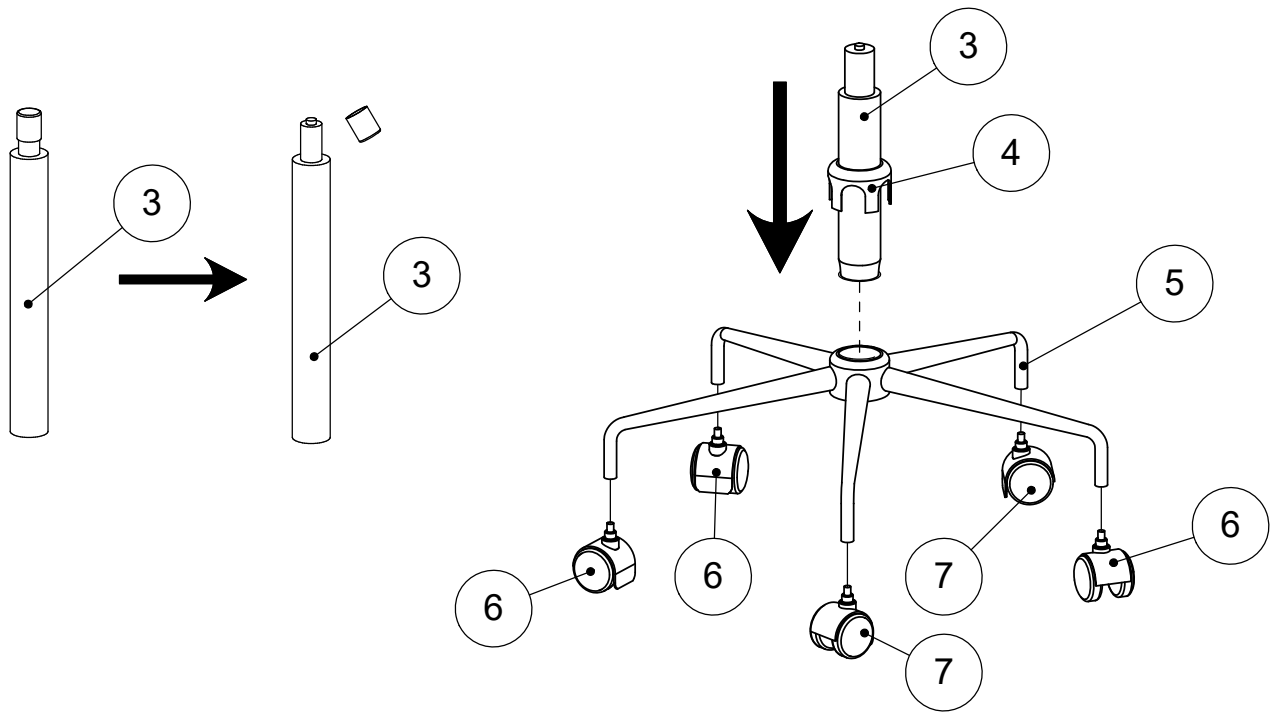
Estimado cliente.
 aquí podrá medir la tornillería adjunta.

Kære kunde.
 Her har De muligheden for at måle medsendte beslag.

Dear Customer.
 Below you have the opportunity to measure the
 Enclosed Hardware.



1

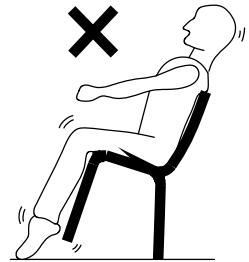
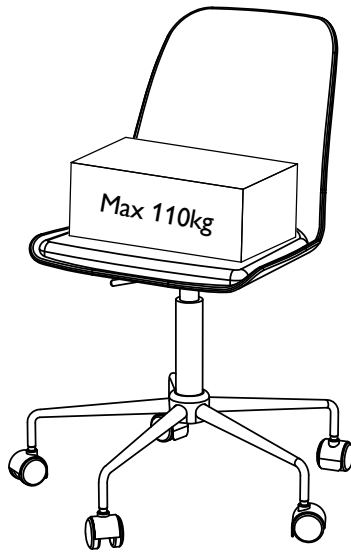
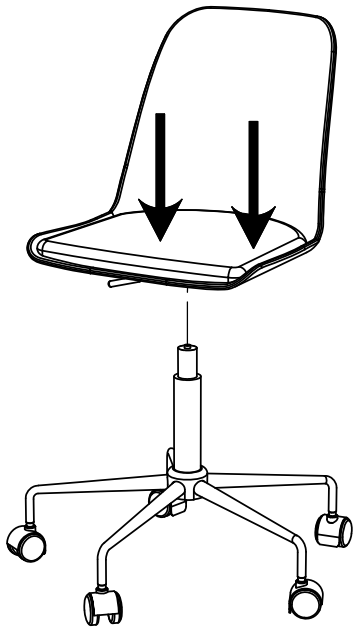


2

A x 4 B x 4 C x 1

Diagram 2 shows the assembly of the base plate. On the left, a perspective view of a box with a lid is shown. A circular base plate (2) is being placed on top of the lid. A screwdriver is shown tightening a screw (1) into the base plate. On the right, a detailed view of the base plate (2) is shown. It features a central circular hole and four smaller holes. A screw (A) is being inserted into one of the holes. A washer (B) is being placed over the screw. A hex key (C) is shown inserted into the top of the screw (A) to tighten it. Arrows indicate the direction of rotation for the hex key.

3



4

