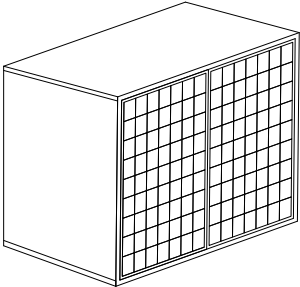
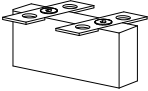
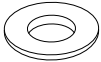

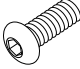



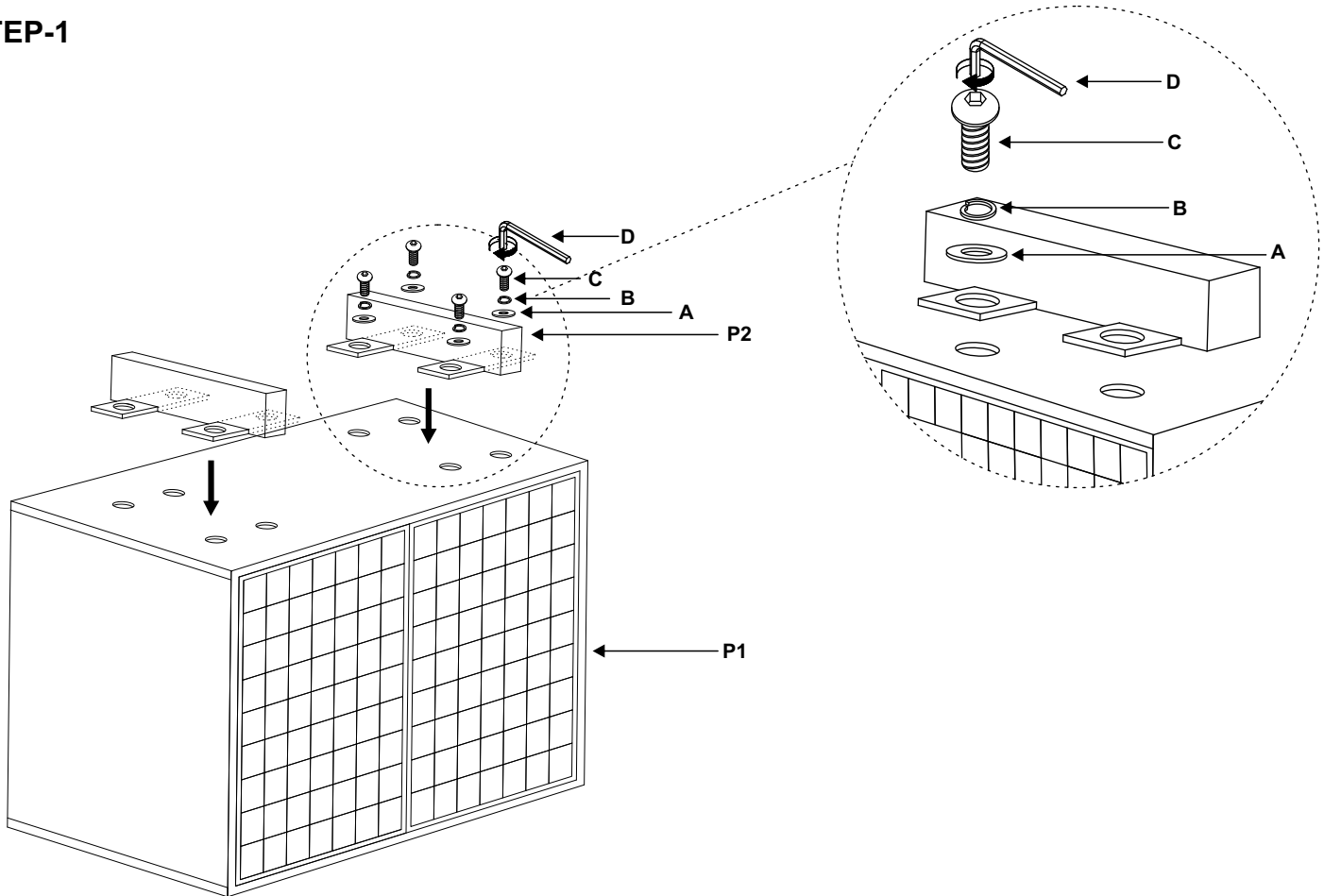
# ASSEMBLY INSTRUCTIONS

ITEM NO. - 1701386-02-0

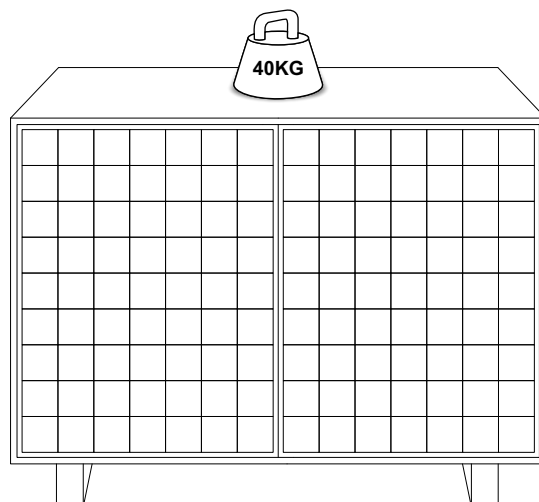
## PARTS LIST

P1	x1	P2	x2	A	x8	B	x8	C	x8	D	x1	#4
					M6xO.D.20		M6xO.D.10		M6x15			

### STEP-1



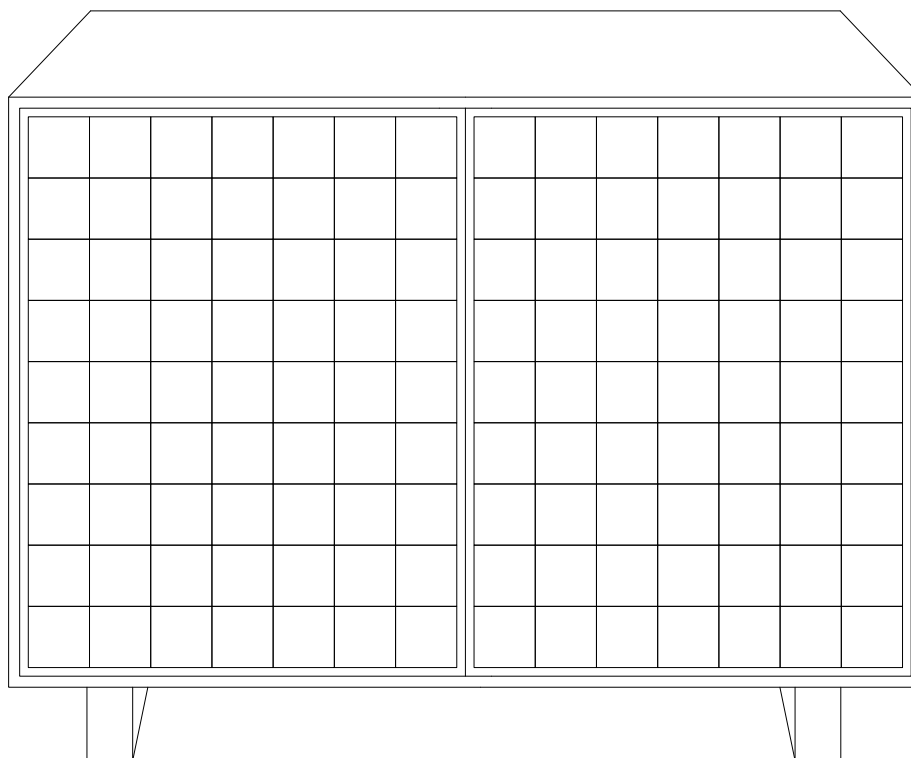
### LOADABILITY



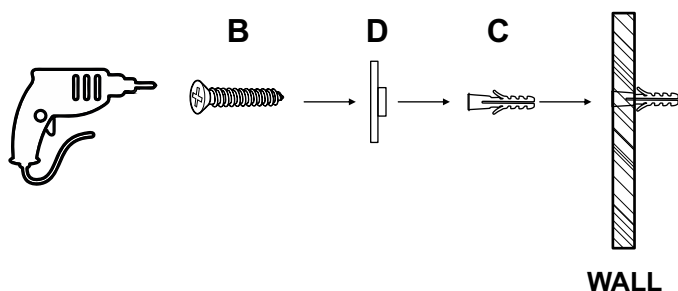
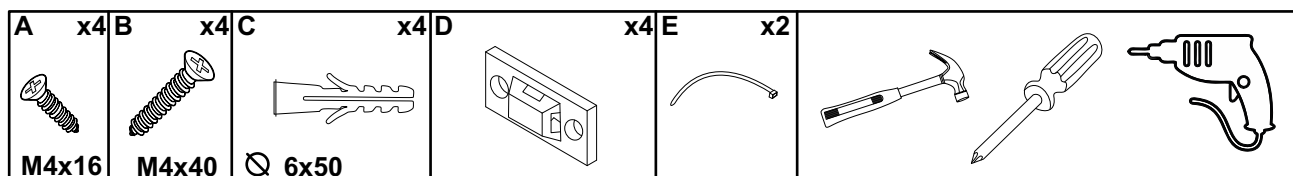
# ANTI TIP ASSEMBLY INSTRUCTIONS

ITEM NO. - 1701386-02-0

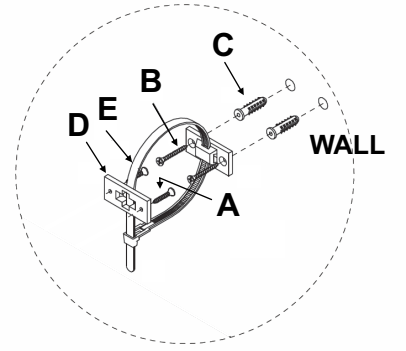
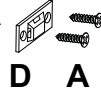
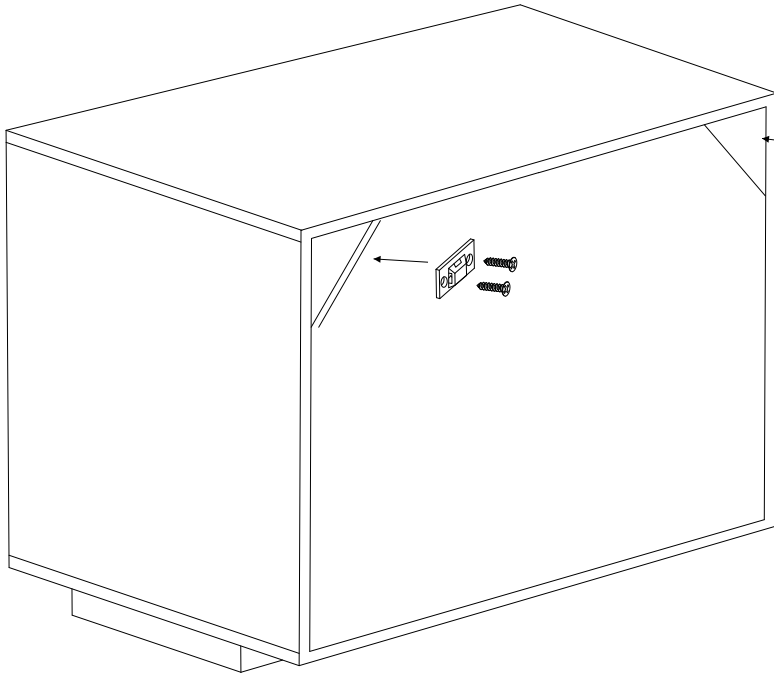
1.



2.



3.



4.

