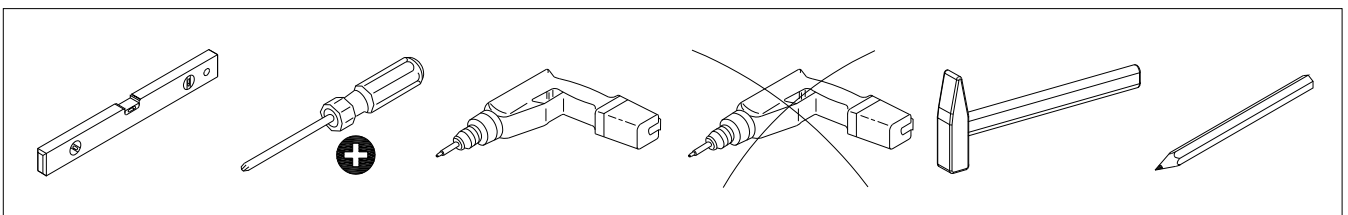
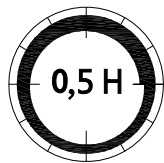
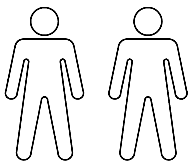
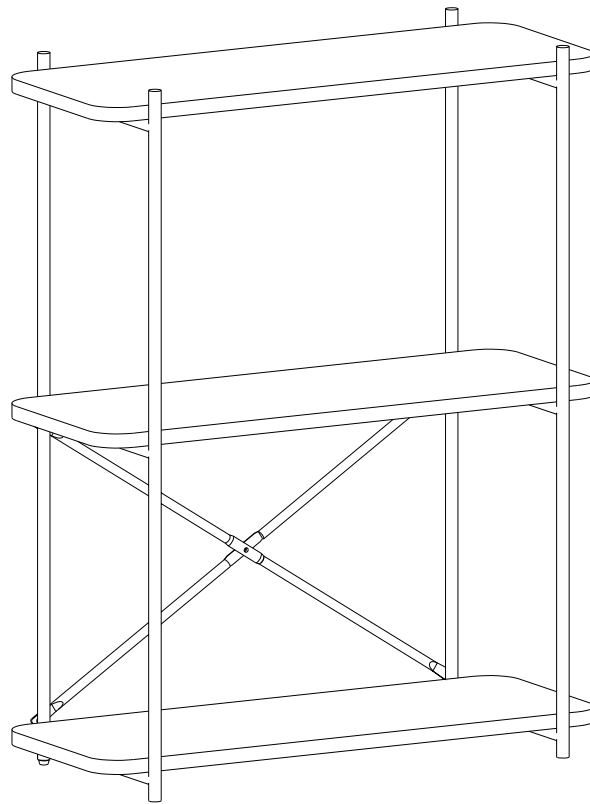
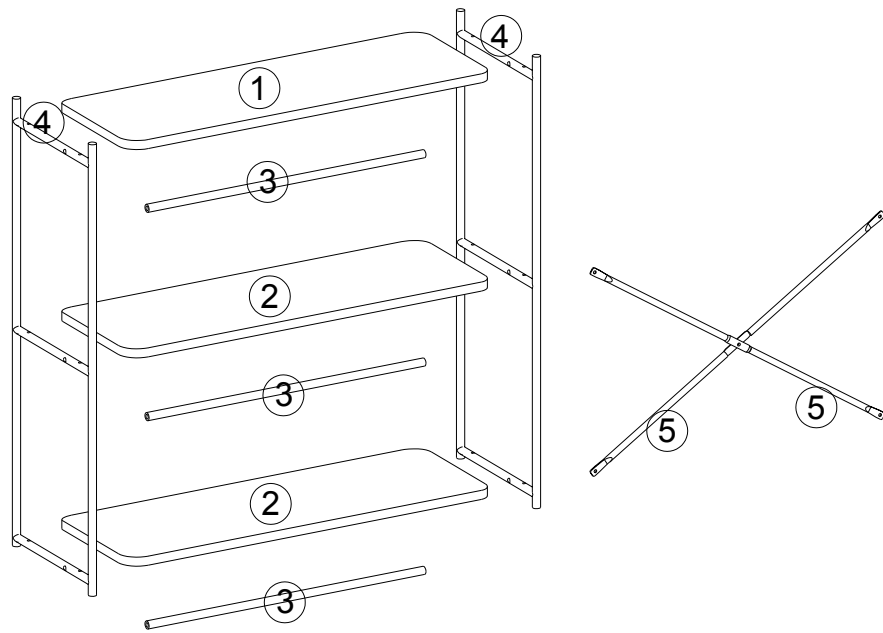


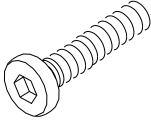
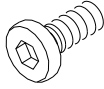
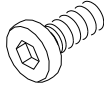

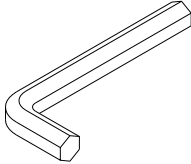
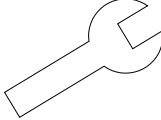
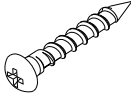

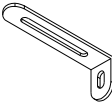
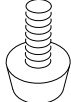
Pascal



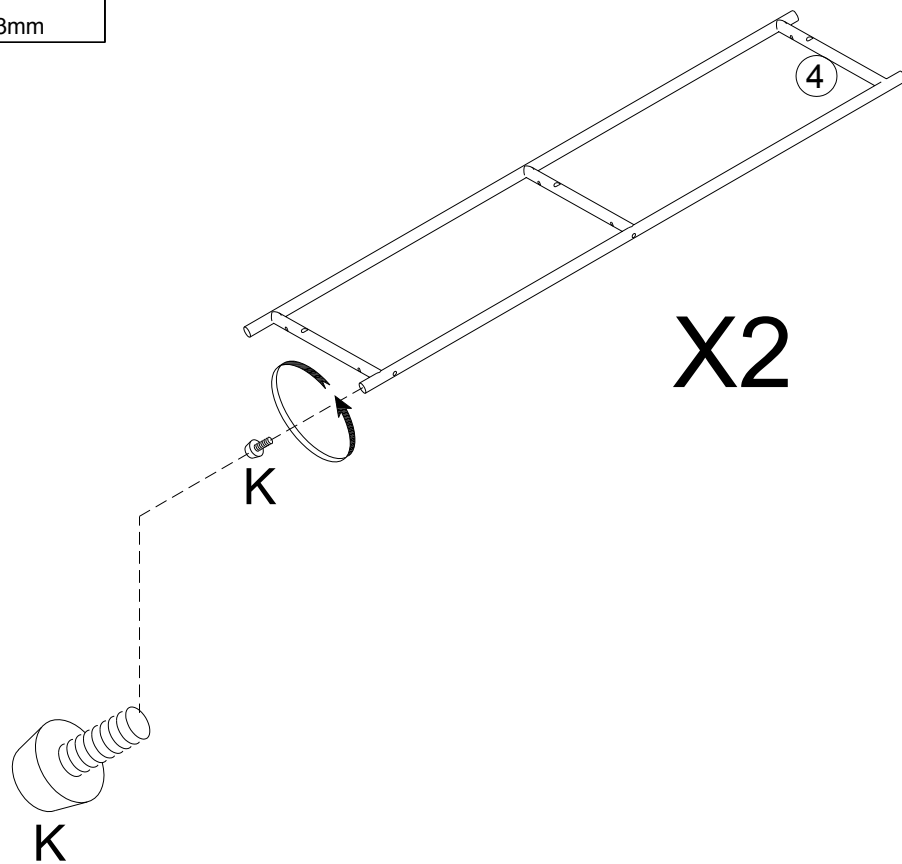
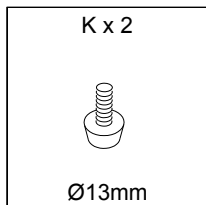
07/13/2021

| | | | | | | | |
|---|---|------------|---|---|---|------------|---|
| | | | ✓ | | | | ✓ |
| ① | 1 | 600x222x15 | | ② | 2 | 600x222x15 | |
| ③ | 3 | Ø13x500 | | ④ | 2 | 750x250x13 | |
| ⑤ | 2 | Ø10x630 | | | | | |

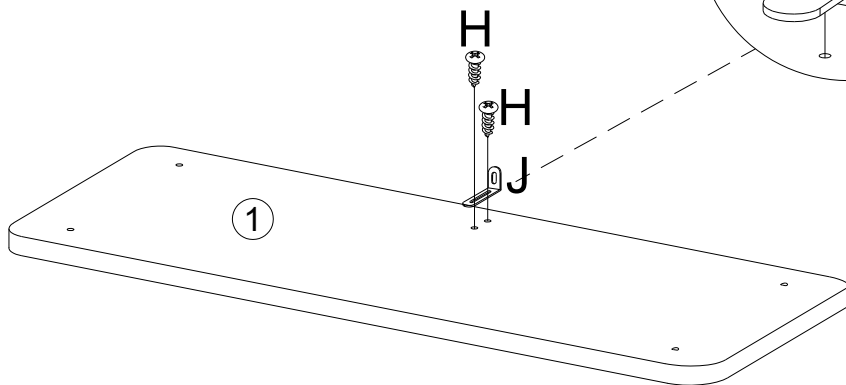
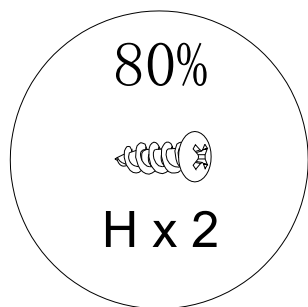
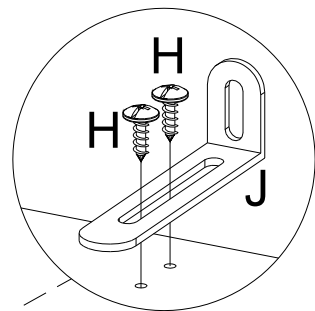
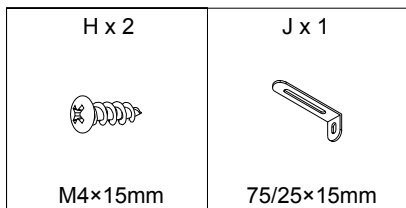


| | | | |
|--|---|--|---|
| <p>A x 6</p>  <p>M6×25mm</p> | <p>B x 1</p>  <p>M6×15mm</p> | <p>C x 4</p>  <p>M6×12mm</p> | <p>D x 1</p>  <p>M6</p> |
| <p>E x 1</p>  <p>4mm</p> | <p>F x 1</p>  <p>4mm</p> | <p>G x 12</p>  <p>4×25mm</p> | <p>H x 2</p>  <p>M4×15mm</p> |
| <p>J x 1</p>  <p>75/25×15mm</p> | <p>K x 2</p>  <p>Ø13mm</p> | | |

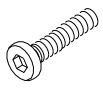
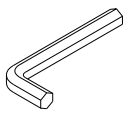
1

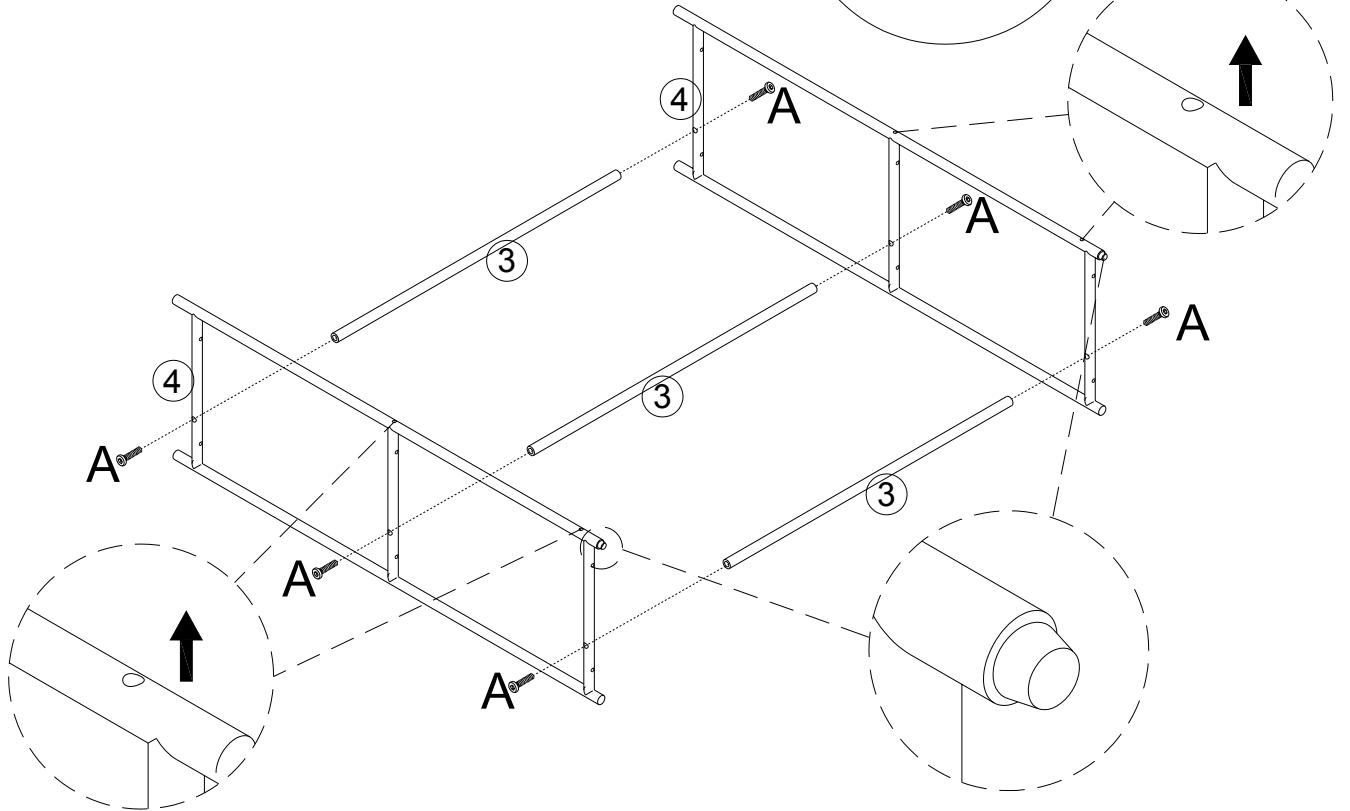
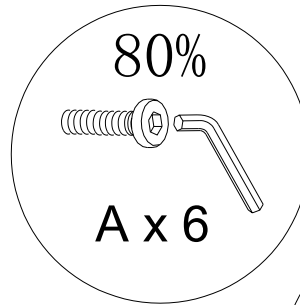


2



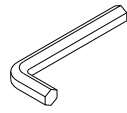
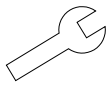


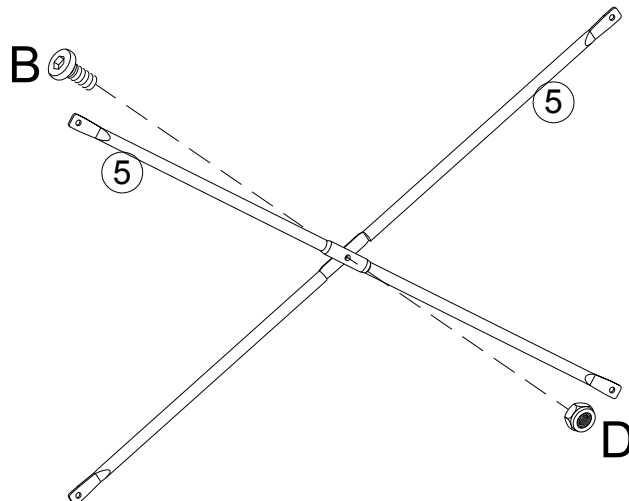
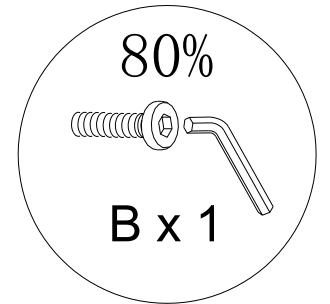
3

| | |
|---|---|
| A x 6 | E x 1 |
|  |  |
| M6x25mm | 4mm |

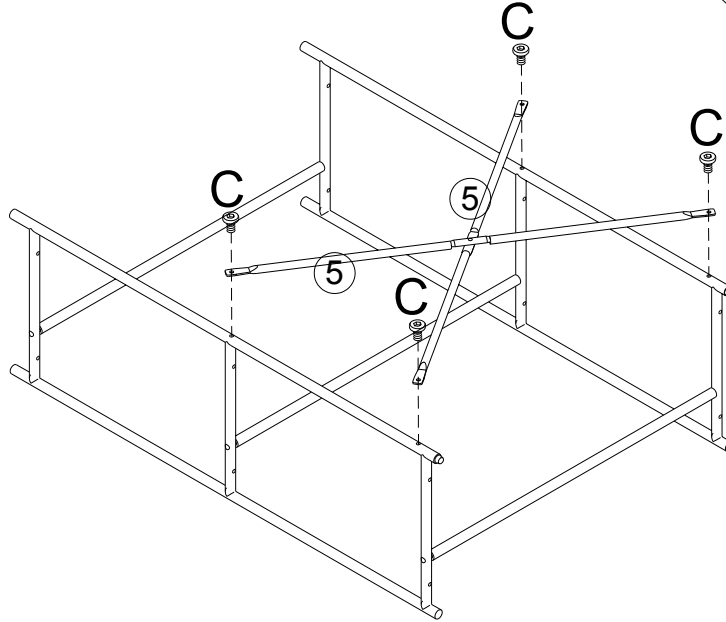
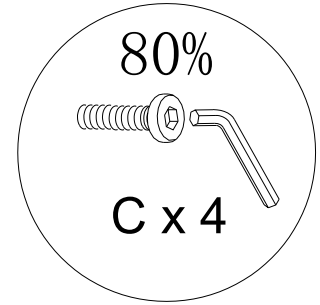
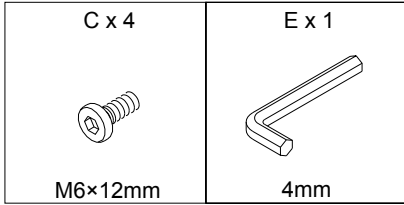


4

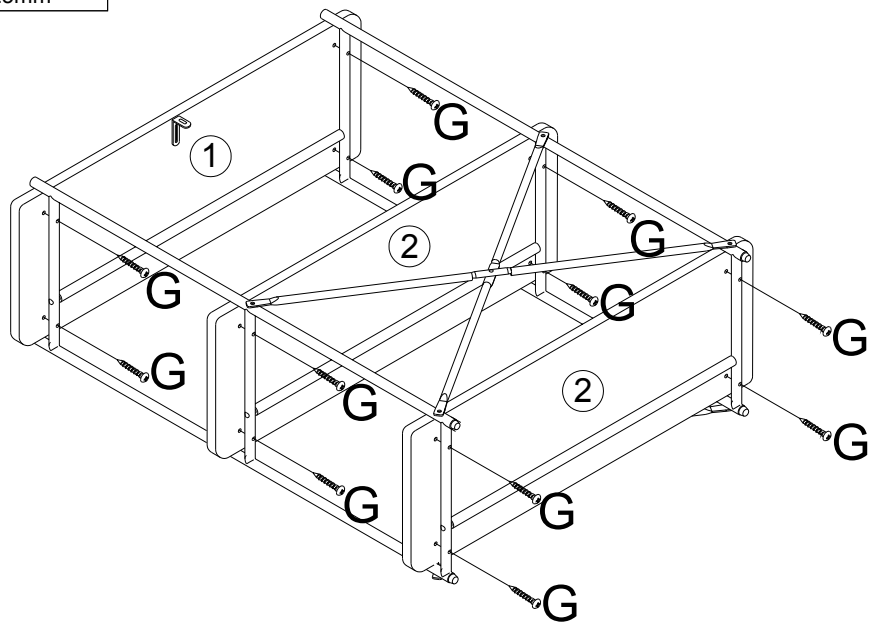
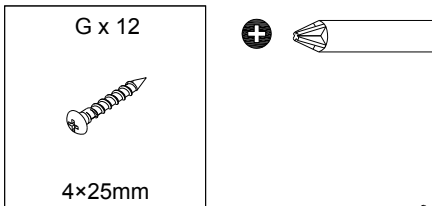
| | | | |
|---|---|---|--|
| B x 1 | D x 1 | E x 1 | F x 1 |
|  |  |  |  |
| M6x15mm | M6 | 4mm | 4mm |



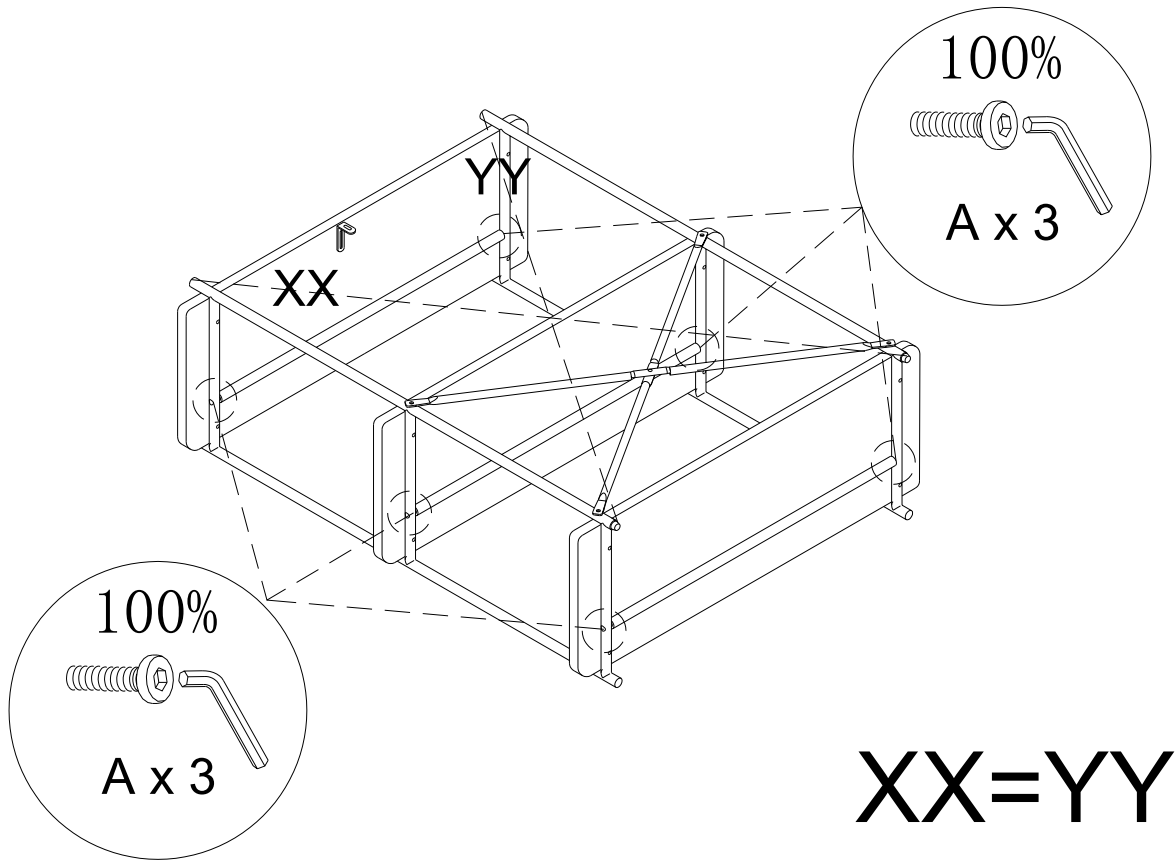
5



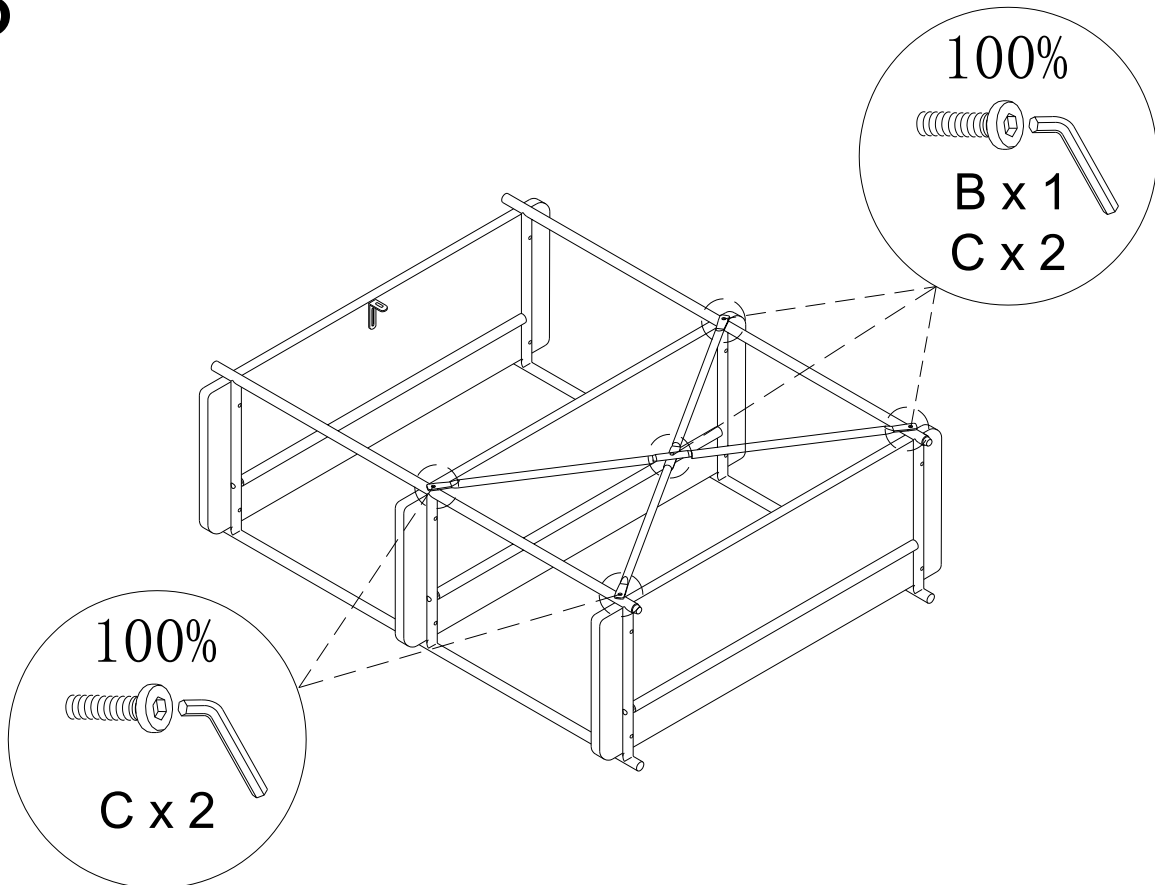
6



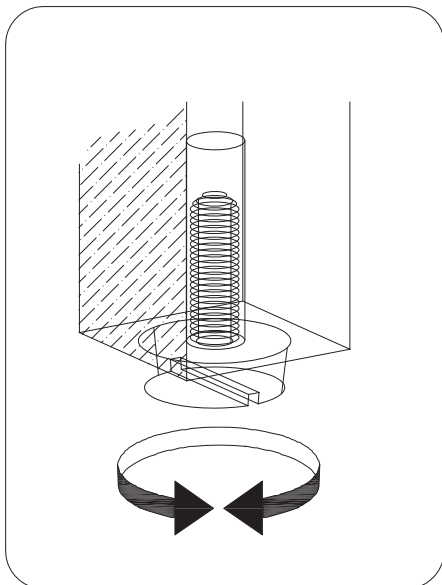
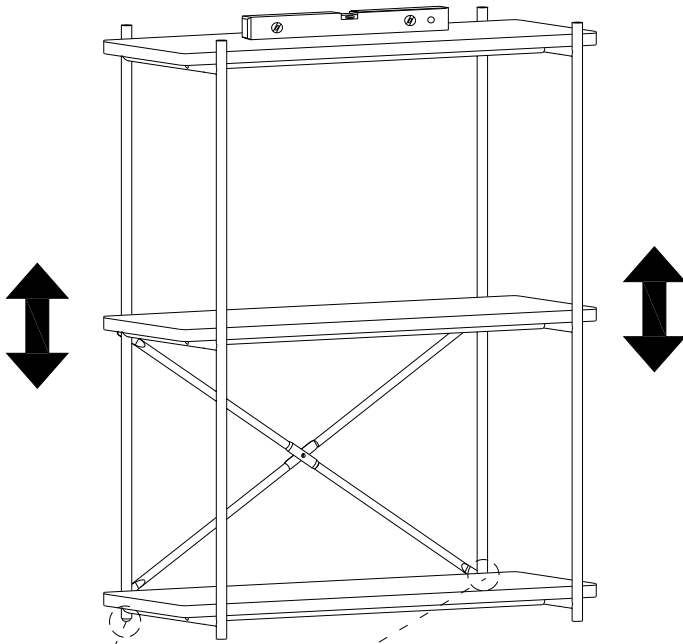
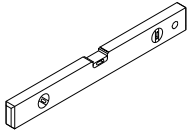
7



8



9



10

