

ASSEMBLY INSTRUCTIONS

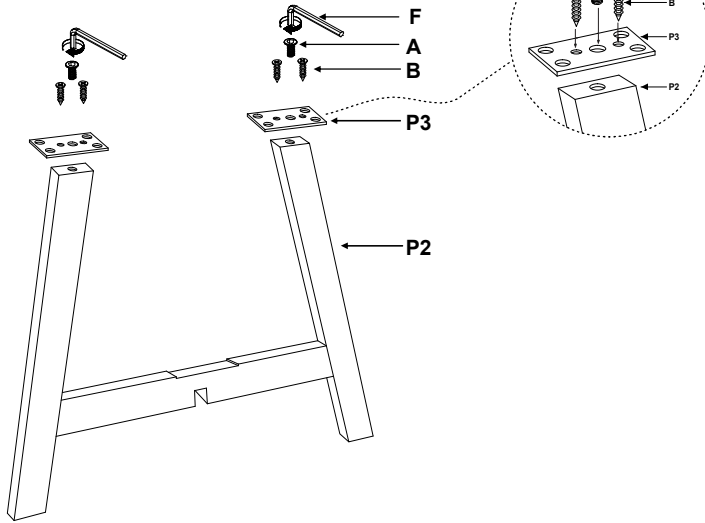
ITEM NO. - 1704642-01-0

PARTS LIST

P1	x1	P2	x2	P3	x4	P4	x1	A	x4	B	x17	C	x16	D	x16	E	x16	F	x1	G	x1
								M6x20		25MM		M8xO.D.20		M6x10		M8x20		#4		#5	

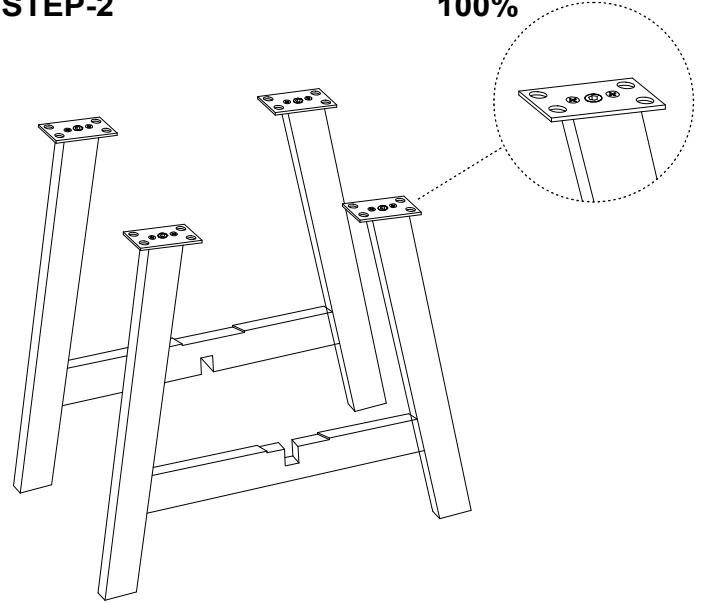
STEP-1

50%



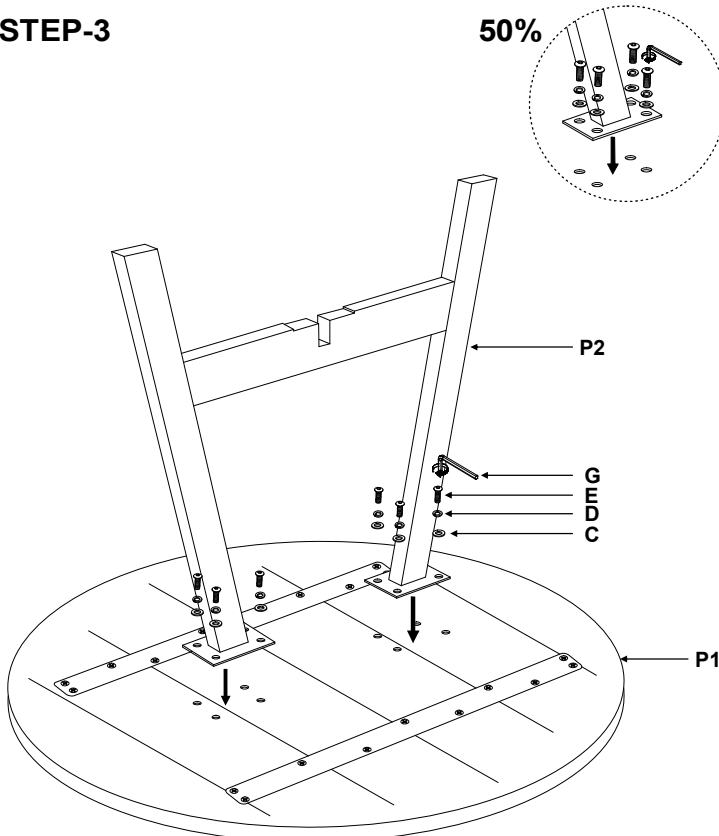
STEP-2

100%



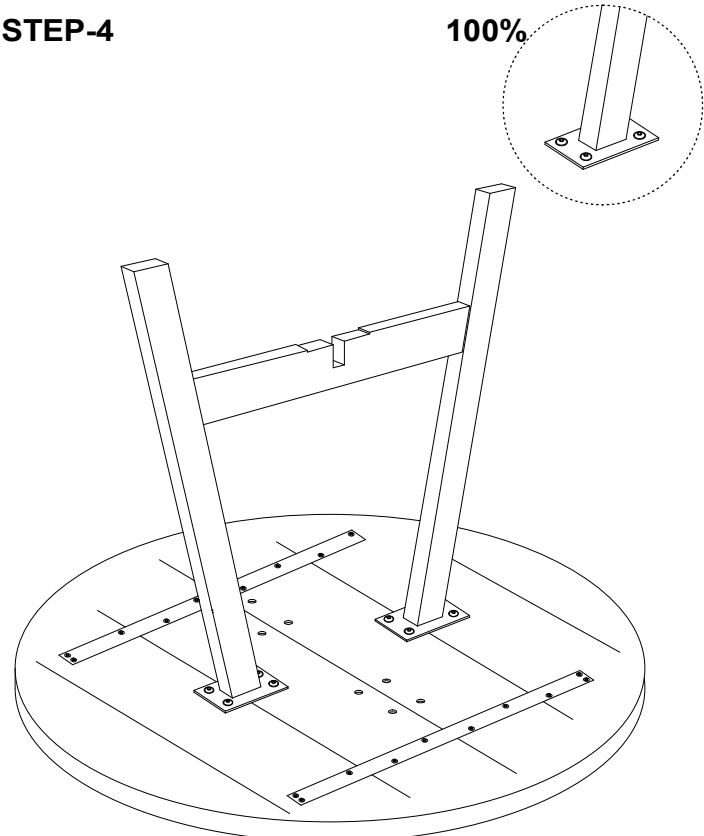
STEP-3

50%



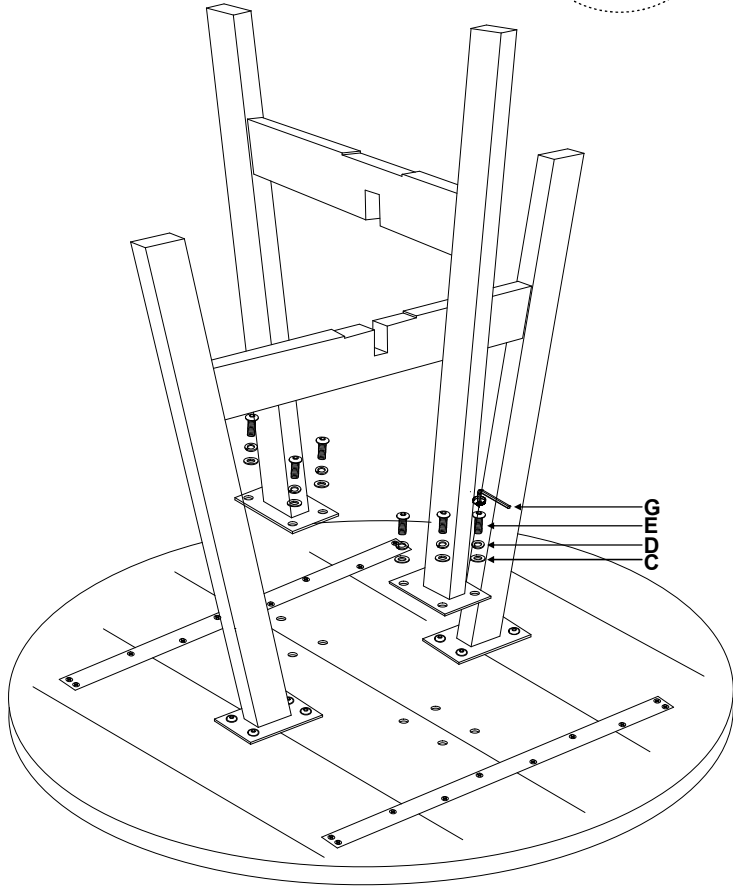
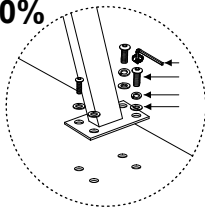
STEP-4

100%



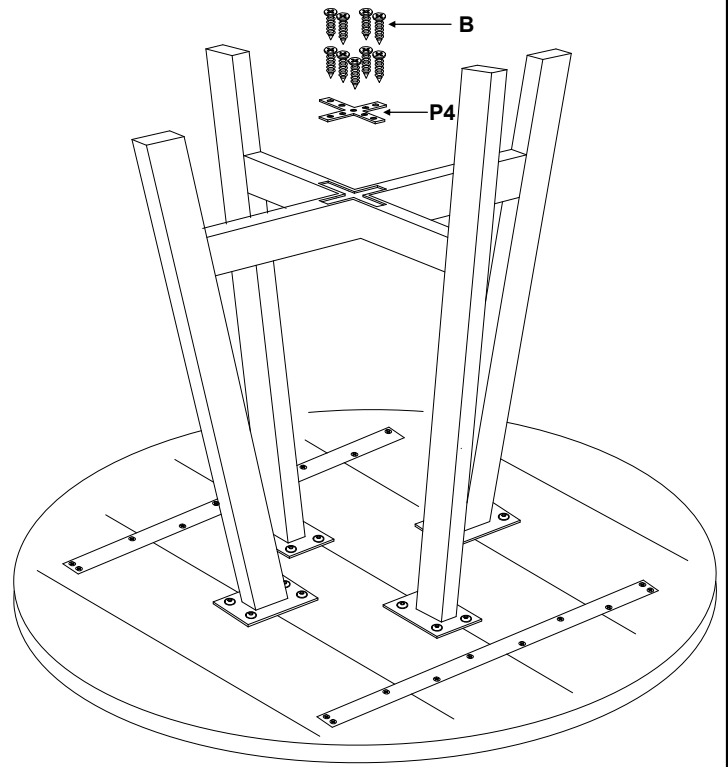
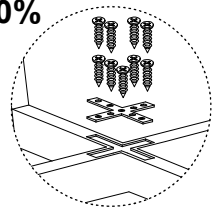
STEP-5

100%



STEP-6

100%



LOADABILITY

