

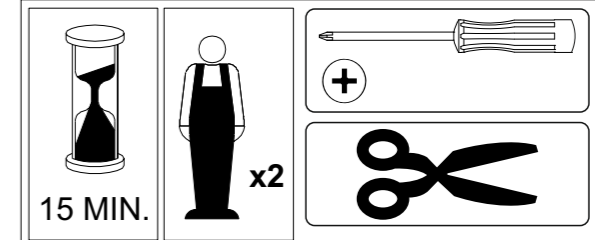
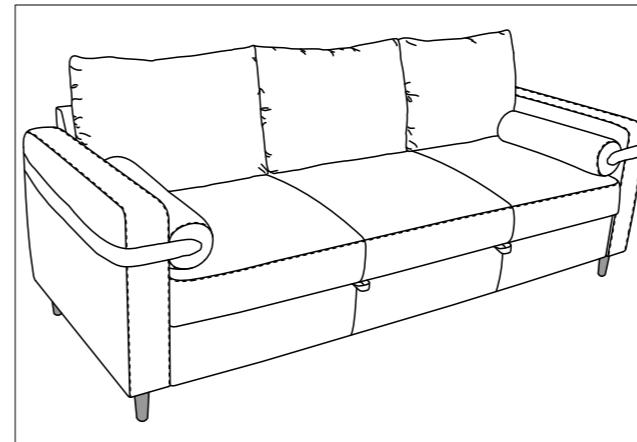
Etiqueta de Rastreabilidade	
Código de barras	
Nome artigo	
Q.M.	
ID (formato YYWW)	
Revestimento*Cor	
Nº fabricante Insp.Final	

Jotex

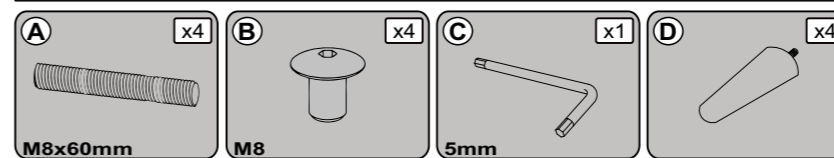
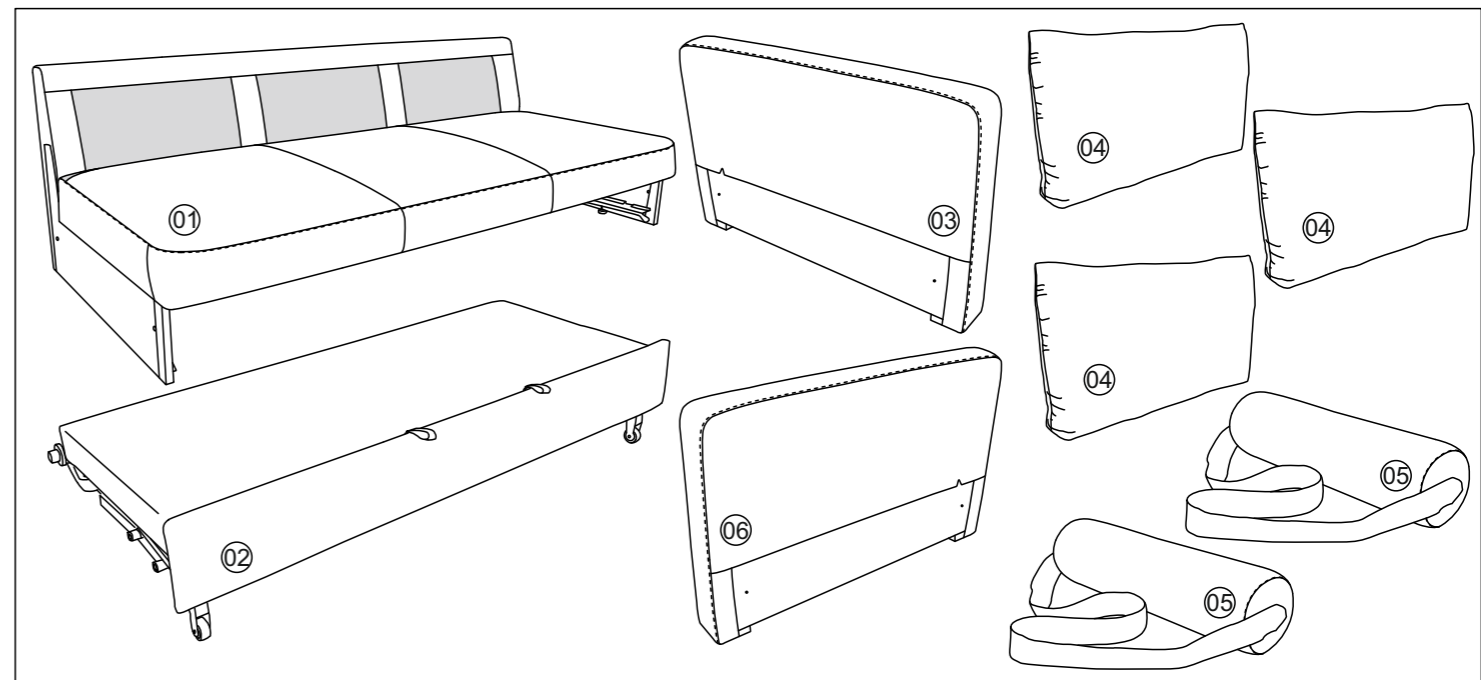
ASSEMBLY INSTRUCTIONS 1705172 SOFA 3P

1115 - CANAPÉ 3P CONVERTIBLE

V02 - 11/08/2022



BEFORE STARTING, REFER TO THE
ASSEMBLING ADVICE IN ANNEX



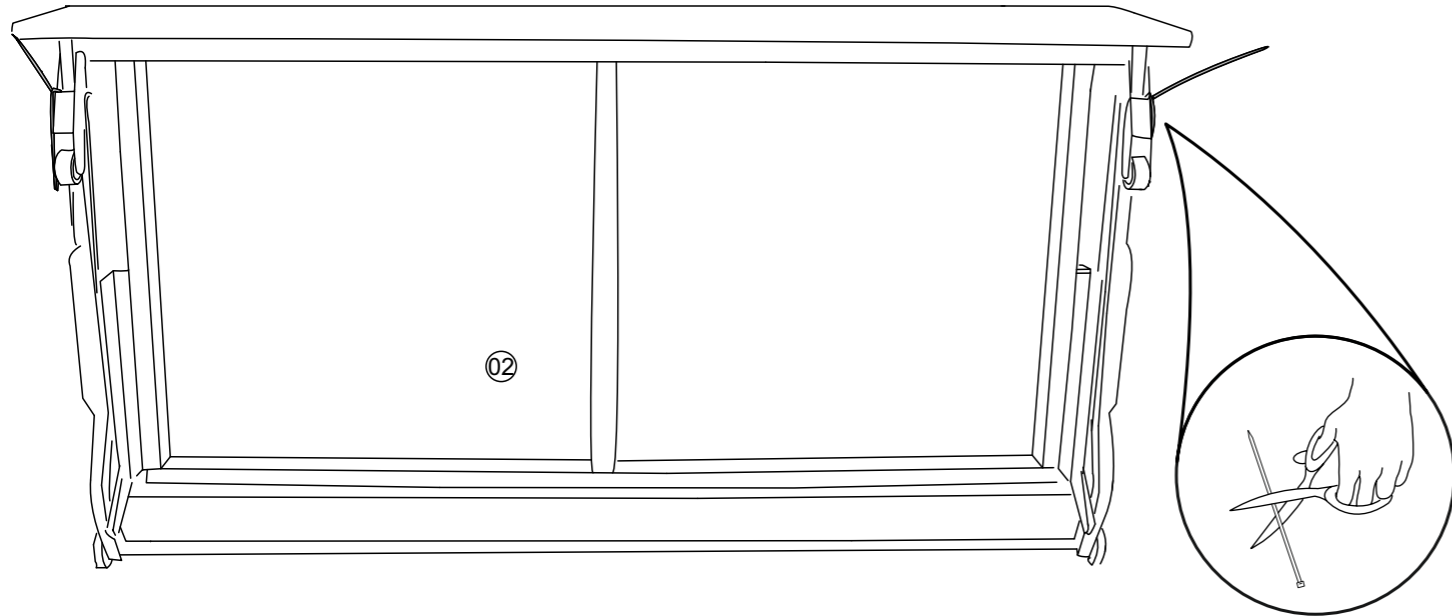
ENGLISH

In case of claim, thank you to transmit the information of the label fixed on the article;

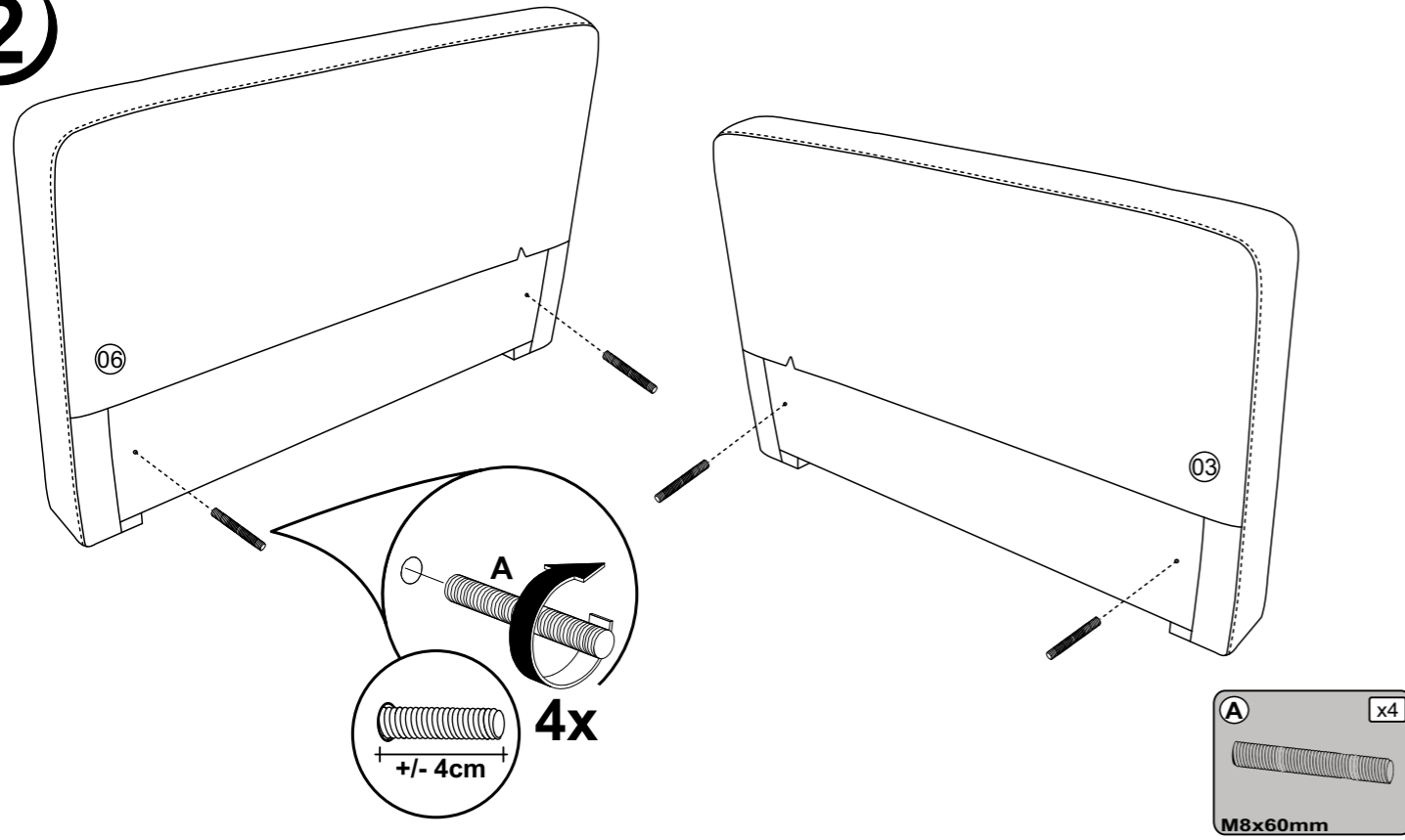
Jotex

ASSEMBLY INSTRUCTIONS
1705172 SOFA 3P

1



2



Jotex

ASSEMBLY INSTRUCTIONS
1705172 SOFA 3P

ENGLISH

ASSEMBLY ADVICE :

- 1 > CAREFULLY READ THE ASSEMBLY INSTRUCTION.
- 2 > IDENTIFY THE COMPONENTS OF THE FURNITURE.
- 3 > GROUP AND CHECK THE HARDWARE.
- 4 > USE THE REQUIRED TOOLS.
- 5 > CREATE AN ASSEMBLY ZONE.
- 6 > MAKE THE ASSEMBLY.



NEVER FORCE THE CONNECTIONS.
RE-TIGHTEN THE SCREWS AFTER FEW DAYS.
PLEASE RETAIN THE AI LEAFLET FOR FUTURE REFERENCE,
THE AI CONTAINS INFORMATION WHEN CLAIMING
FOR MISSING PARTS.

CLEANING ADVICE:

- 1 > CAREFULLY REMOVE THE DUST.
- 2 > USE A SOFT, CLEAN DAMP CLOTH WITH SOAPY WATER.



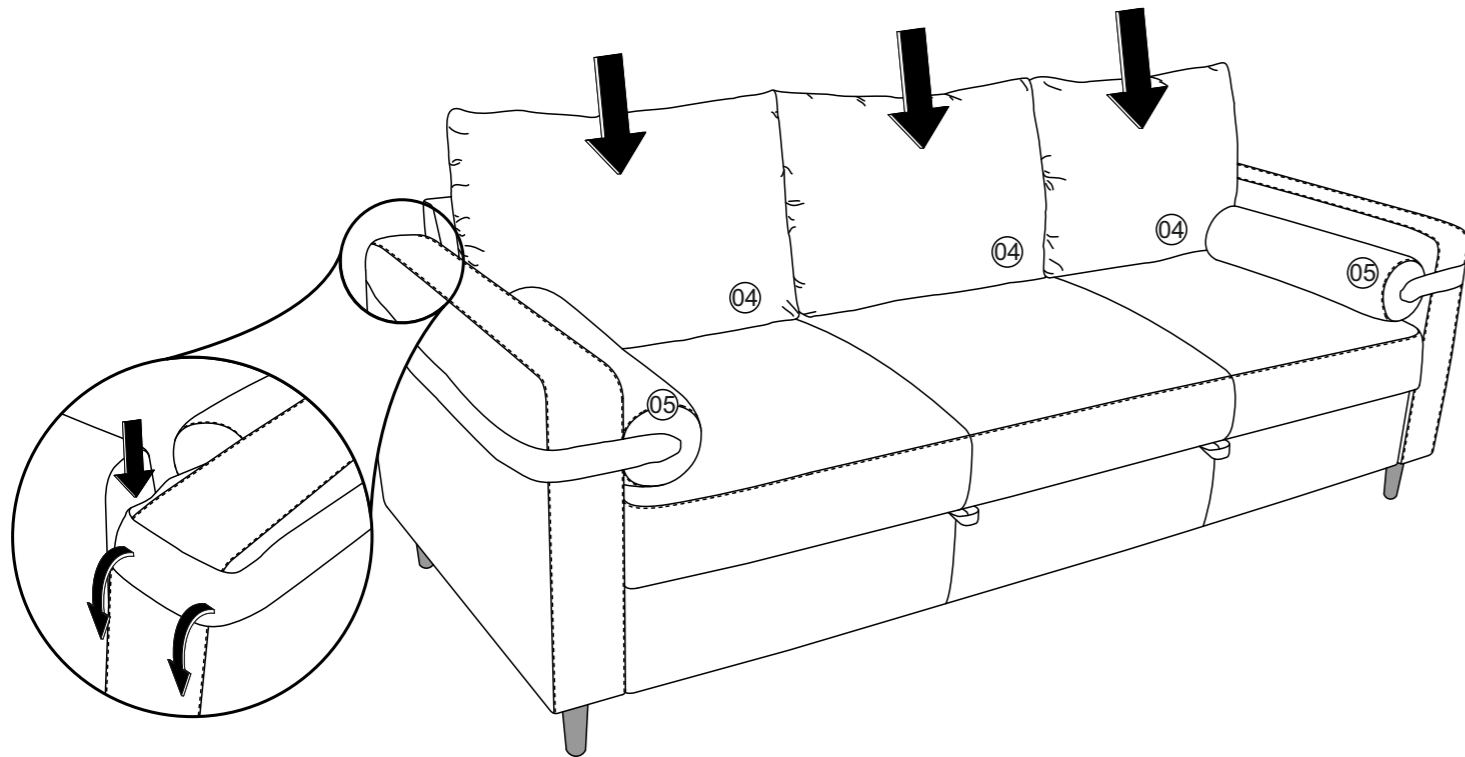
NEVER USE ABRASIVE PRODUCTS
OR SOLVENTS.
DO NOT APPLY EXCESSIVE PRESSURE
WHEN USING THE DAMP CLOTH.

	PAPER DECOR	LAMINATED SURFACES	LACQUERED SURFACE	VARNISHED WOOD	LEATHER TEXTILE
SOAPY WATER (NEUTRAL SOAP)	○	○	○	○	○
WATER WITH DETERGENT		○	○		
SPECIFIC SUPPLIER CLEANING					○

Jotex

ASSEMBLY INSTRUCTIONS
1705172 SOFA 3P

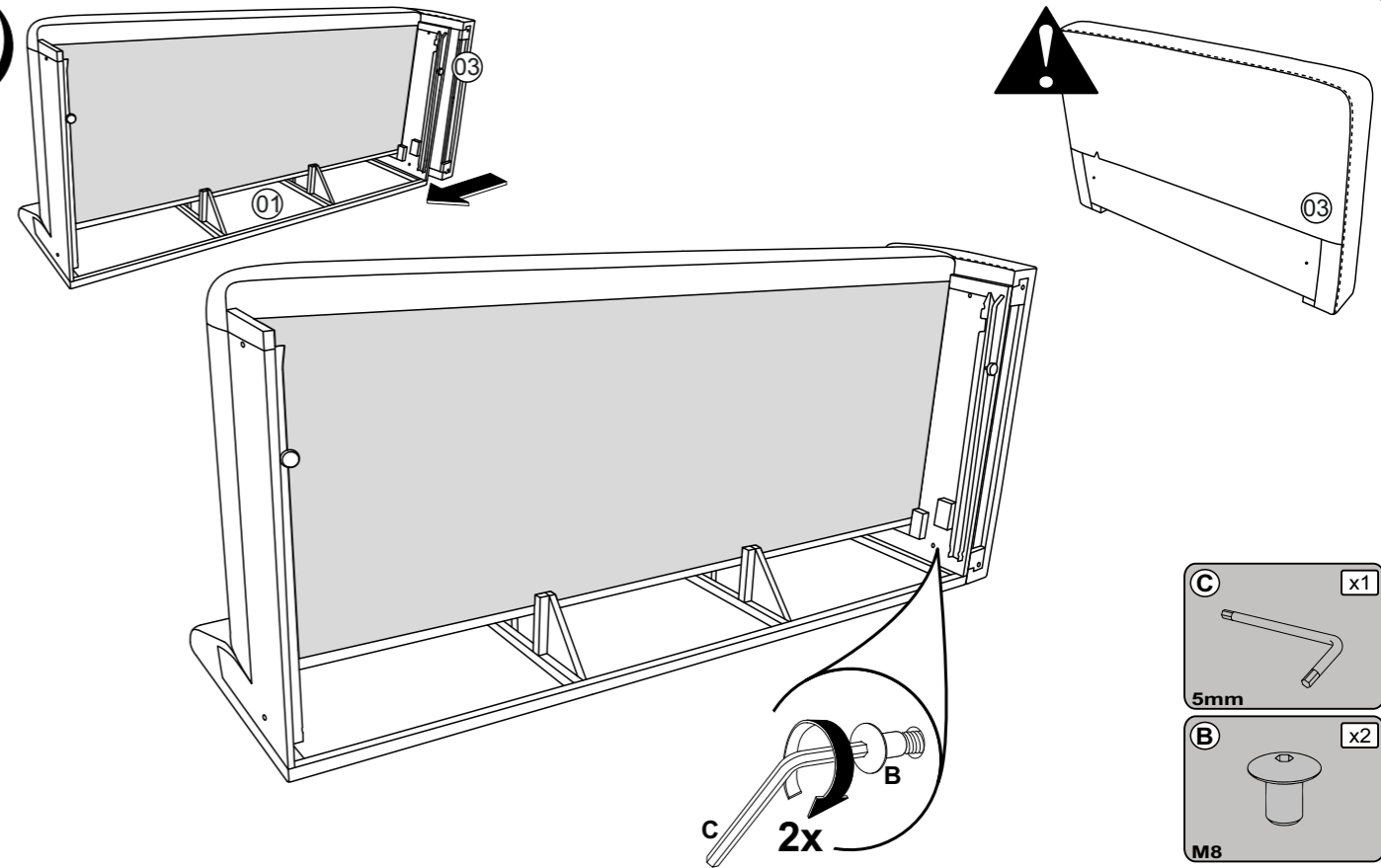
8)



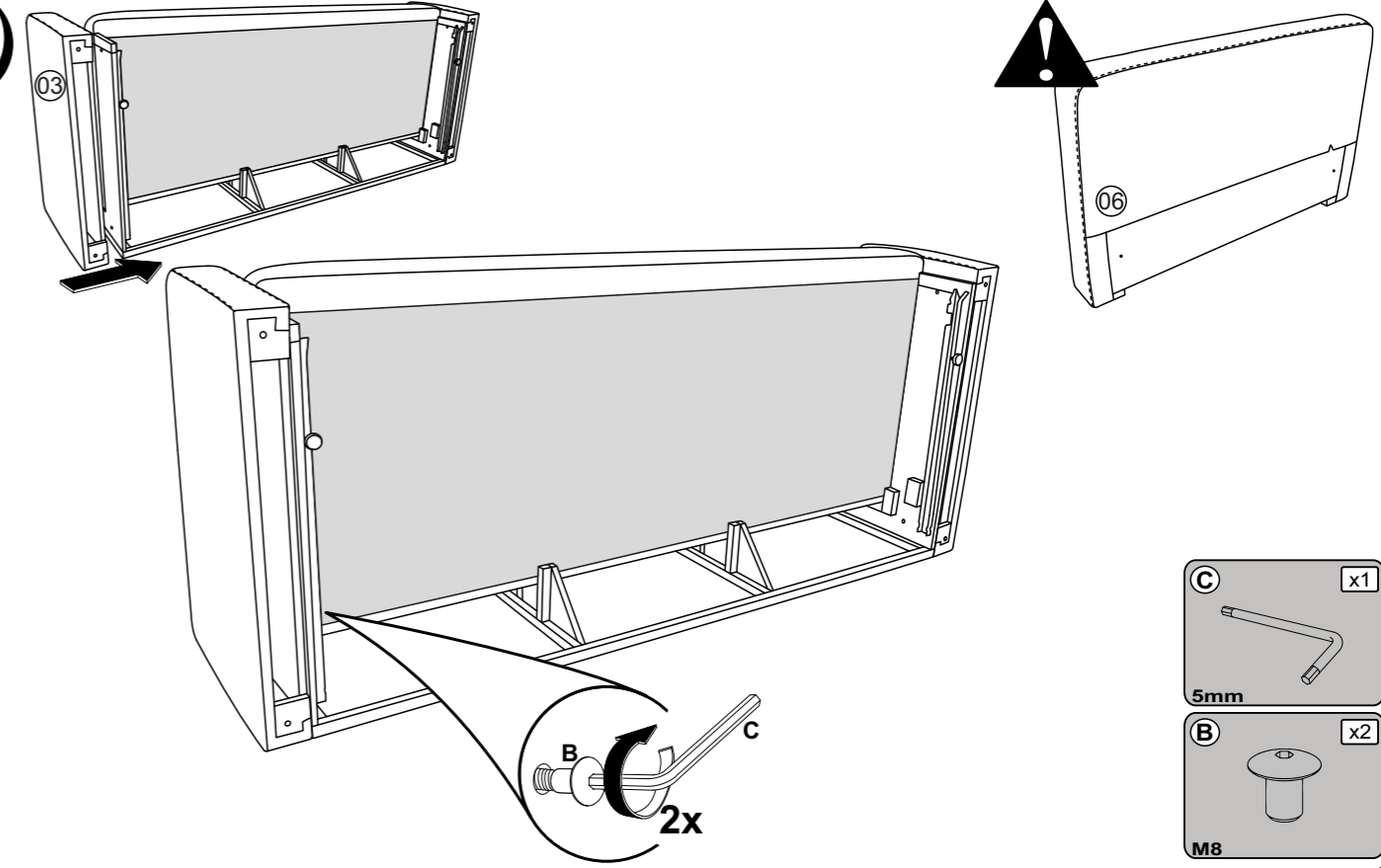
Jotex

ASSEMBLY INSTRUCTIONS
1705172 SOFA 3P

3)



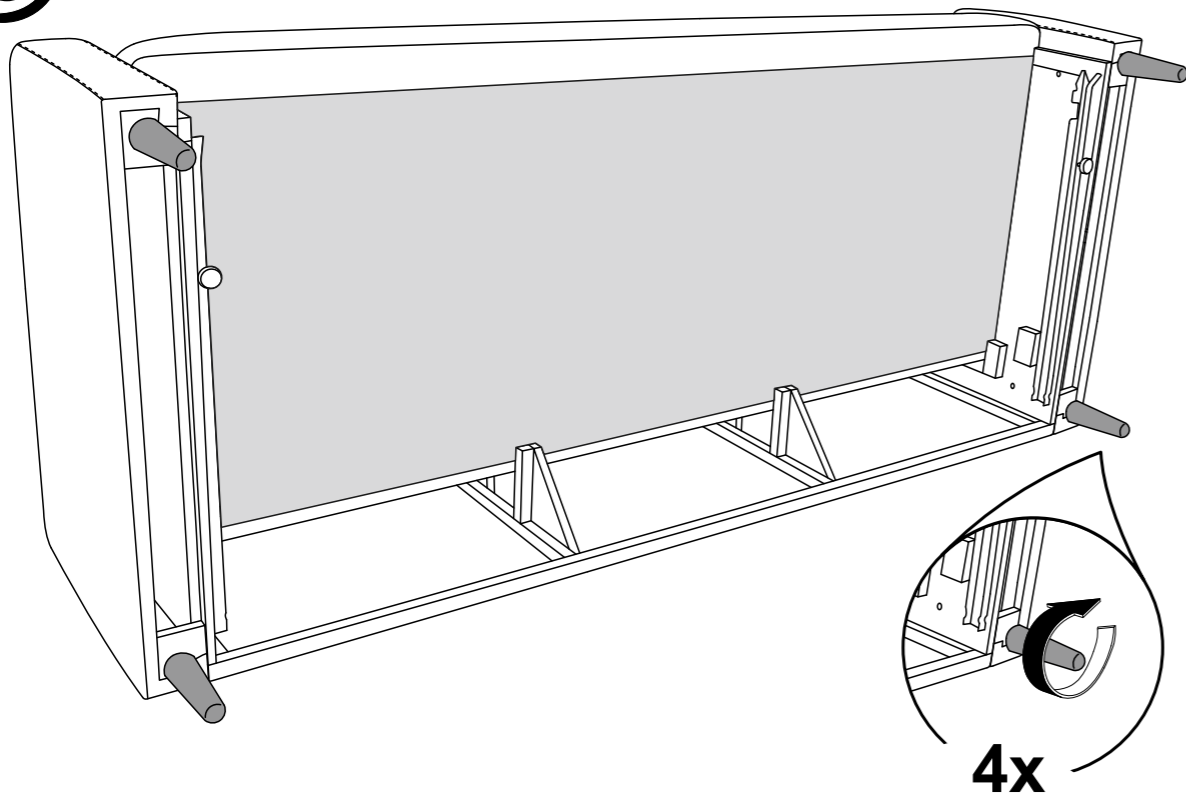
4)



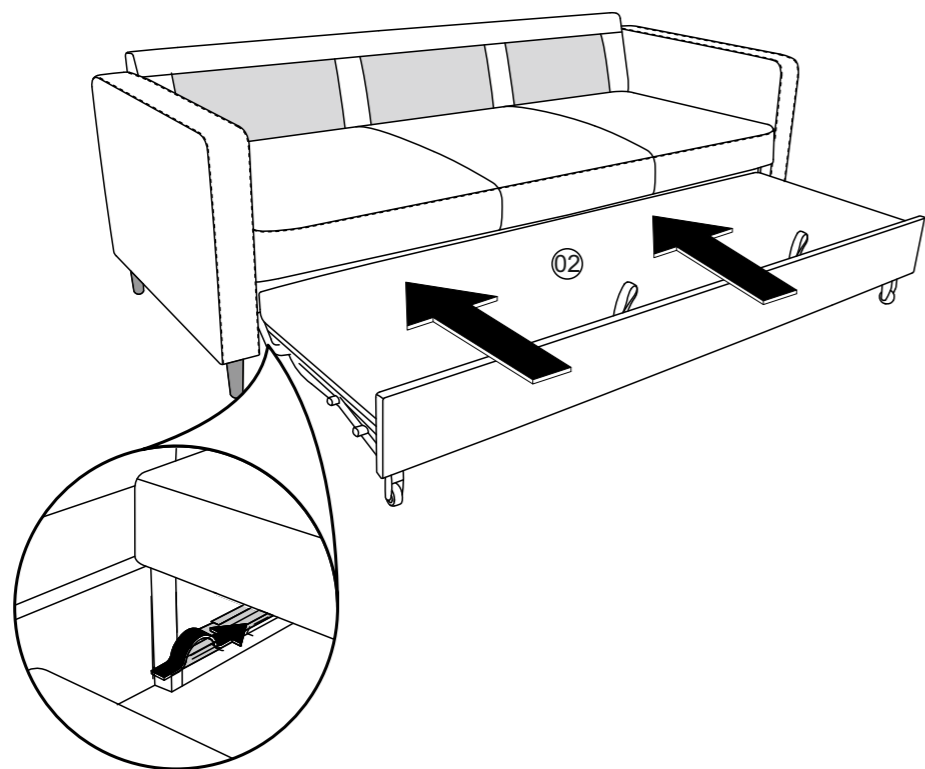
Jotex

ASSEMBLY INSTRUCTIONS
1705172 SOFA 3P

5)



6)



Jotex

ASSEMBLY INSTRUCTIONS
1705172 SOFA 3P

7)

