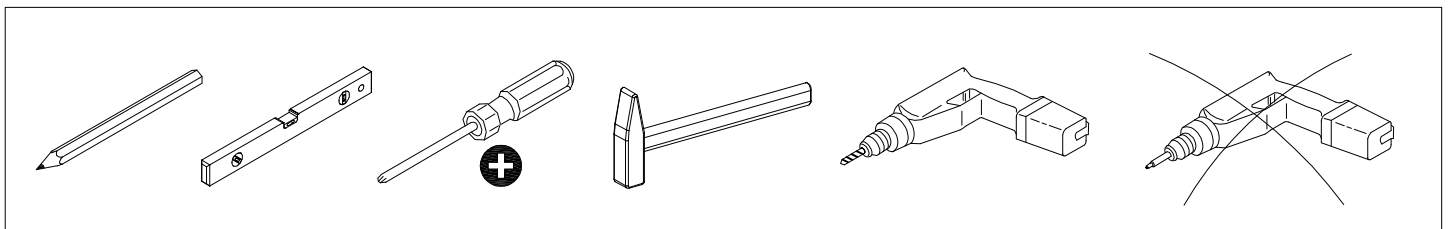
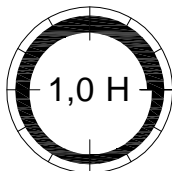
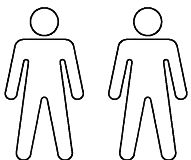
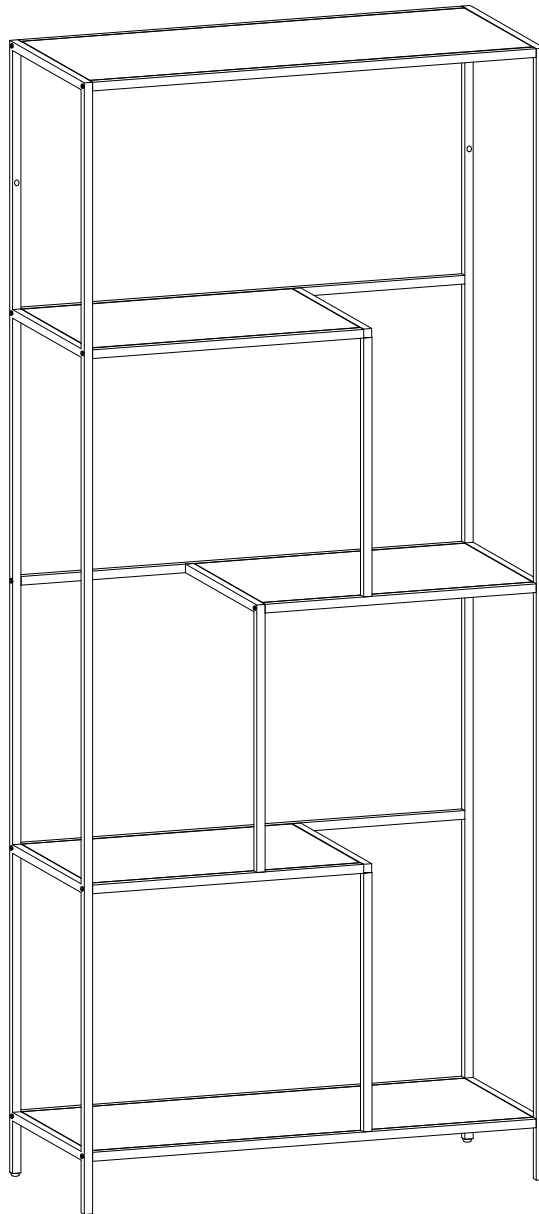
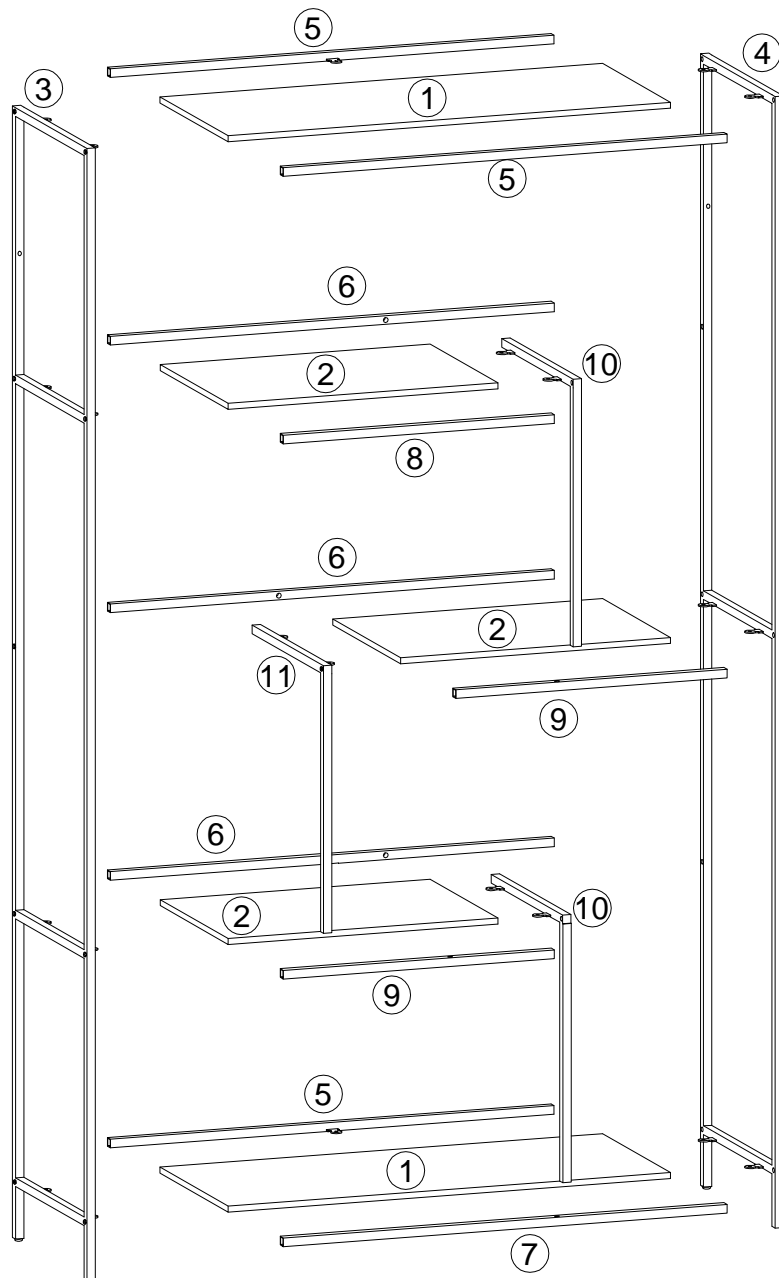


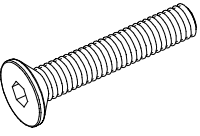
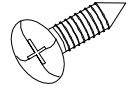
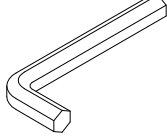
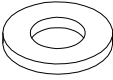
INFINITY



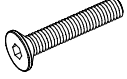
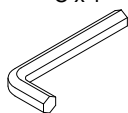
			✓
①	2	693x293x9	
②	3	423x293x9	
③	1	1700x320x39	
④	1	1700x320x39	
⑤	3	694x39x13	
⑥	3	694x13x13	

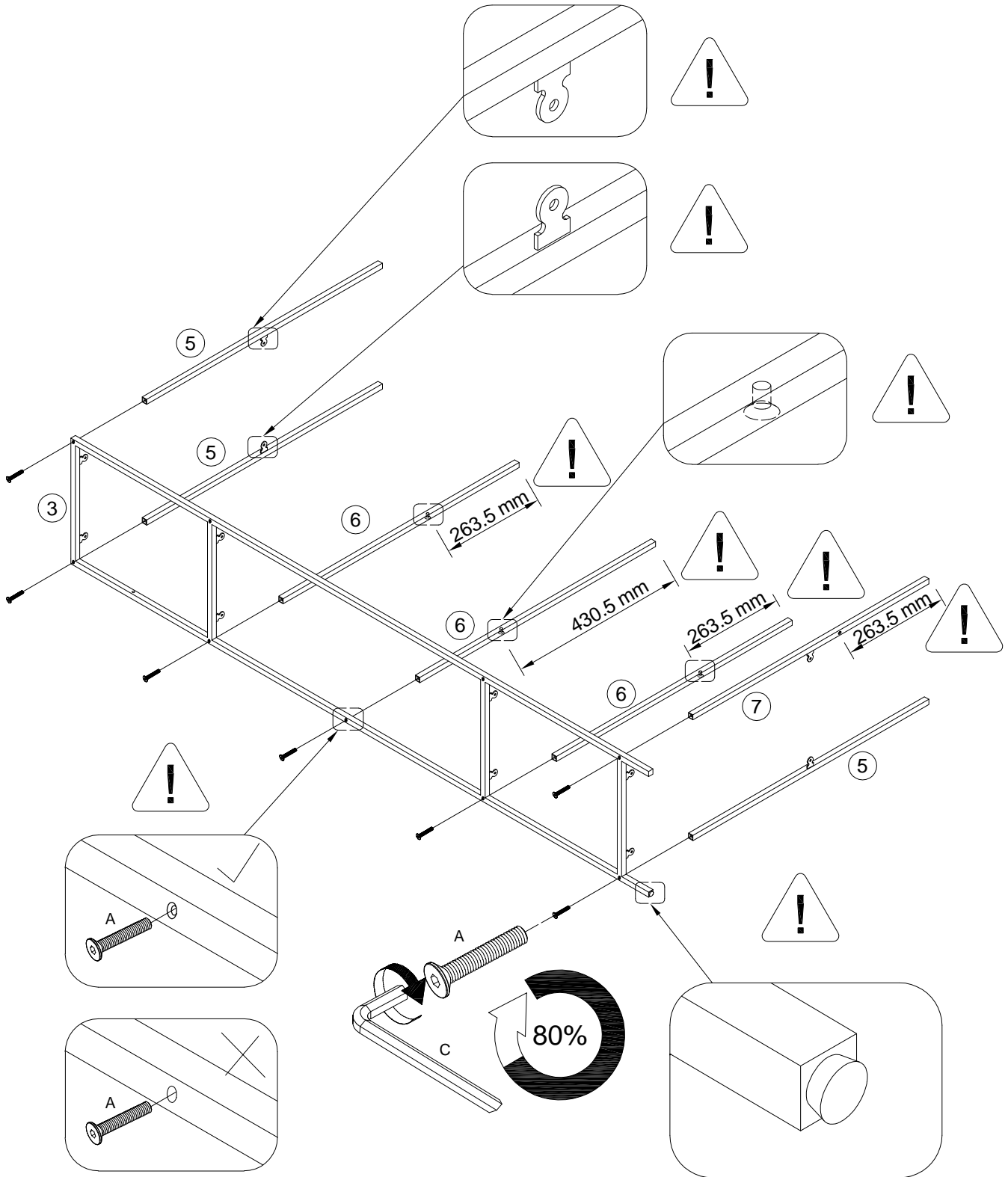
			✓
⑦	1	694x39x13	
⑧	1	424x13x13	
⑨	2	424x13x13	
⑩	2	307x403x39	
⑪	1	307x403x39	



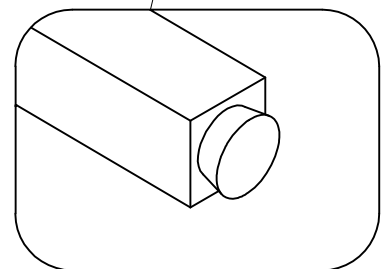
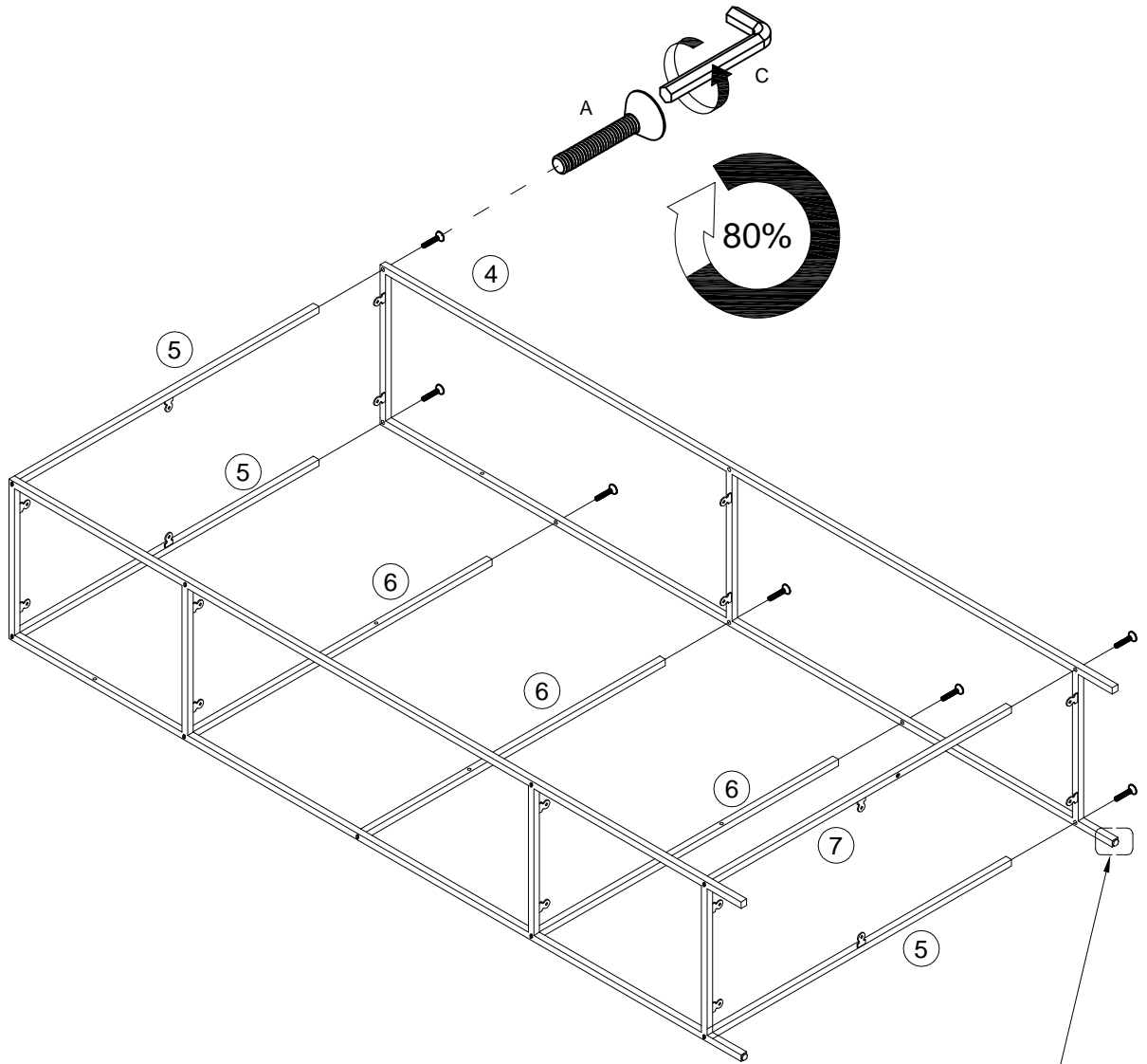
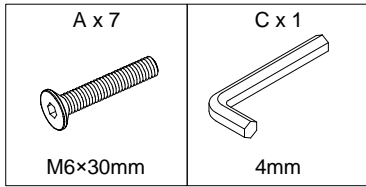
<p>A x 26</p>  <p>M6×30mm</p>	<p>B x 24</p>  <p>Ø4×10mm</p>	<p>C x 1</p>  <p>4mm</p>	<p>D x 24</p>  <p>Ø4/Ø9mm</p>
--	--	---	--

1

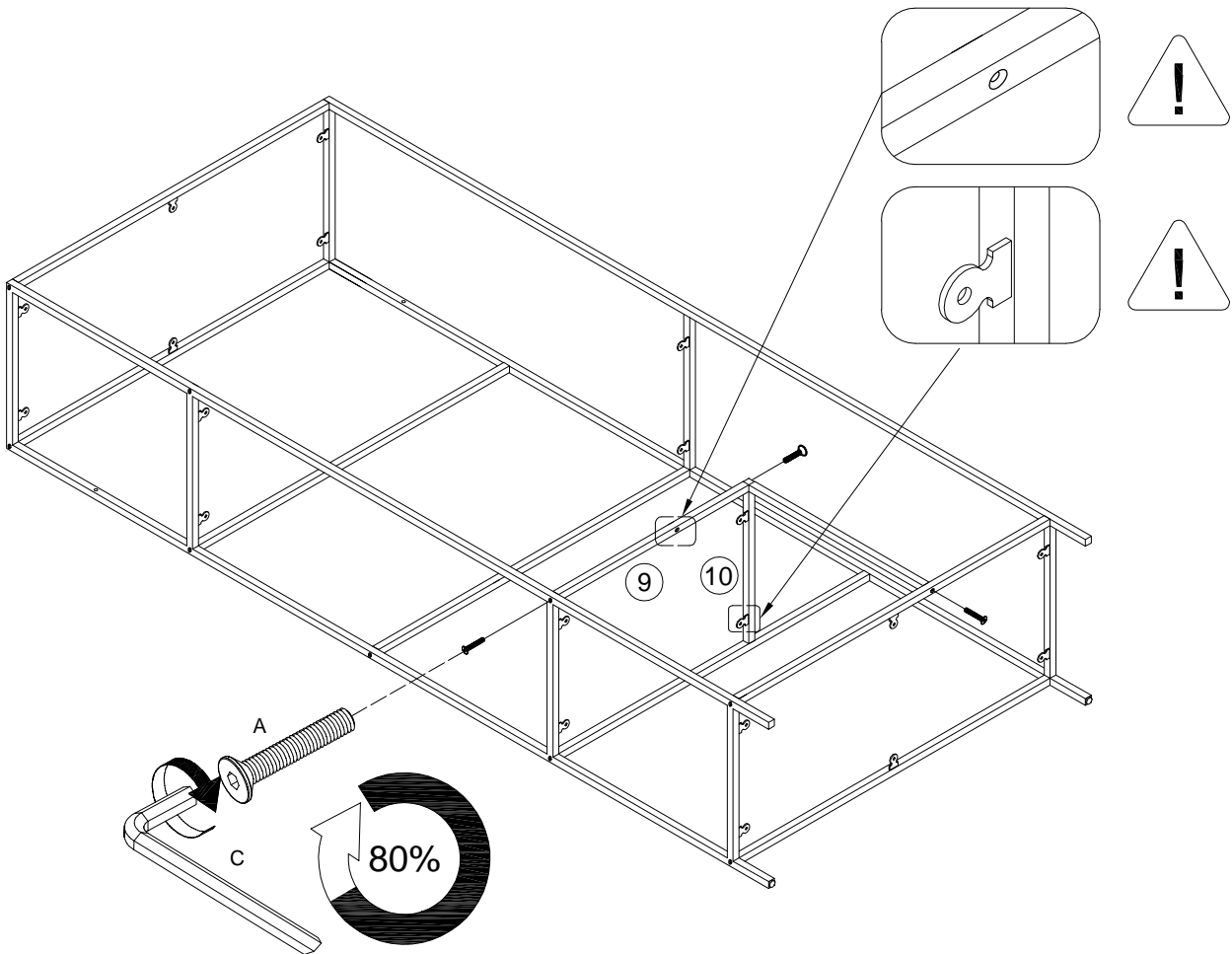
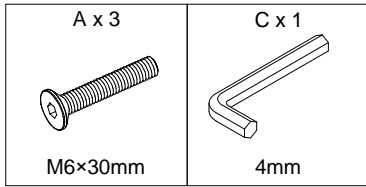
A x 7  M6x30mm	C x 1  4mm
---	---



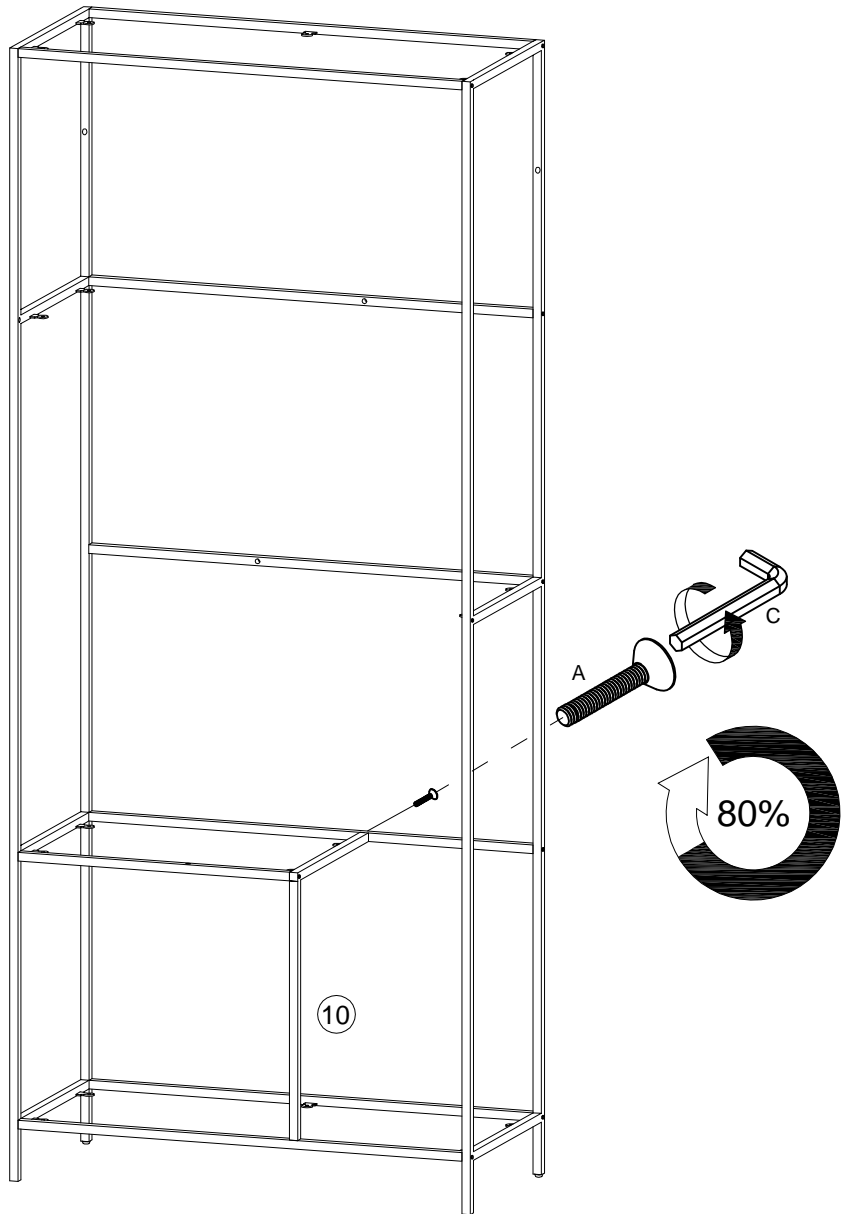
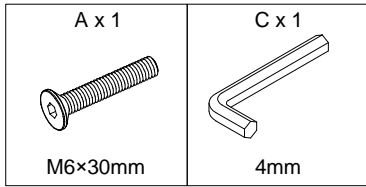
2



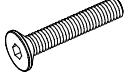
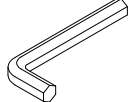
3

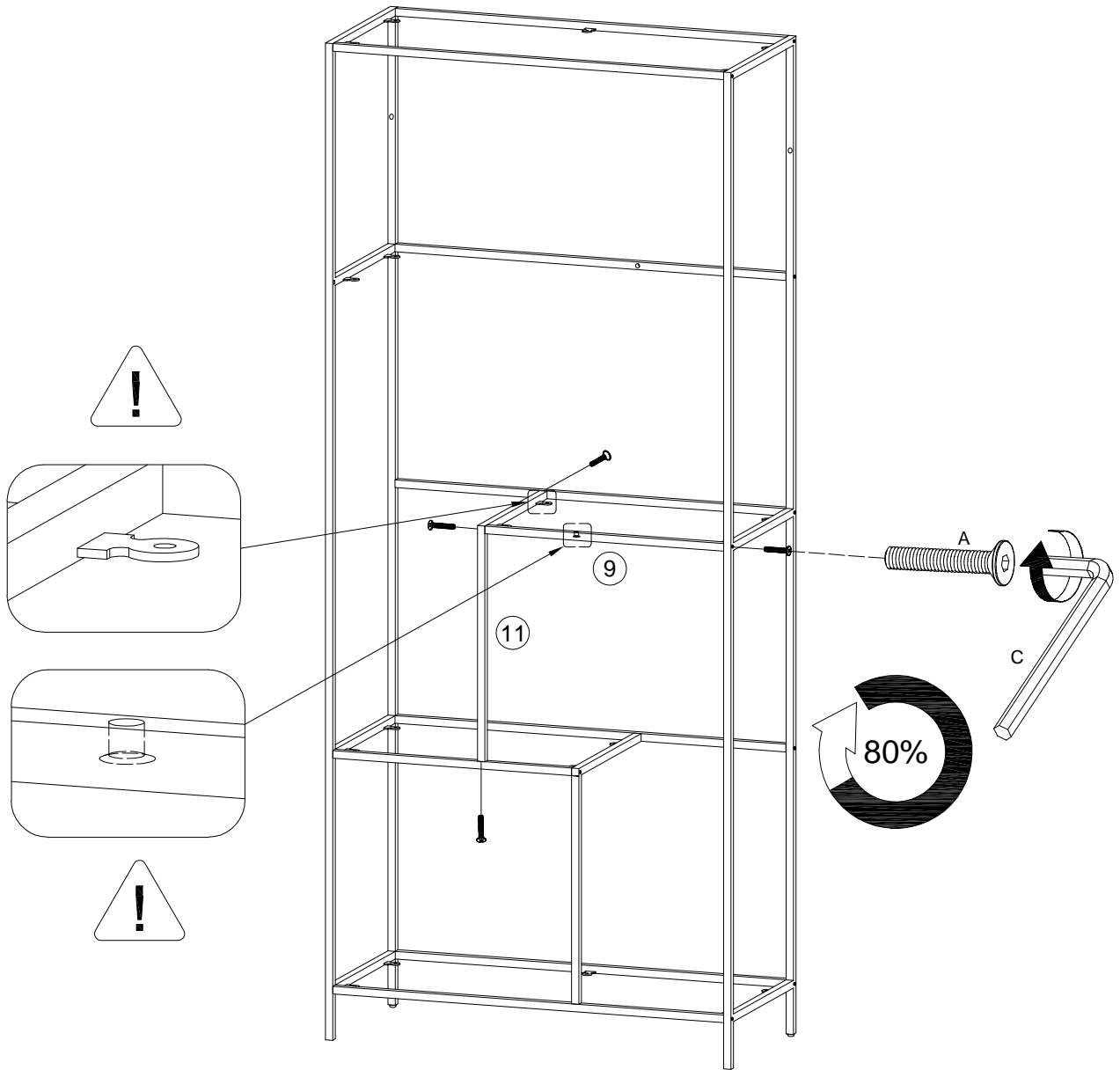


4

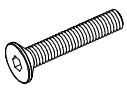
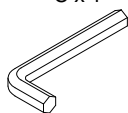


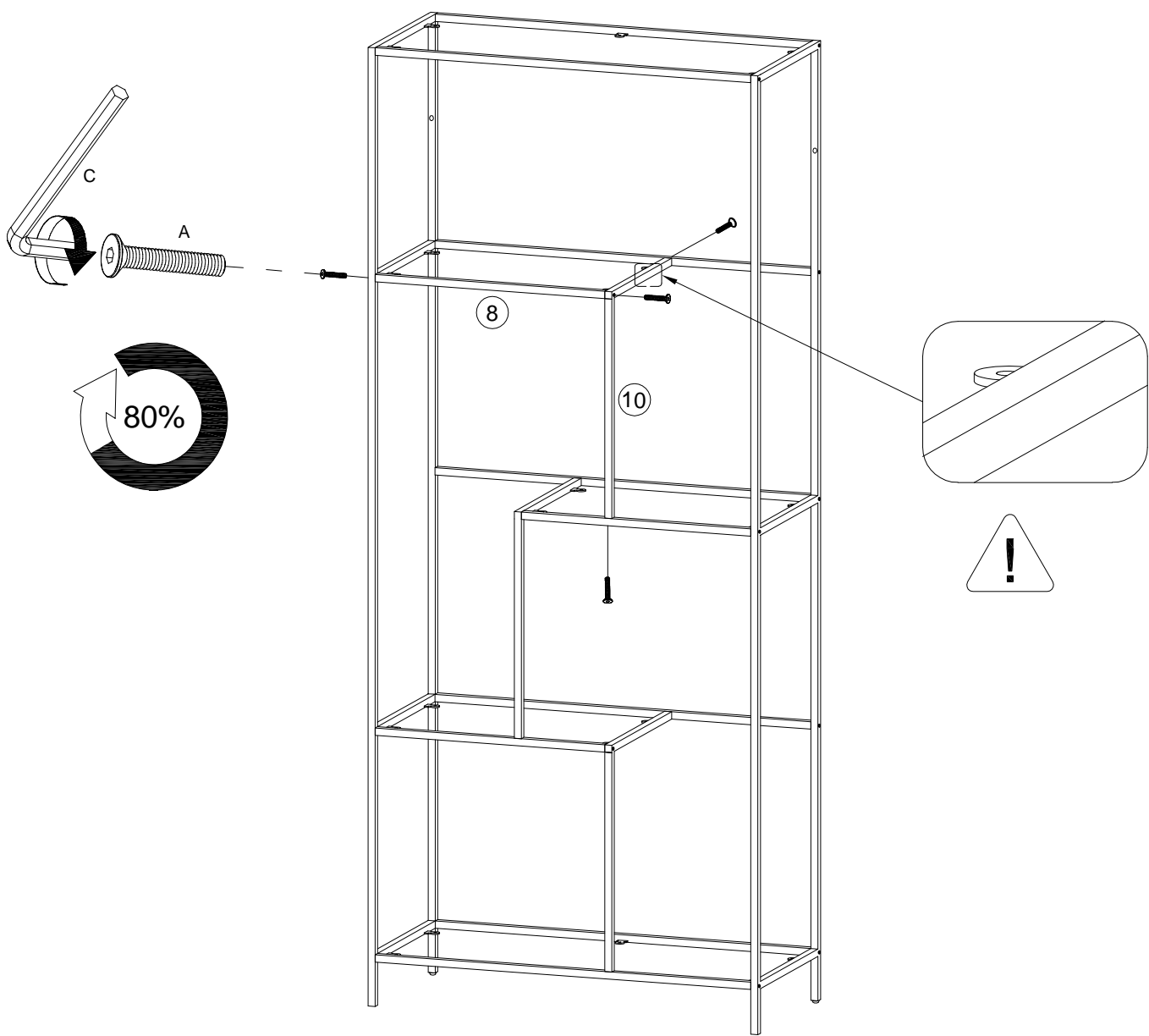
5

A x 4  M6x30mm	C x 1  4mm
---	---

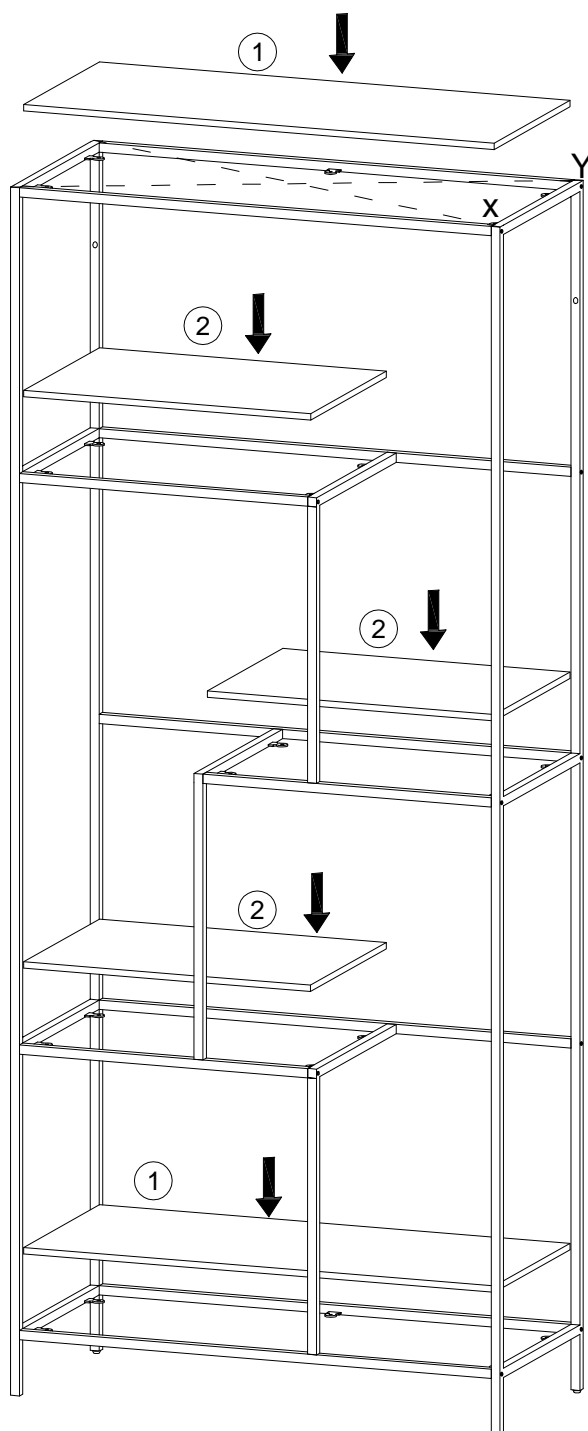
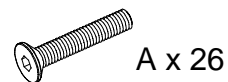
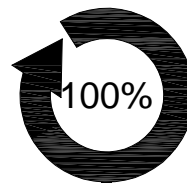


6

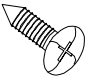
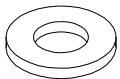
A x 4  M6x30mm	C x 1  4mm
---	---

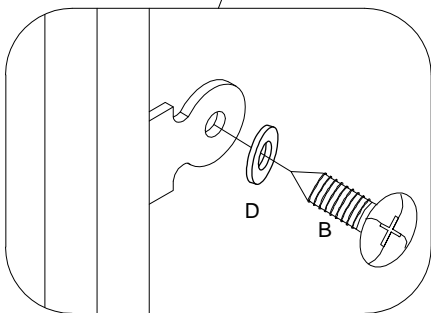
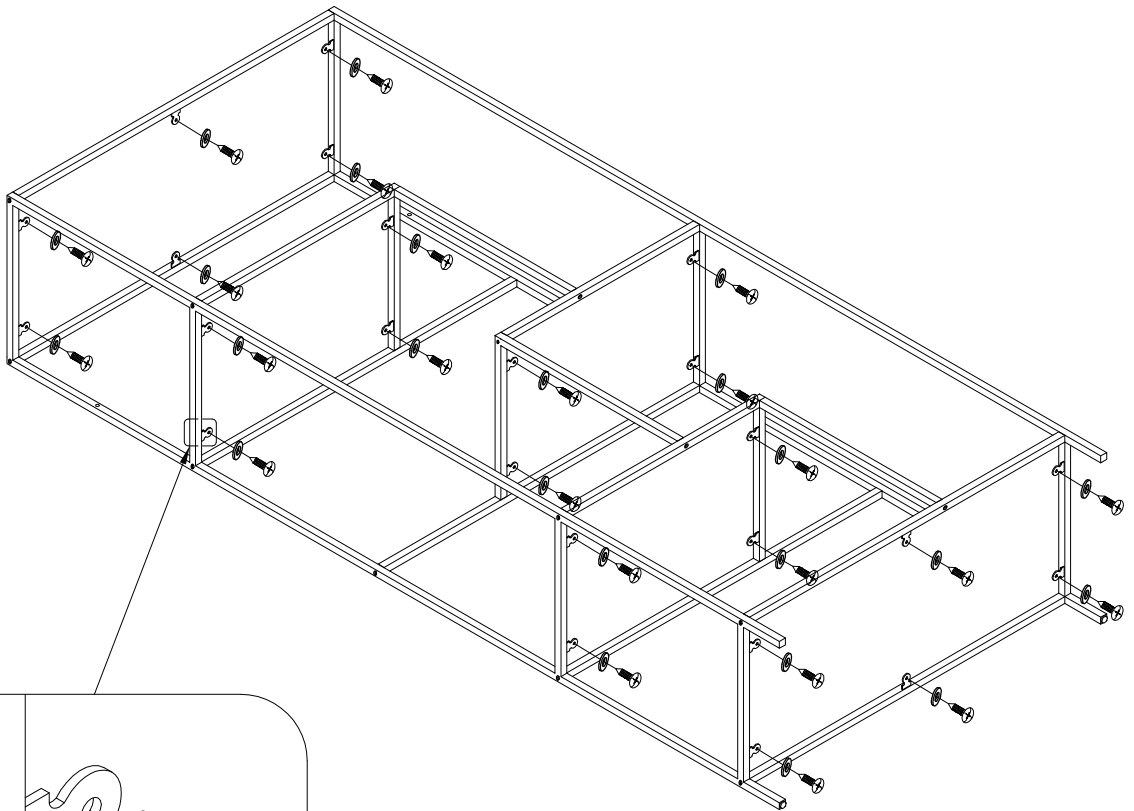
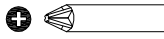


7

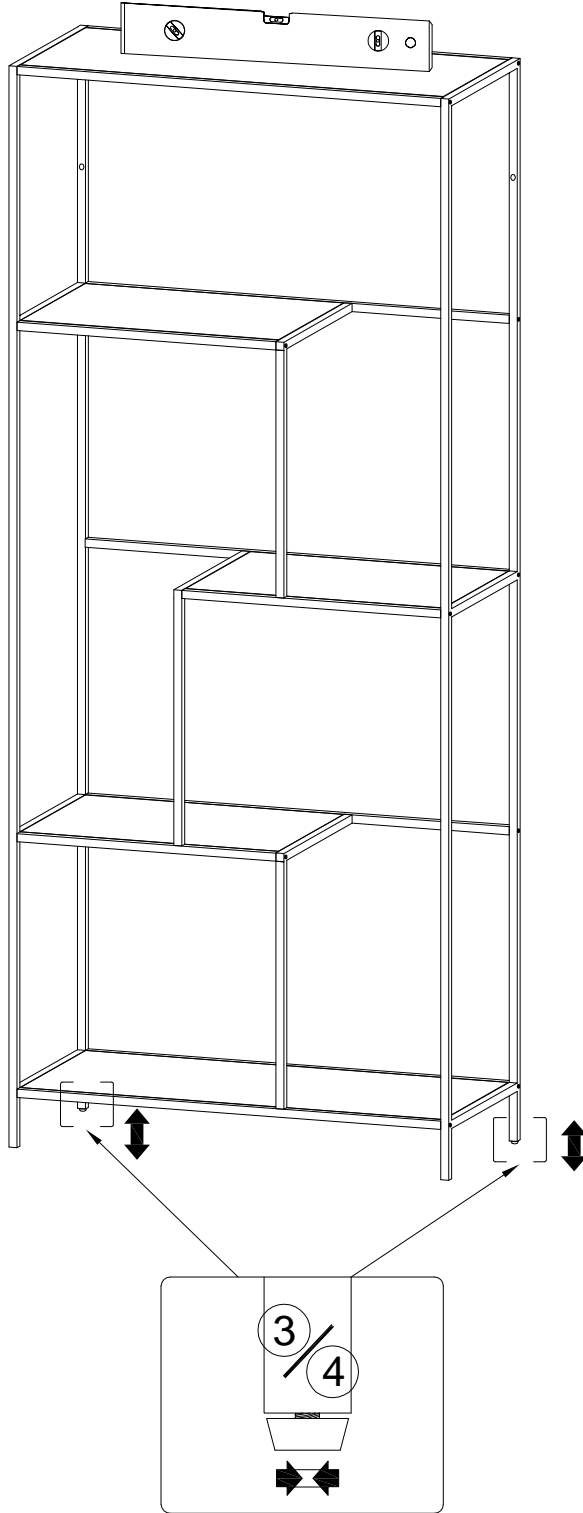
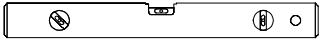


8

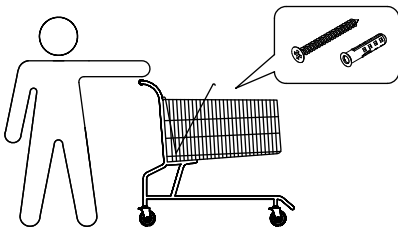
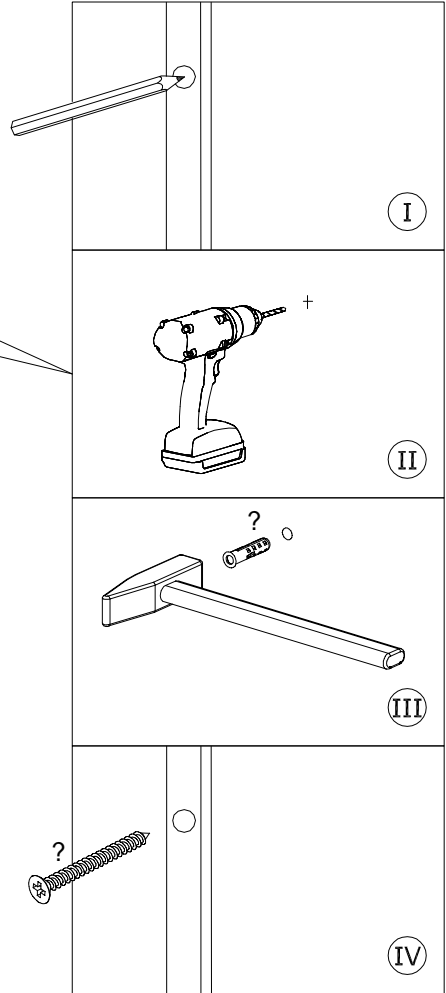
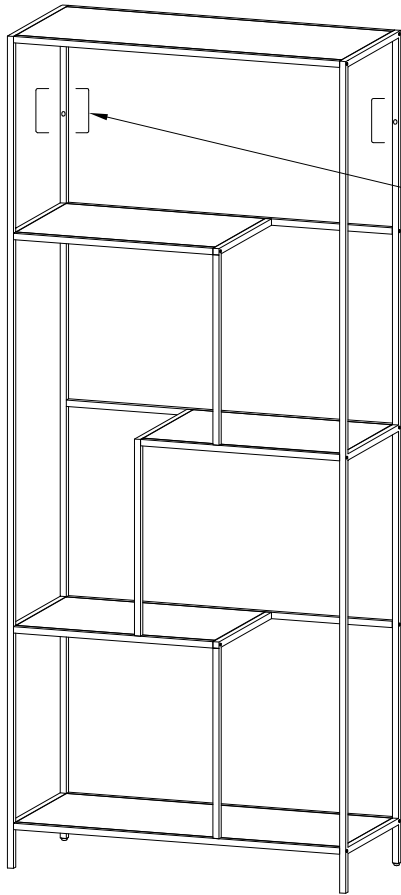
B x 24  Ø4x10mm	D x 24  Ø4/Ø9mm
--	--



9



10



11

