


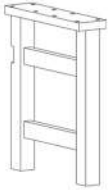

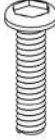



ASSEMBLY INSTRUCTION

Perth Console Table, Nature, Mango

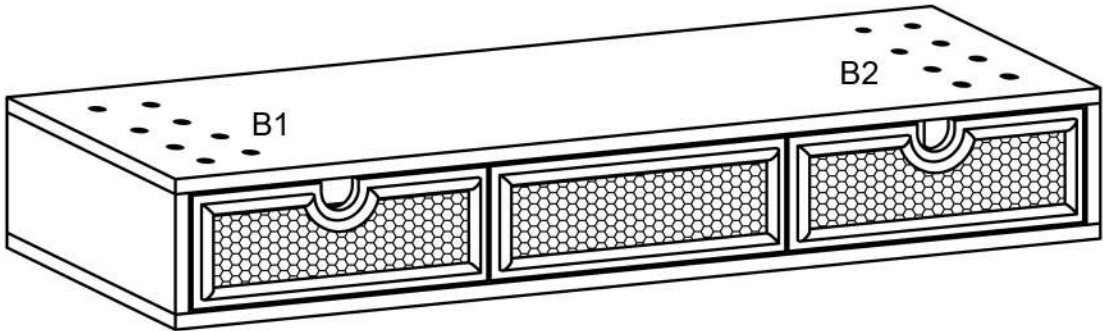
82054733



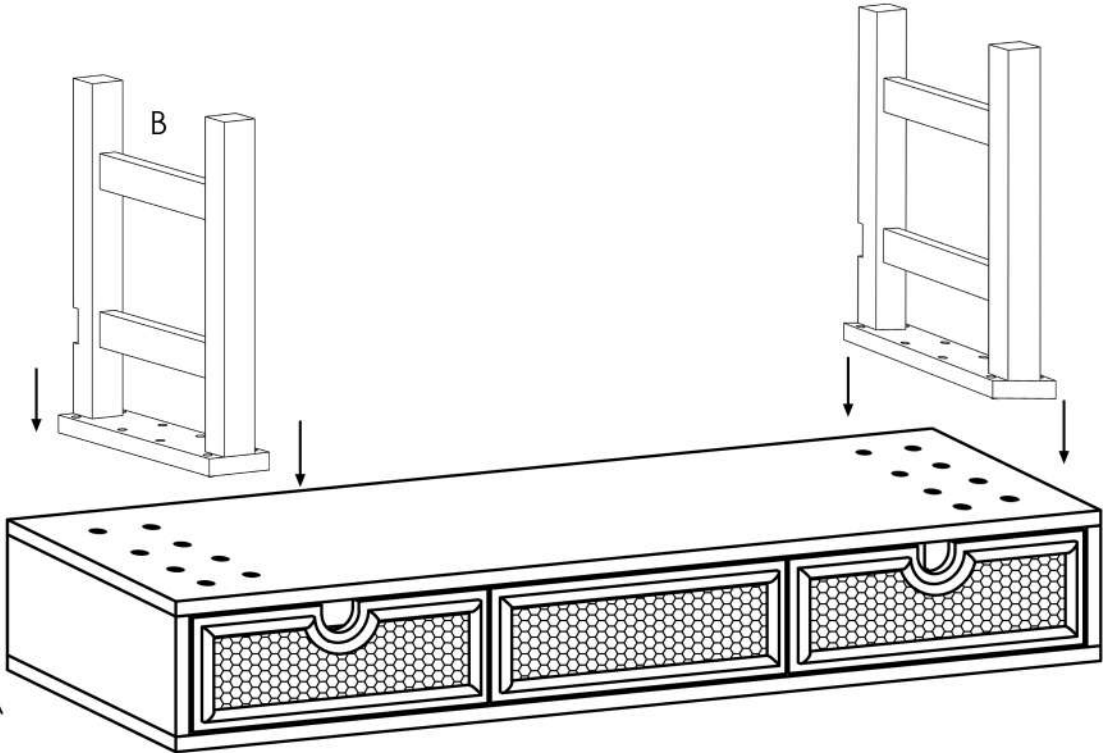
COMPONENT LIST

A	 X1
B	 X2
C	 X1
D	 X20
E	 X16
F	 X1
G	

INSTRUCTION
Step 1

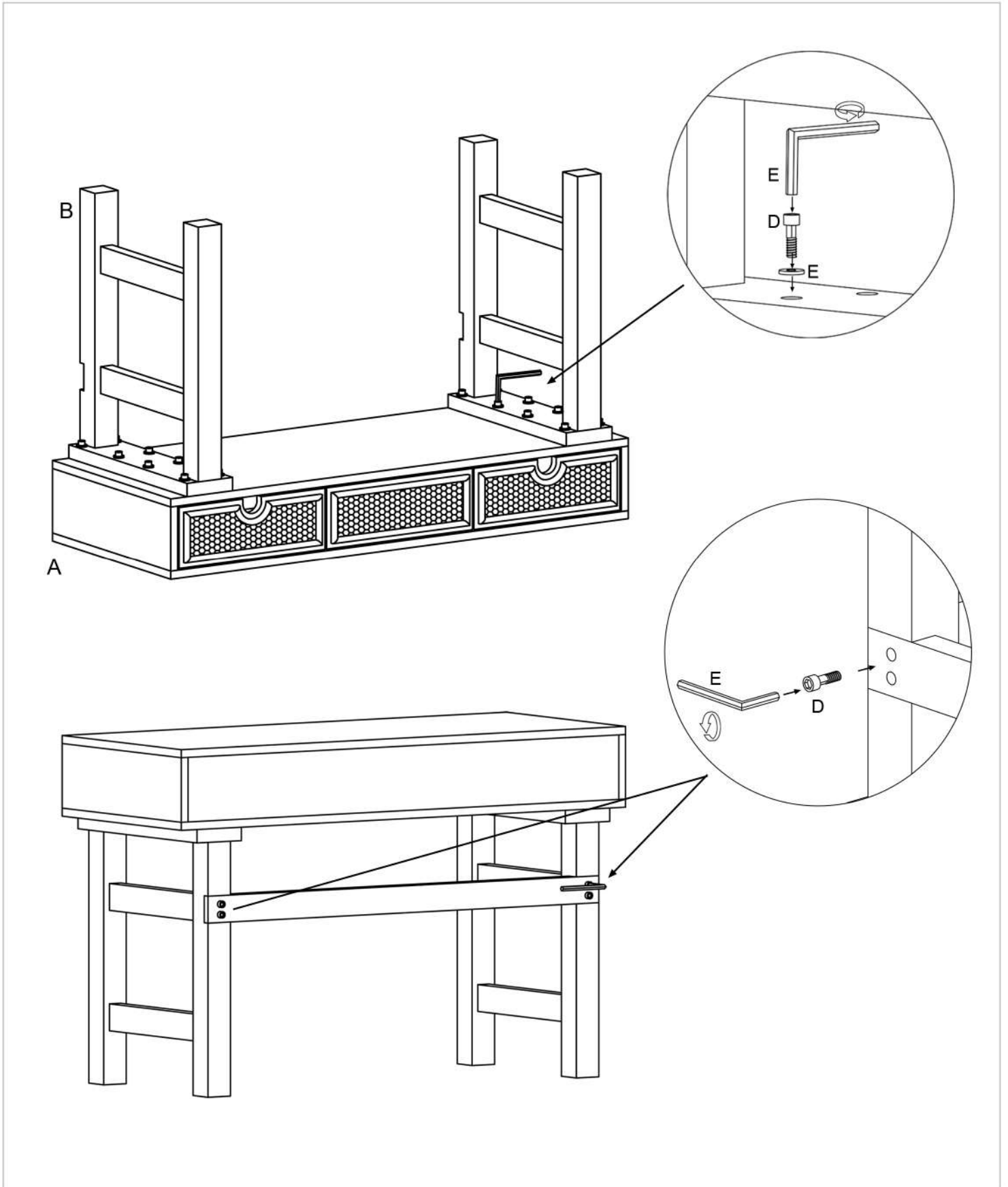


A

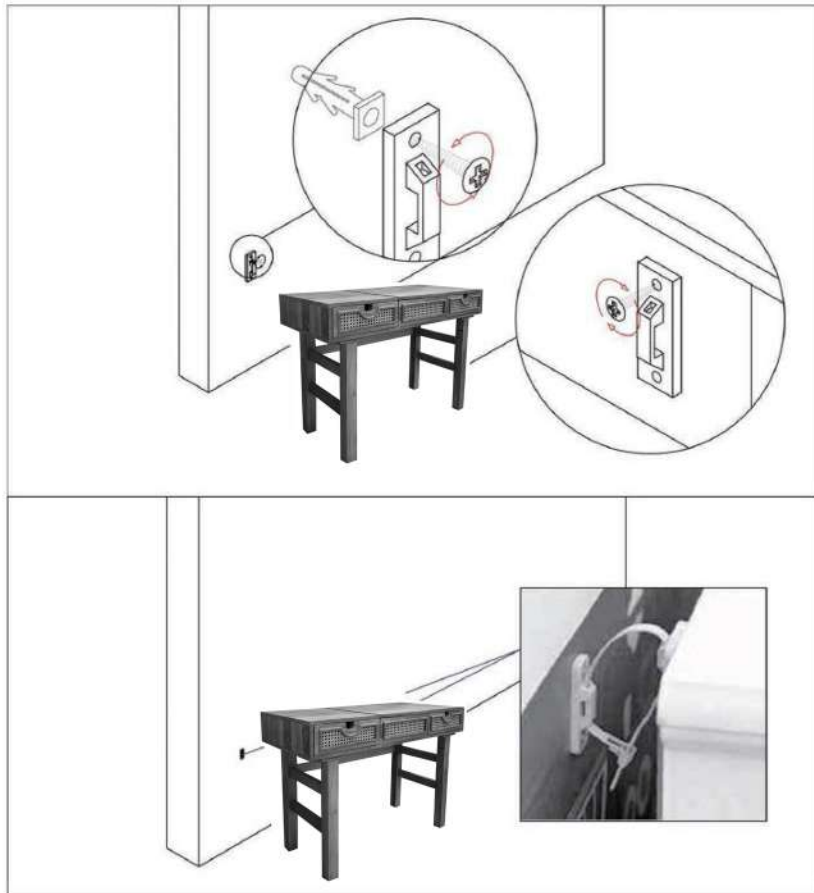


A

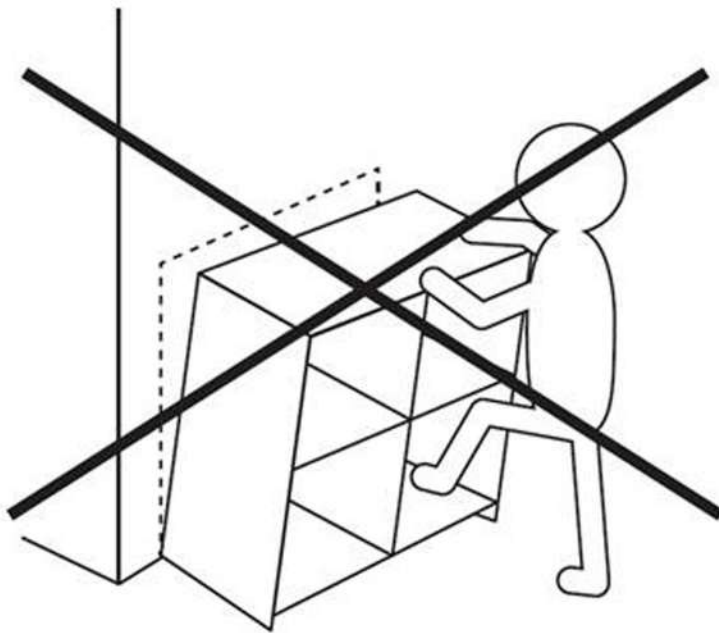
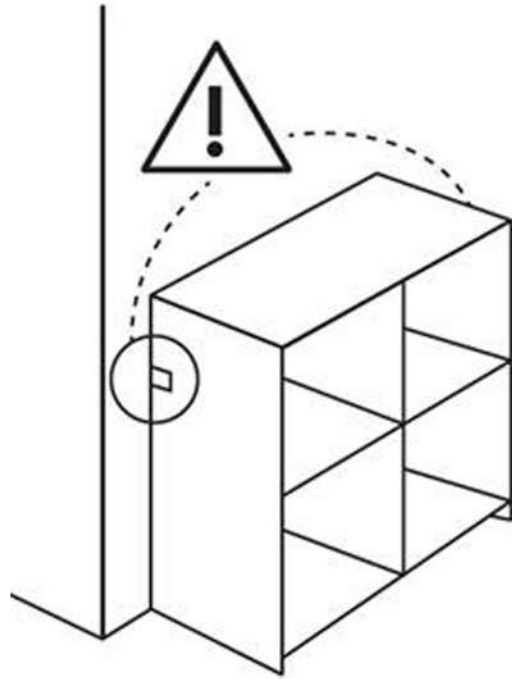
INSTRUCTION
Step 2



INSTRUCTION
Step 3



INSTRUCTION
Step 4



INSTRUCTION
Step 5

