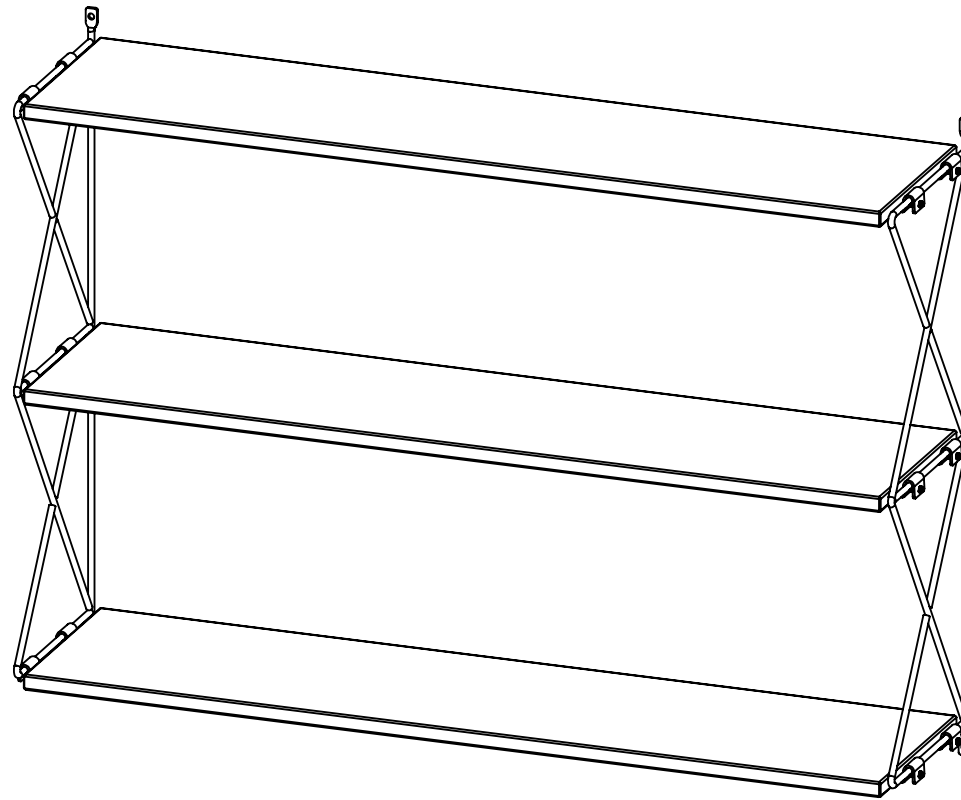

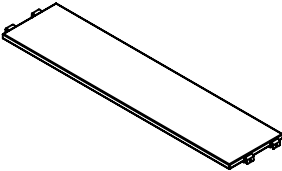

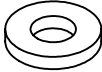
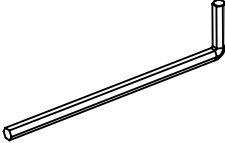
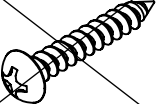
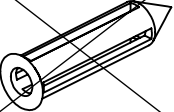


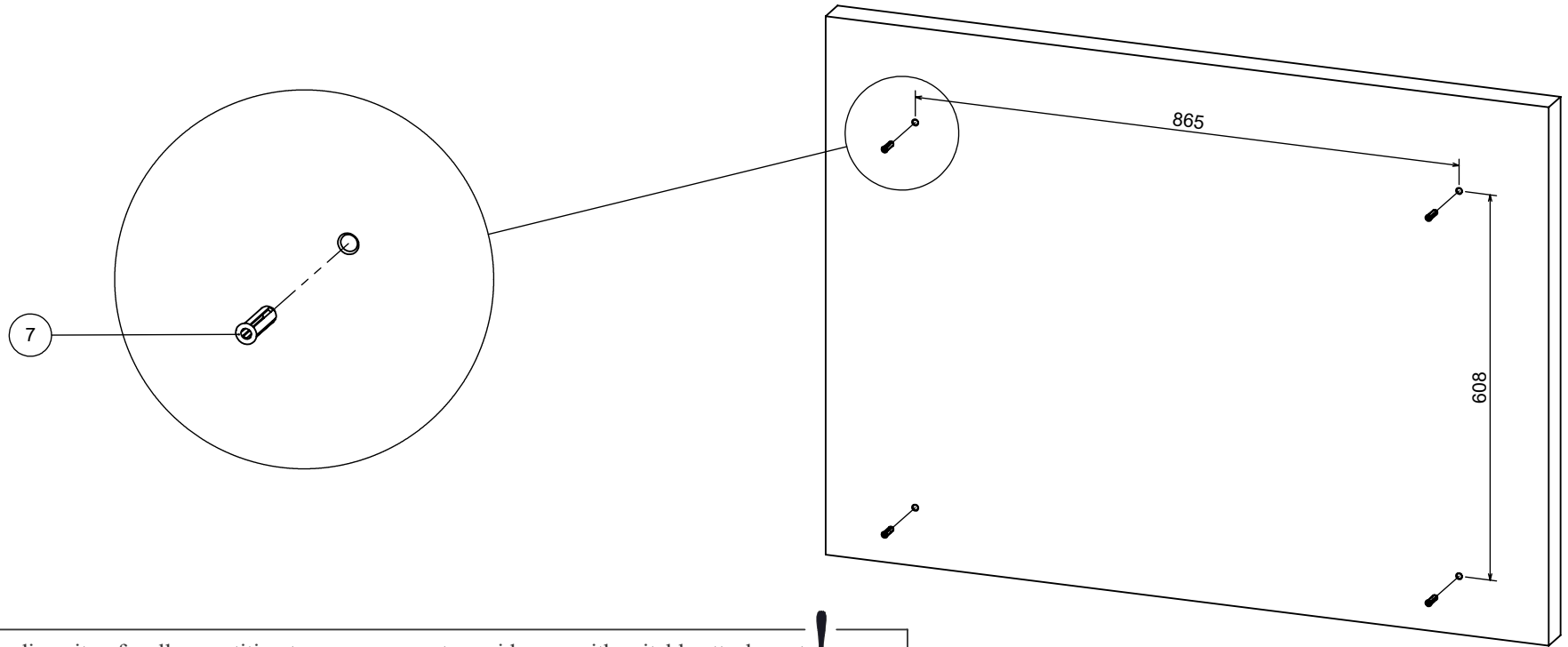
Assembly Instruction
1709572-01-0

Jotex



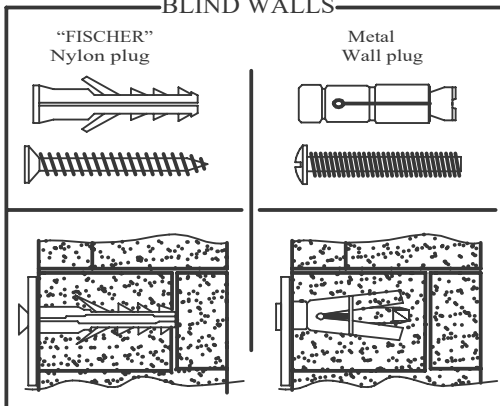
1.	2.	3.	4.	5.	6.	7.
		 M6x12	 D6	 3mm		
2x	3x	12x	2x	1x	4x	4x

1.

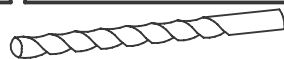
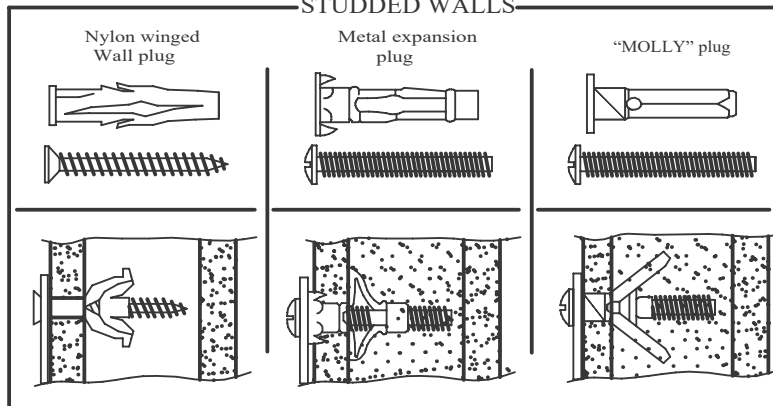


Due to the wide diversity of wall or partition types, we cannot provide you with suitable attachment fixtures. To determine which attachment fixtures to use, you will need to identify the type of wall to which you will be fixing this product. Here are some examples of attachment fixtures recommended for

BLIND WALLS

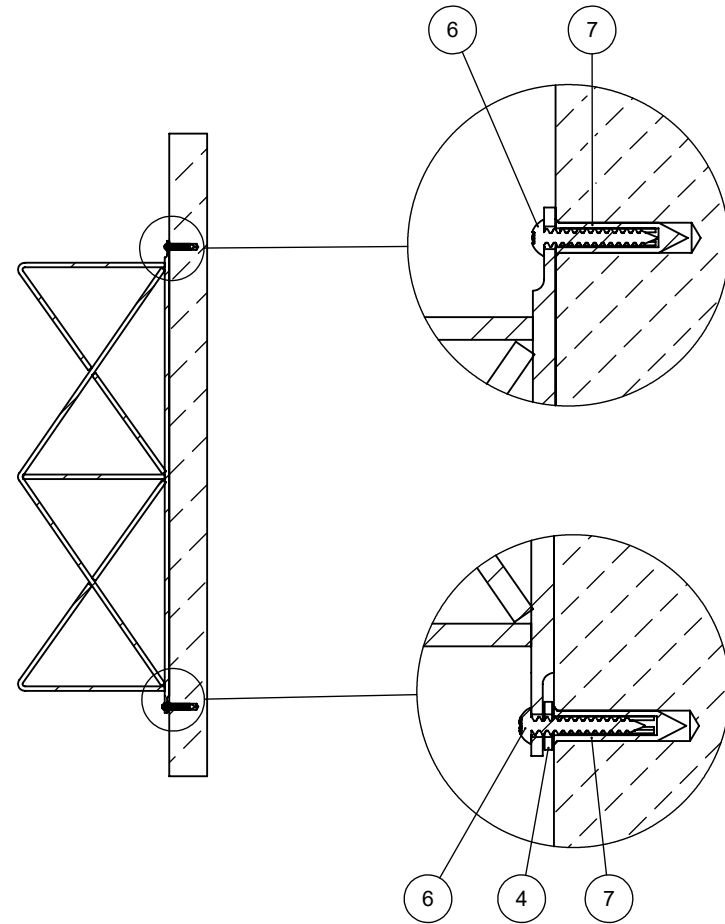
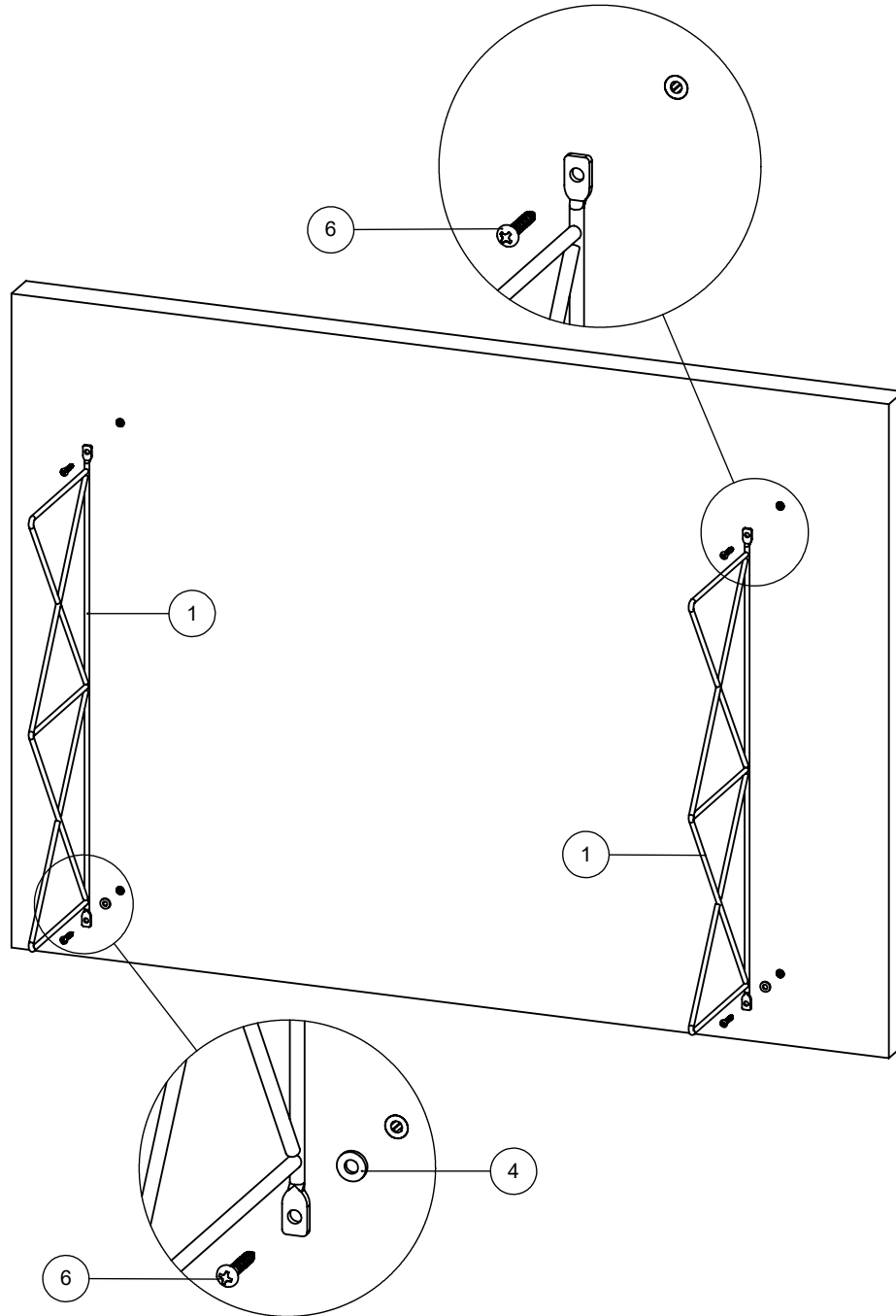


STUDDED WALLS

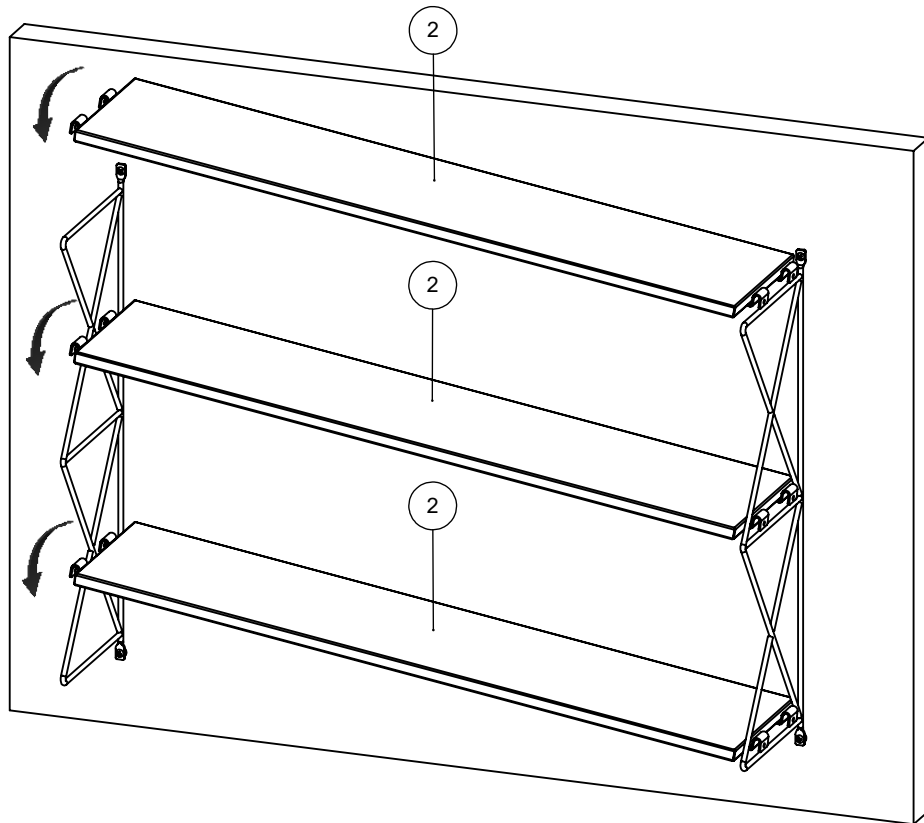


Use a drill bit that is compatible in size with the hardware used and the type of wall

2.



3.



4.

