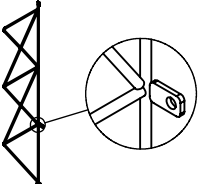
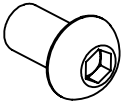
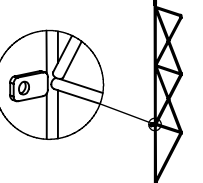


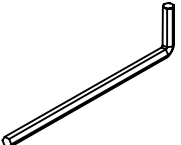
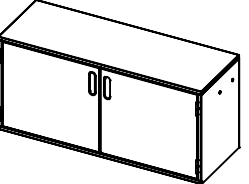
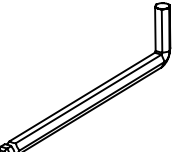

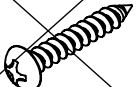
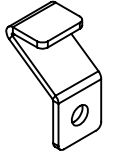
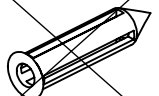
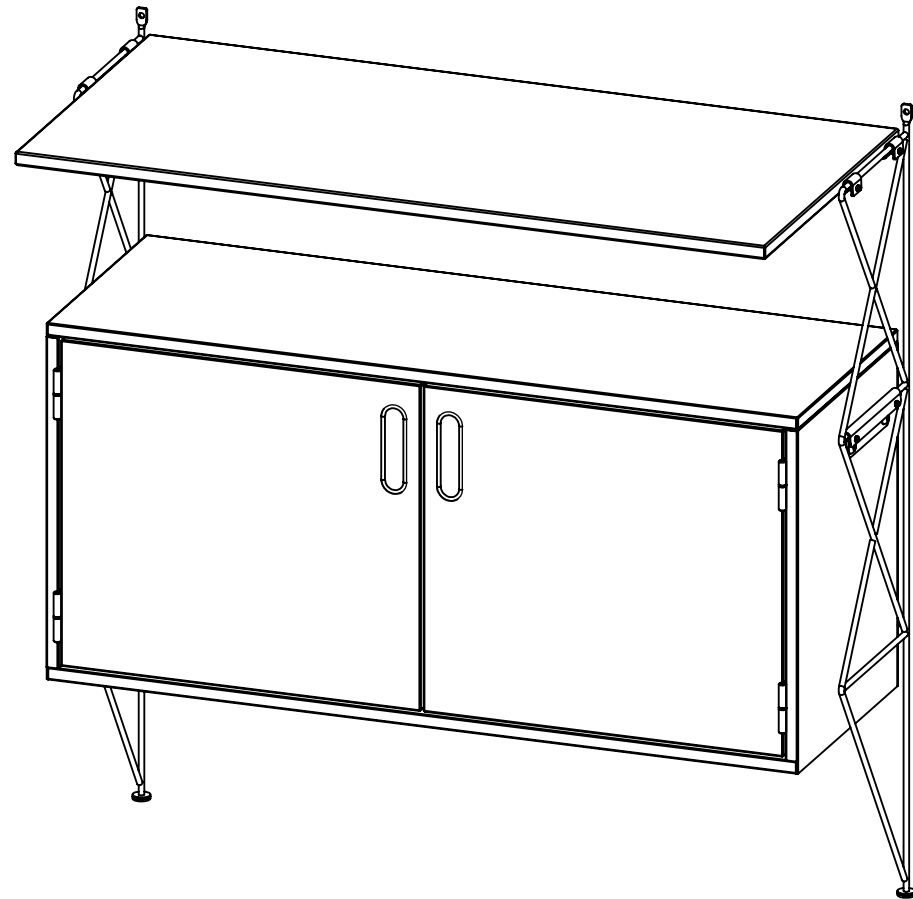


**Assembly Instruction**  
**1709573-01-0**

**Jotex**

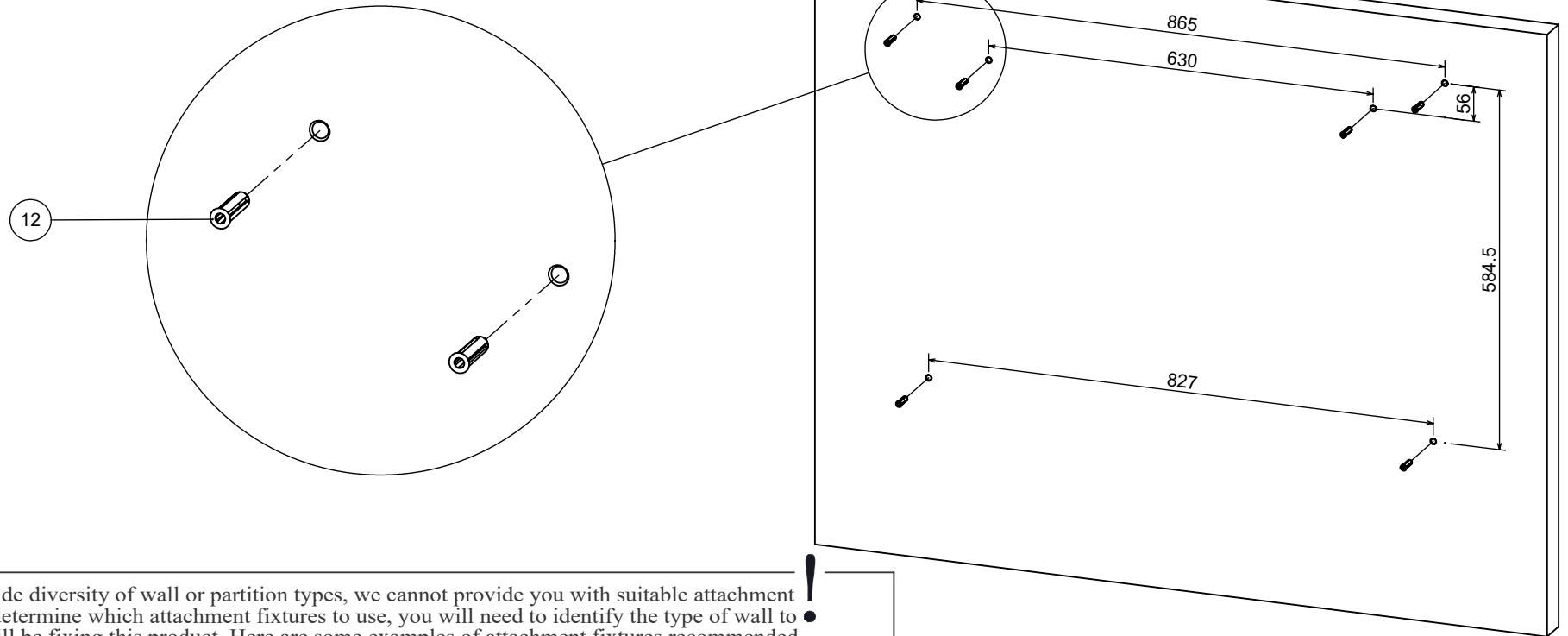
01.		1x	07.		4x
				M8x15	
02.		1x	08.		8x
				M6x12	
03.		1x	09.		1x
				3mm	
04.		1x	10.		1x
				5mm	
05.		2x	11.		6x
06.		2x	12.		6x



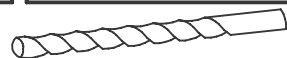
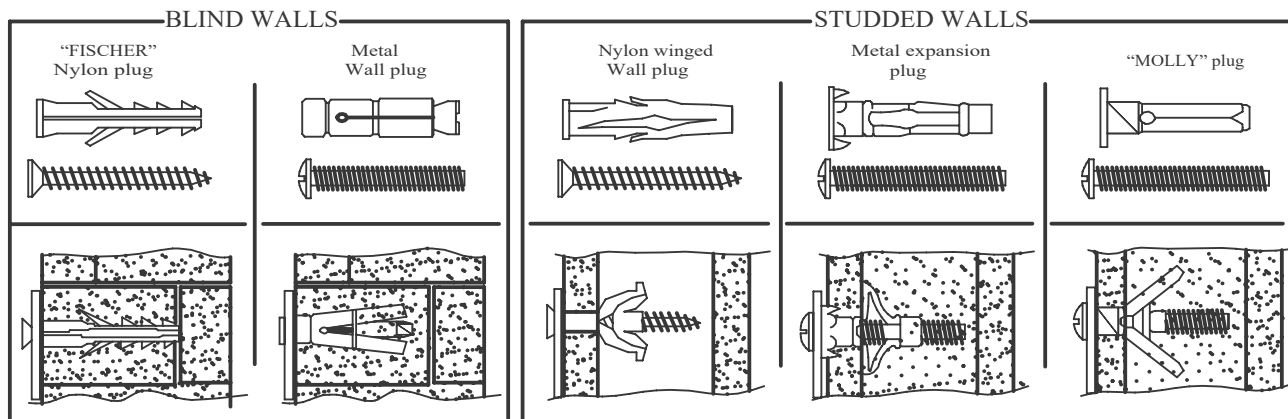
# Assembly Instruction 1709573-01-0

# Jotex

1.

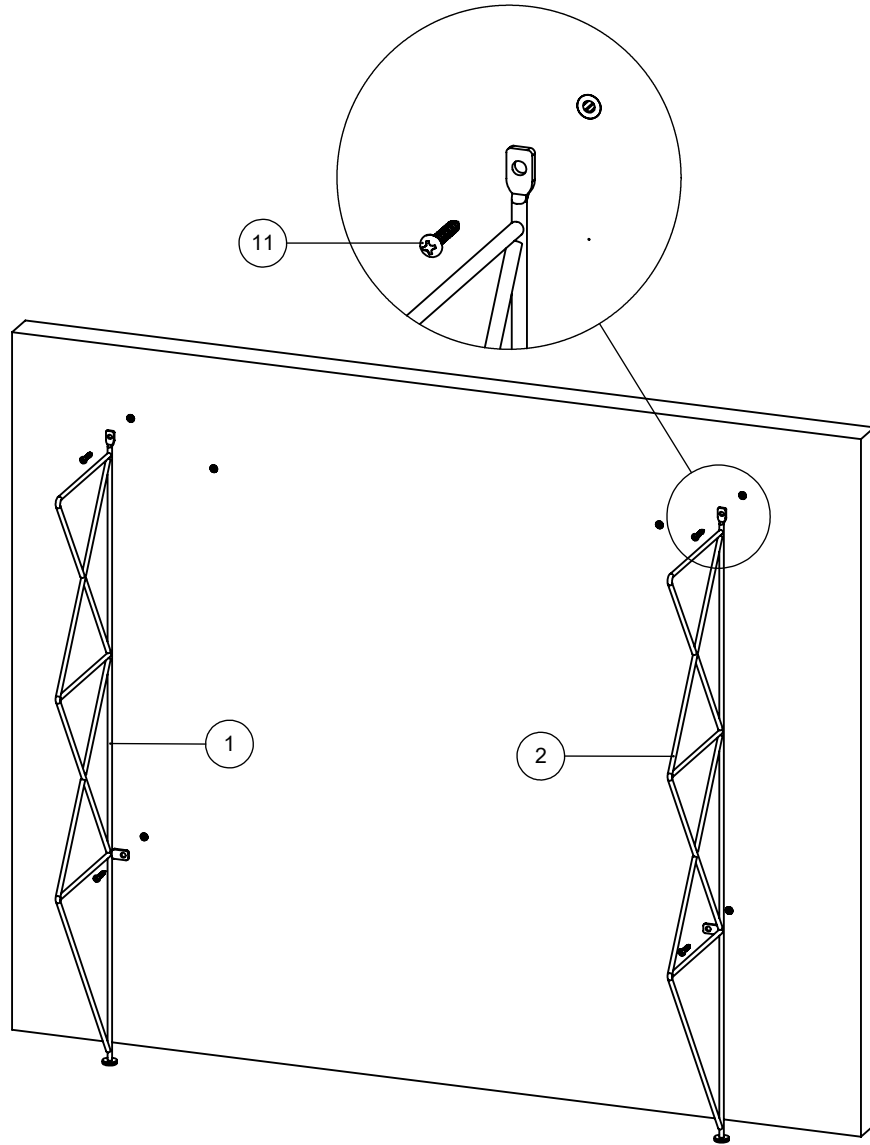


Due to the wide diversity of wall or partition types, we cannot provide you with suitable attachment fixtures. To determine which attachment fixtures to use, you will need to identify the type of wall to which you will be fixing this product. Here are some examples of attachment fixtures recommended for

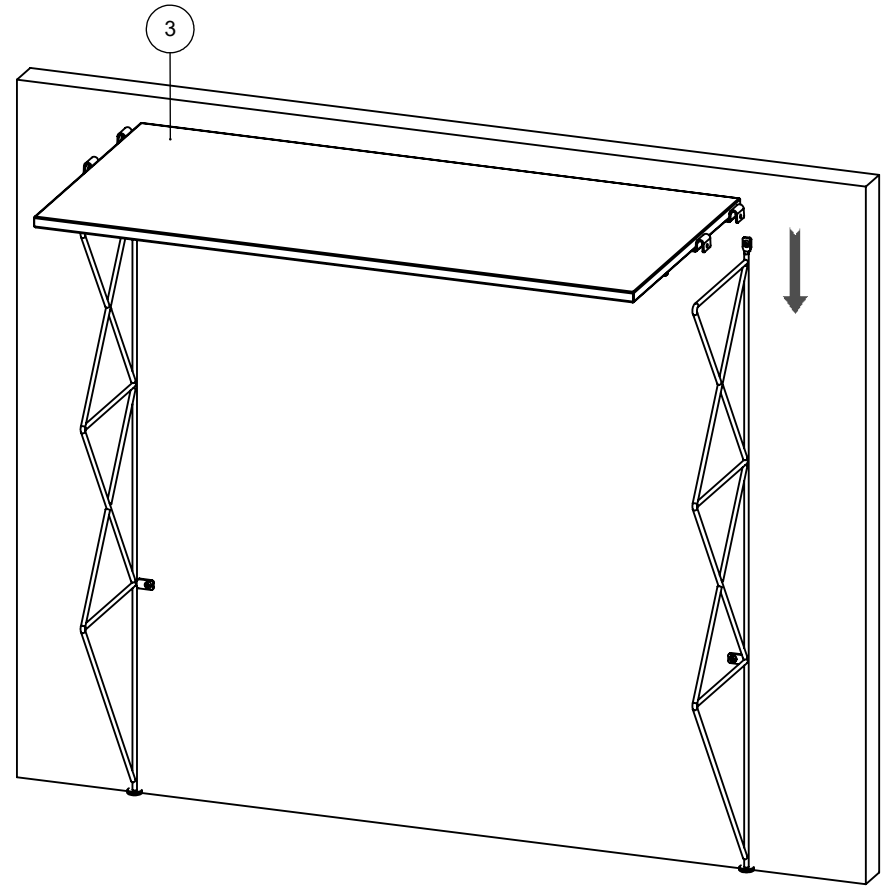


Use a drill bit that is compatible in size with the hardware used and the type of wall

2.



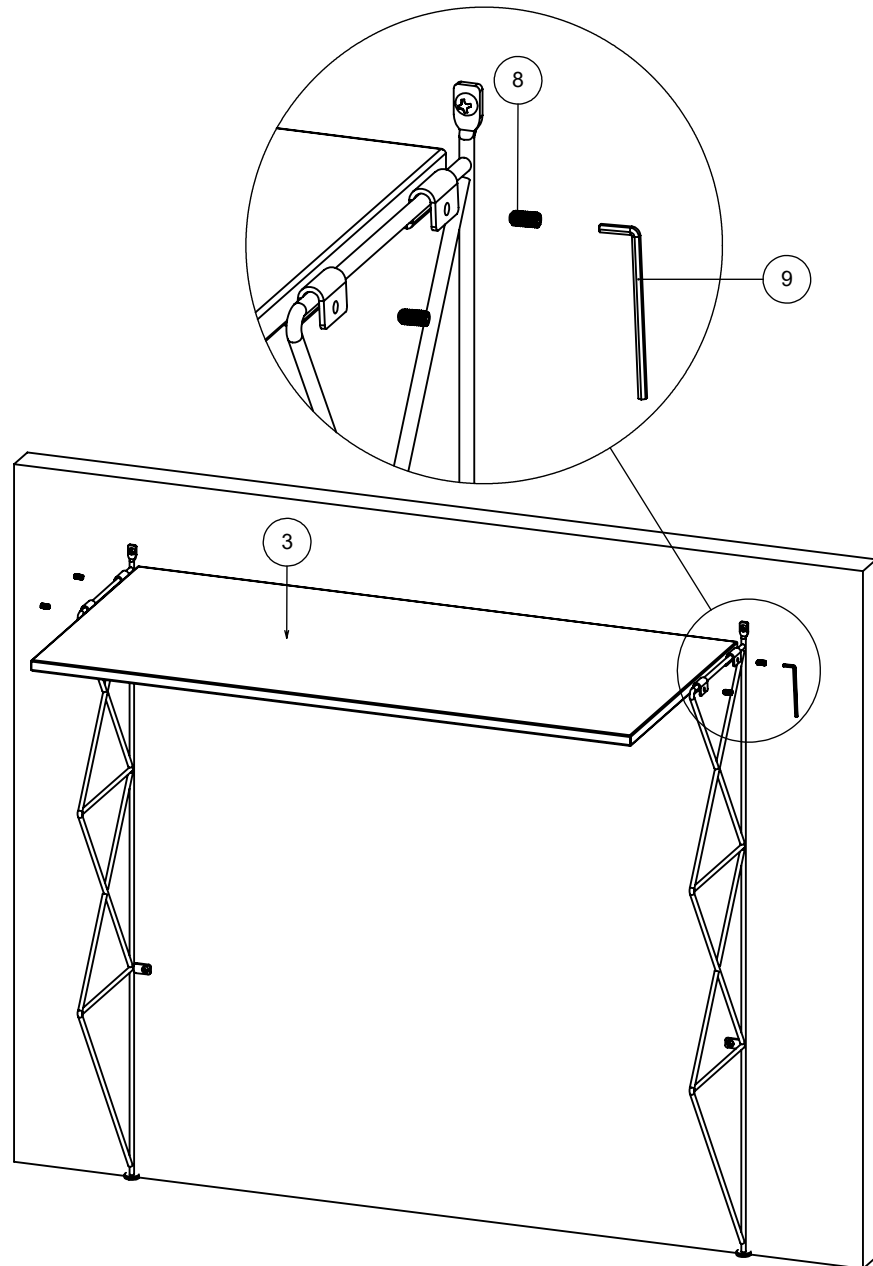
3.



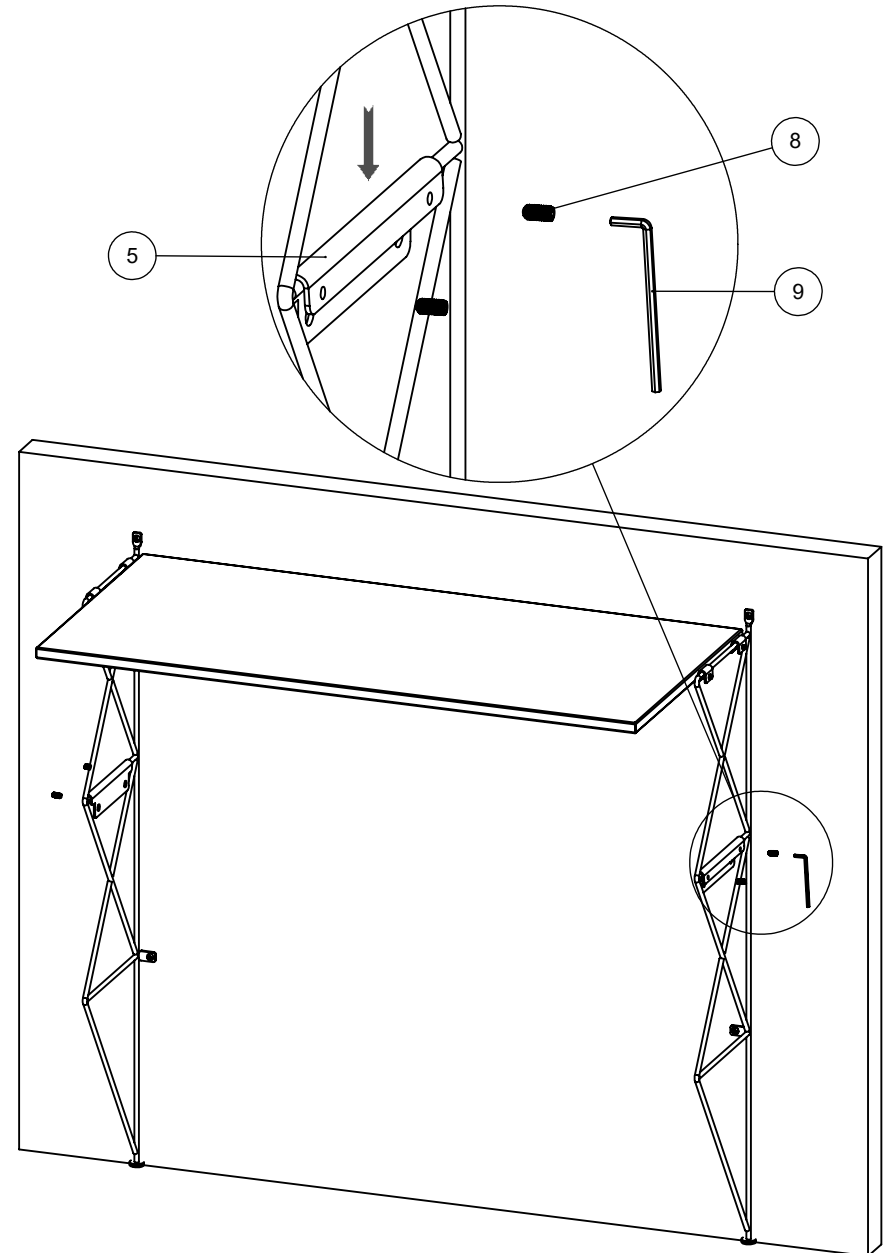
**Assembly Instruction**  
**1709573-01-0**

**Jotex**

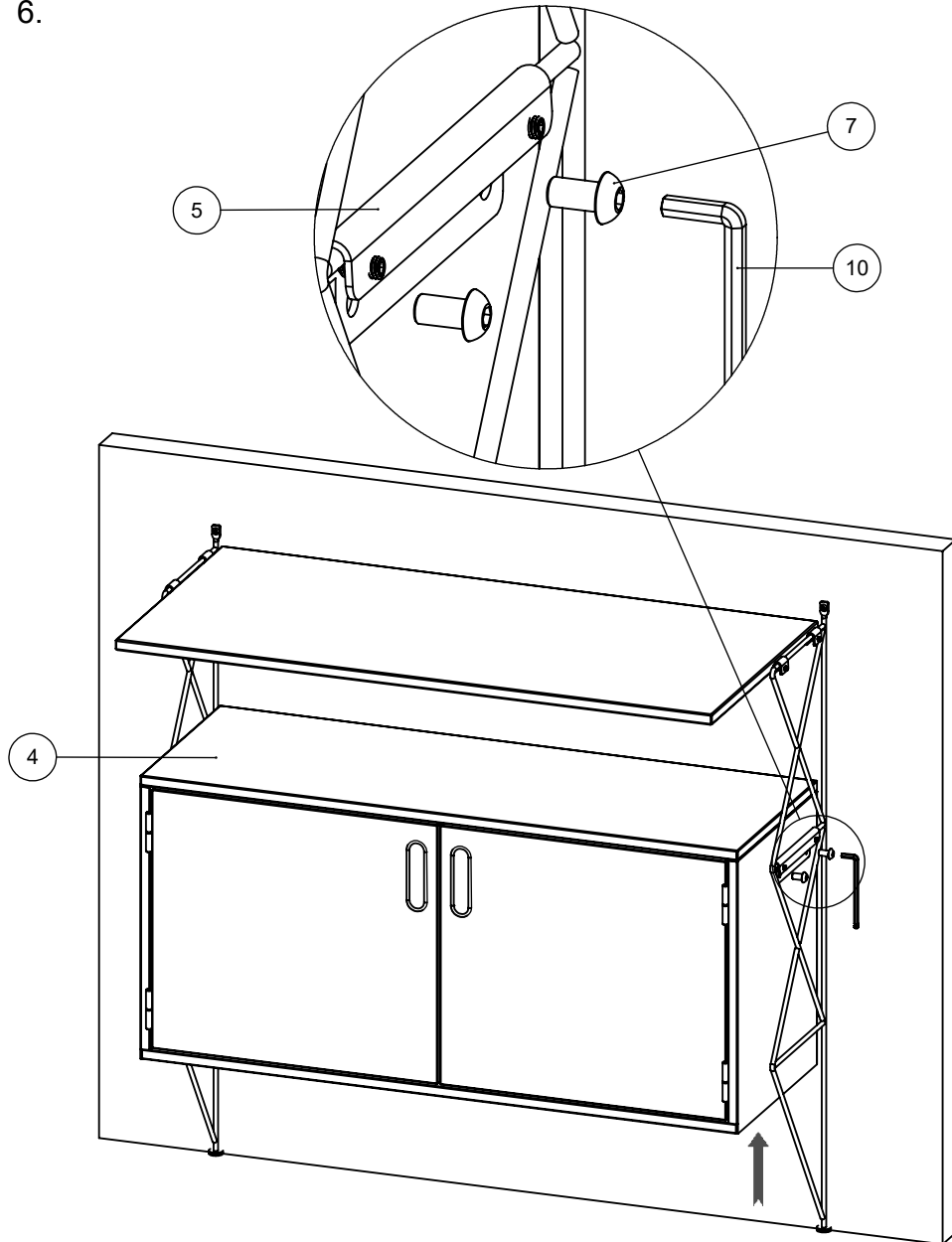
4.



5.



6.



7.

