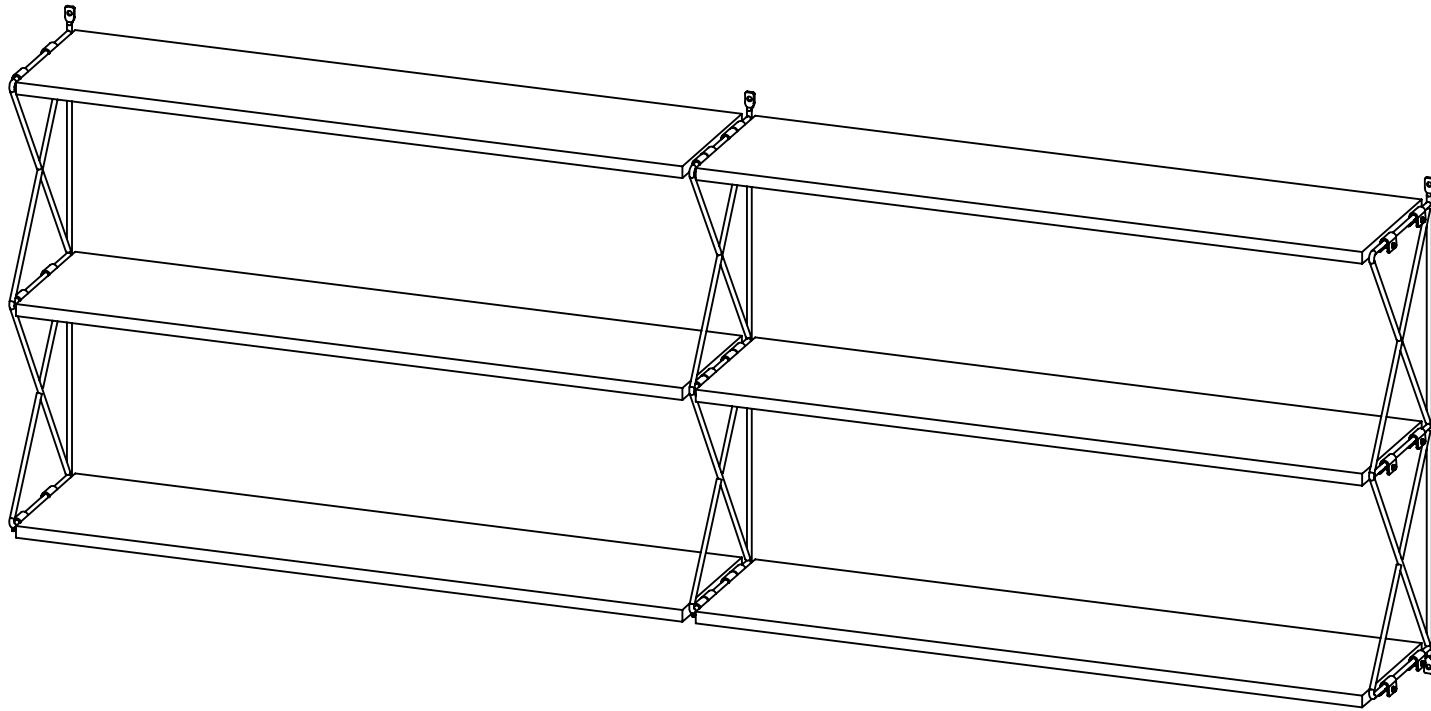

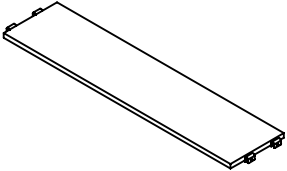

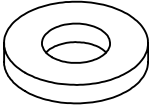
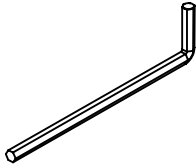
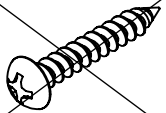
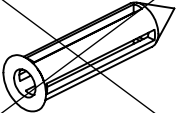


Assembly Instruction
1709584-01-0

Jotex

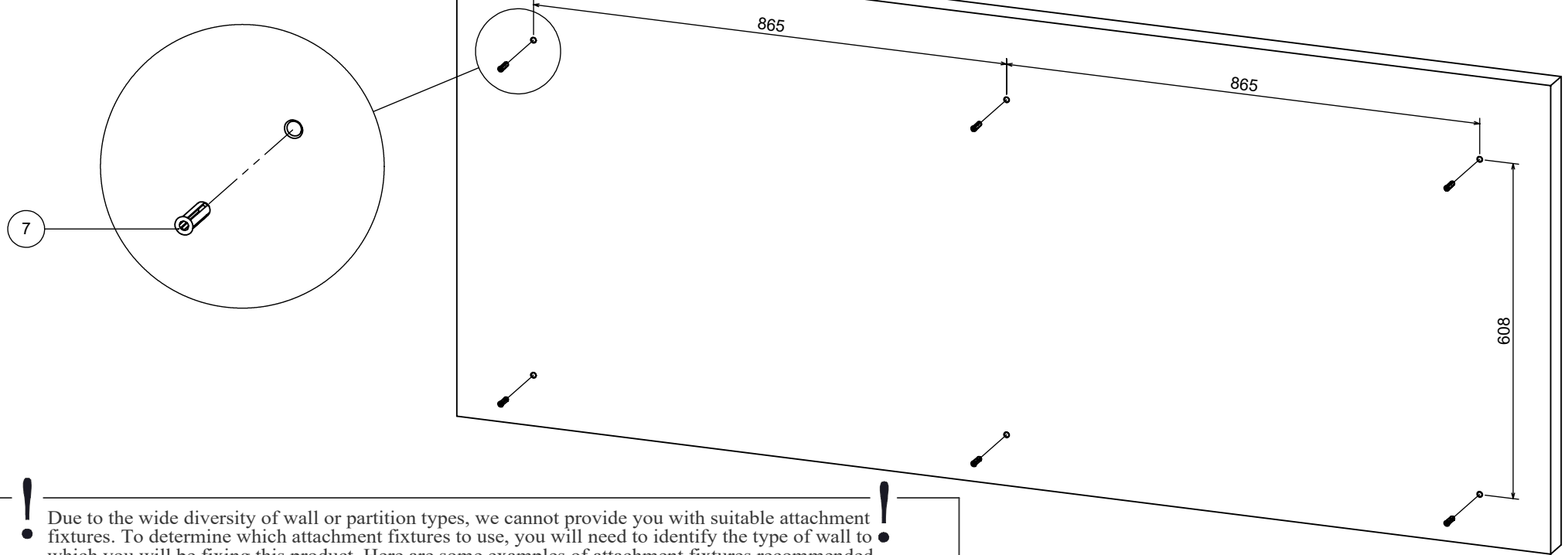


1.	2.	3.	4.	5.	6.	7.
		 M6x12	 D6	 3mm		
3x	6x	12x	3x	1x	6x	6x

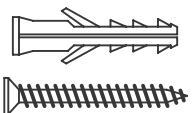
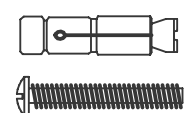
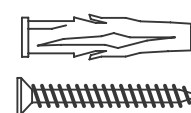
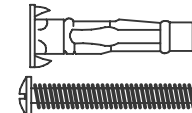
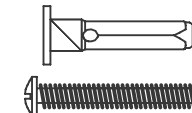
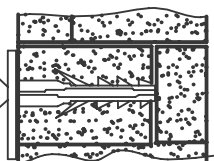
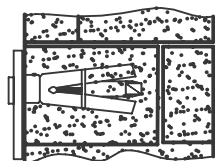
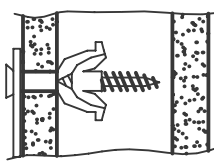
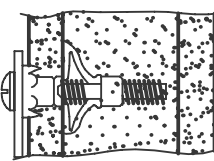
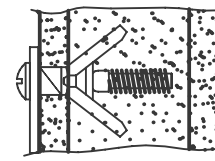
Assembly Instruction 1709584-01-0

Jotex

1.



Due to the wide diversity of wall or partition types, we cannot provide you with suitable attachment fixtures. To determine which attachment fixtures to use, you will need to identify the type of wall to which you will be fixing this product. Here are some examples of attachment fixtures recommended for

BLIND WALLS		STUDDED WALLS		
<p>"FISCHER" Nylon plug</p> 	<p>Metal Wall plug</p> 	<p>Nylon winged Wall plug</p> 	<p>Metal expansion plug</p> 	<p>"MOLLY" plug</p> 
				

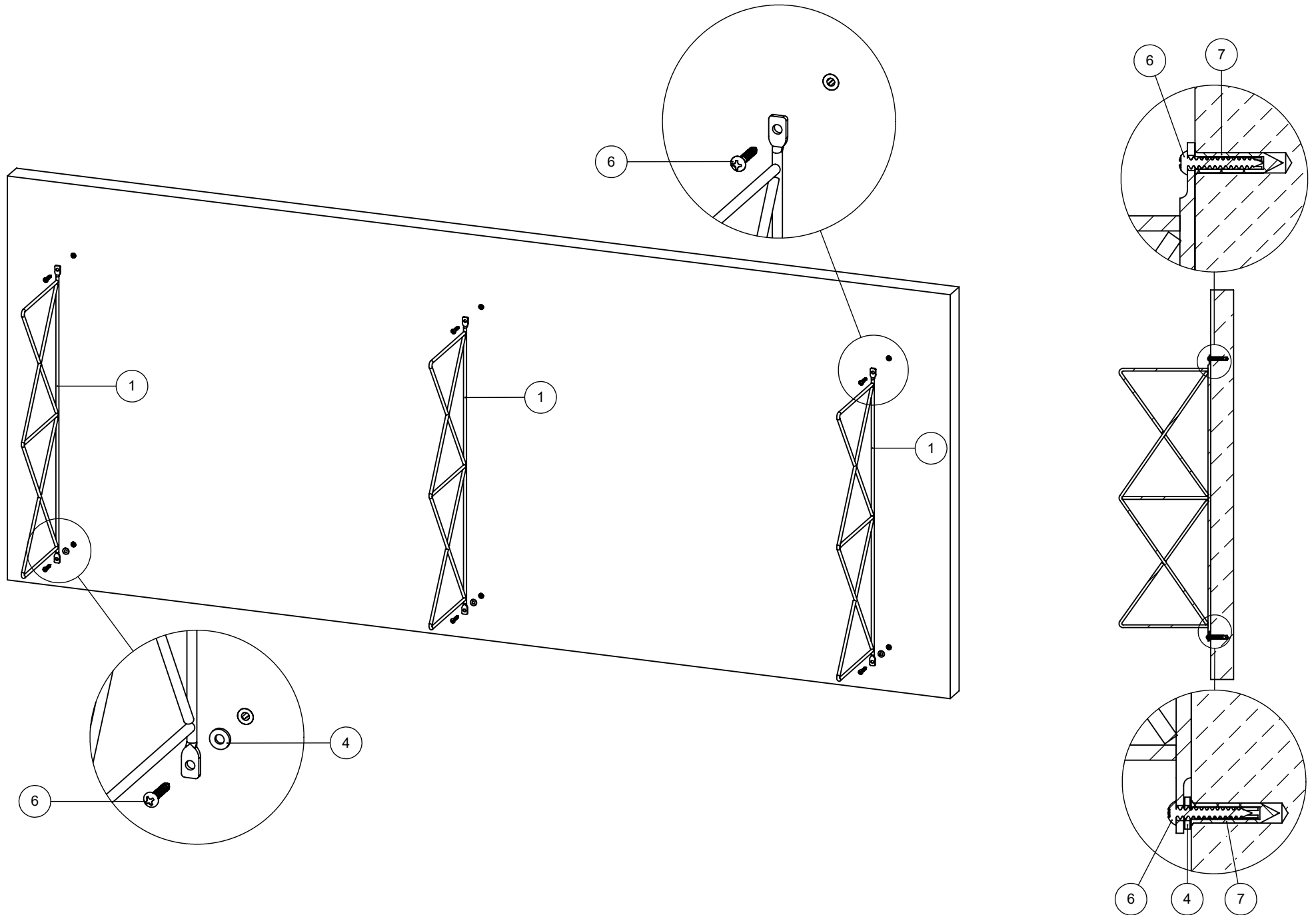


Use a drill bit that is compatible in size with the hardware used and the type of wall

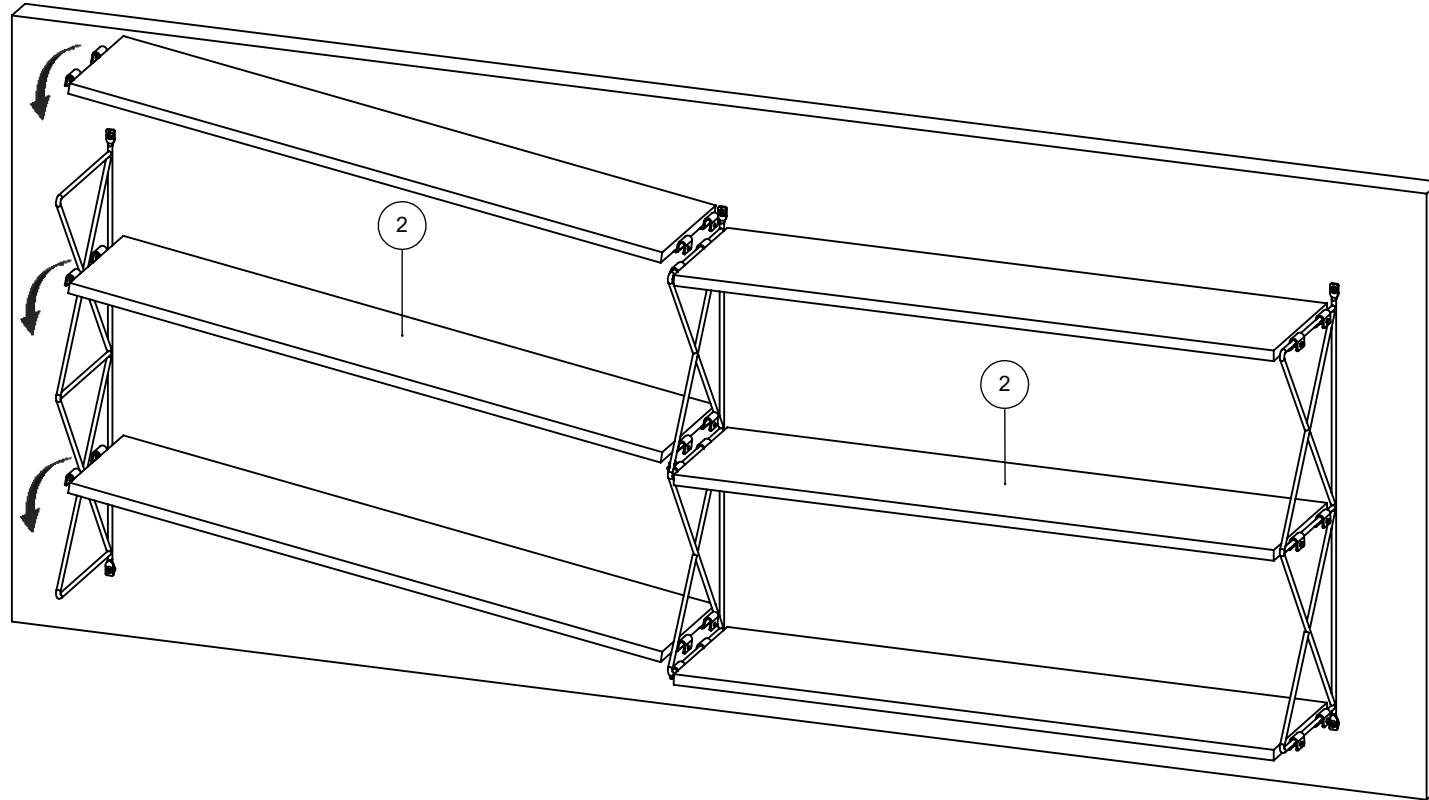
Assembly Instruction
1709584-01-0

Jotex

2.



3.



4.

