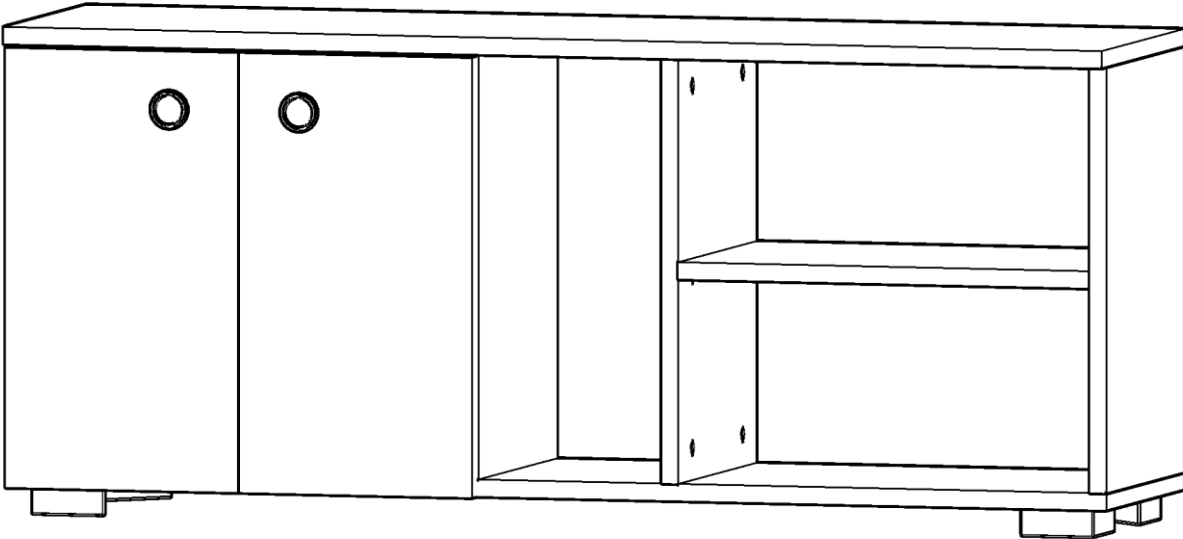


SARANDON PORTMANTO ALT MODÜL

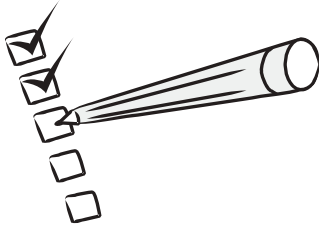
SARANDON SHOE CABINET(SUB-MODULE) P4008



Dear Customer,

We design and produce our products for people to love and have fun with them as we do.

The product you bought was subjected to all sorts of tests and control before sending out to you.



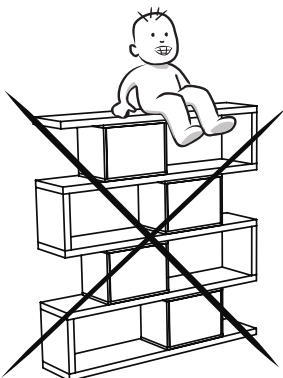
Before start assembling, please check the whole components and accessories according to the lists. If you bought more than one product, to prevent confusion be sure that you completed the first product. Then start the other product's assembling.



Before start assembling, please clean all the components with a damp cloth. Also for usual cleaning, this will be enough.



Although all the products are produced and packed carefully, sometimes happen that some component is damaged during the transportation. In such a case please check the missing or damaged part and do not hesitate to contact us.

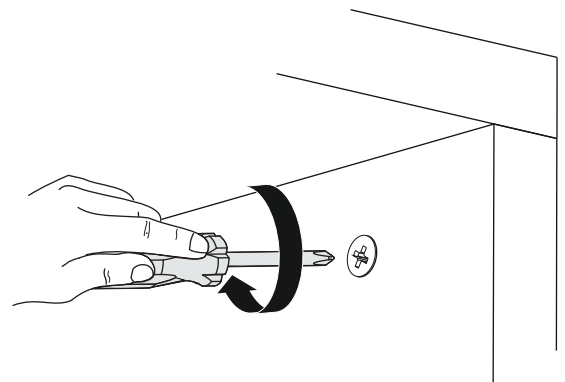
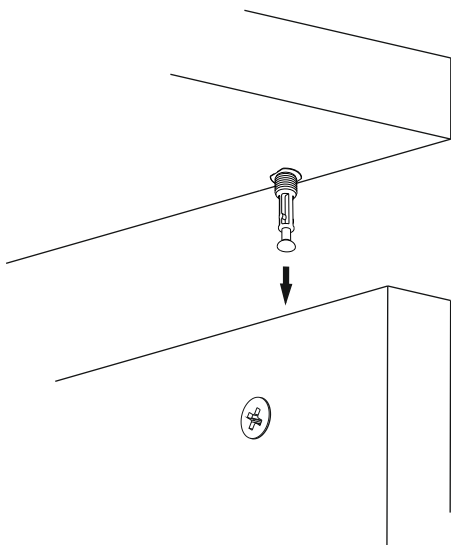
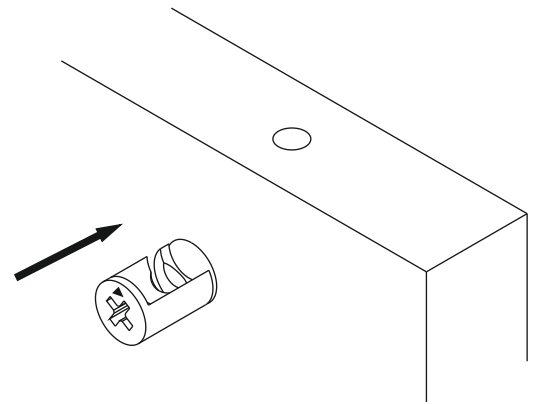
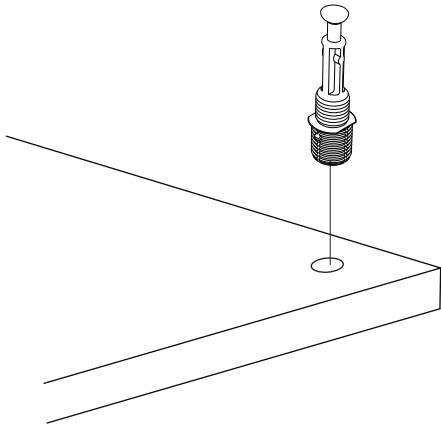
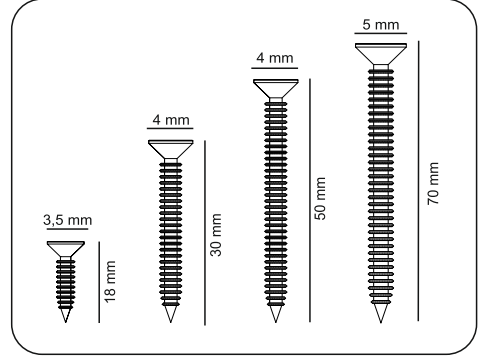
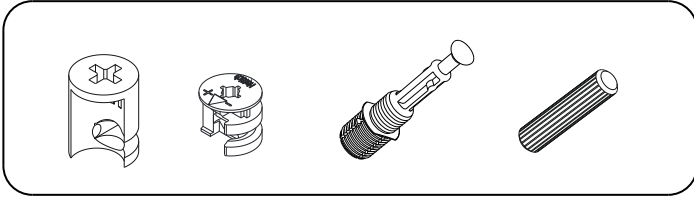


Do not use your furniture for out of purposes. If you would like to use it, please contact us for further questions.

Do not directly contact your furniture with excessive heat, cold and humidity because the product can be affected..

ATTENTION !!

Minifix is the main connection material used in products. Before starting assembly, please check the drawings below.

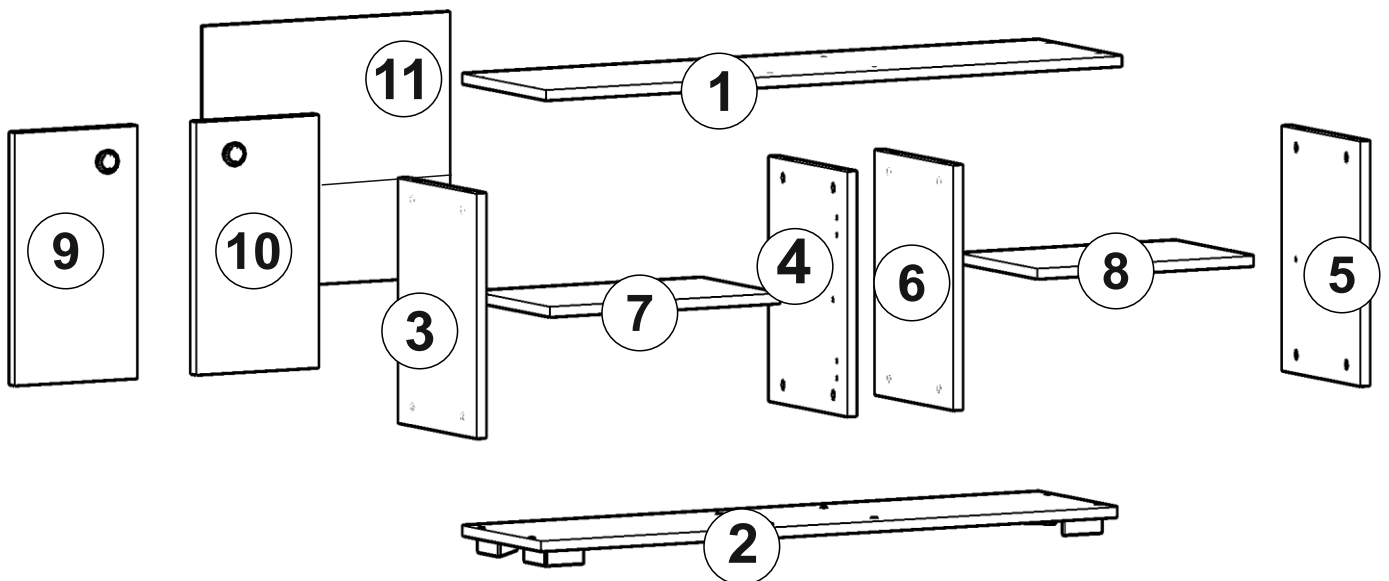


ACCESSORY LIST

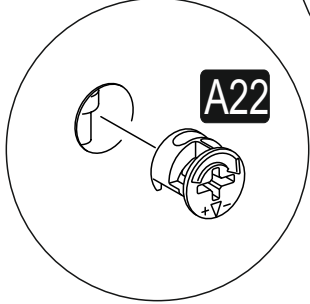
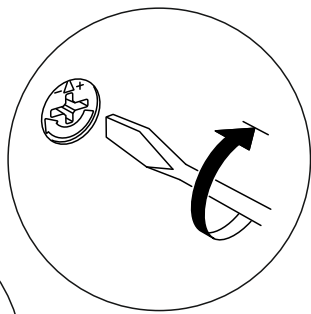
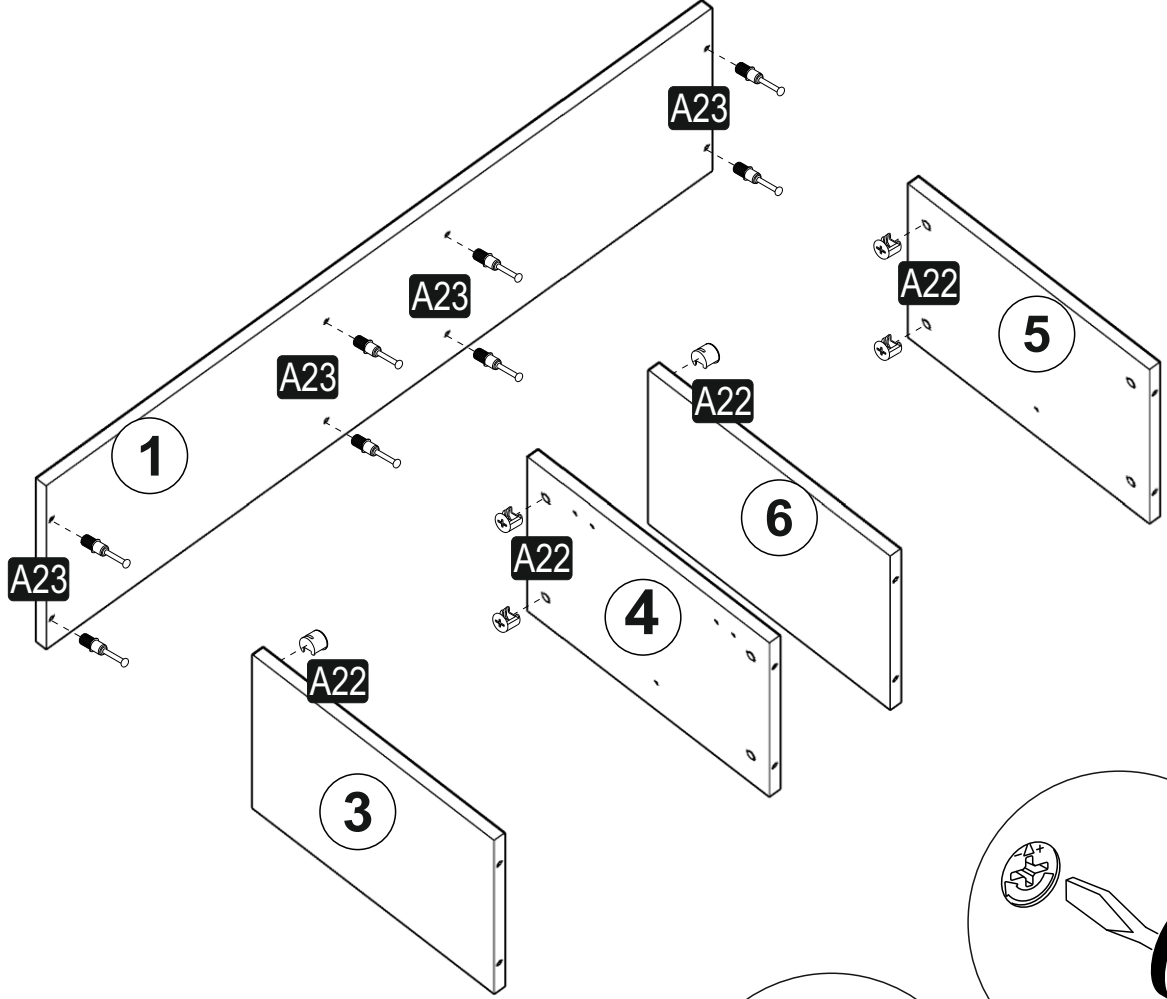
SARANDON

A23 Minifix M8 8x34 16x	A22 Minifix G18 15x14 16x	A51 MANTAR KULP siyah 2x	A50 ÜÇGEN AYAK 4x	A18 3,5x18 28x
C01 DM 4x	C04 MA 4x	A65 RP 8x	A49 KLPVD 20mm 2x	A48 AC 30x
A06 18 mm BYZ 16x				

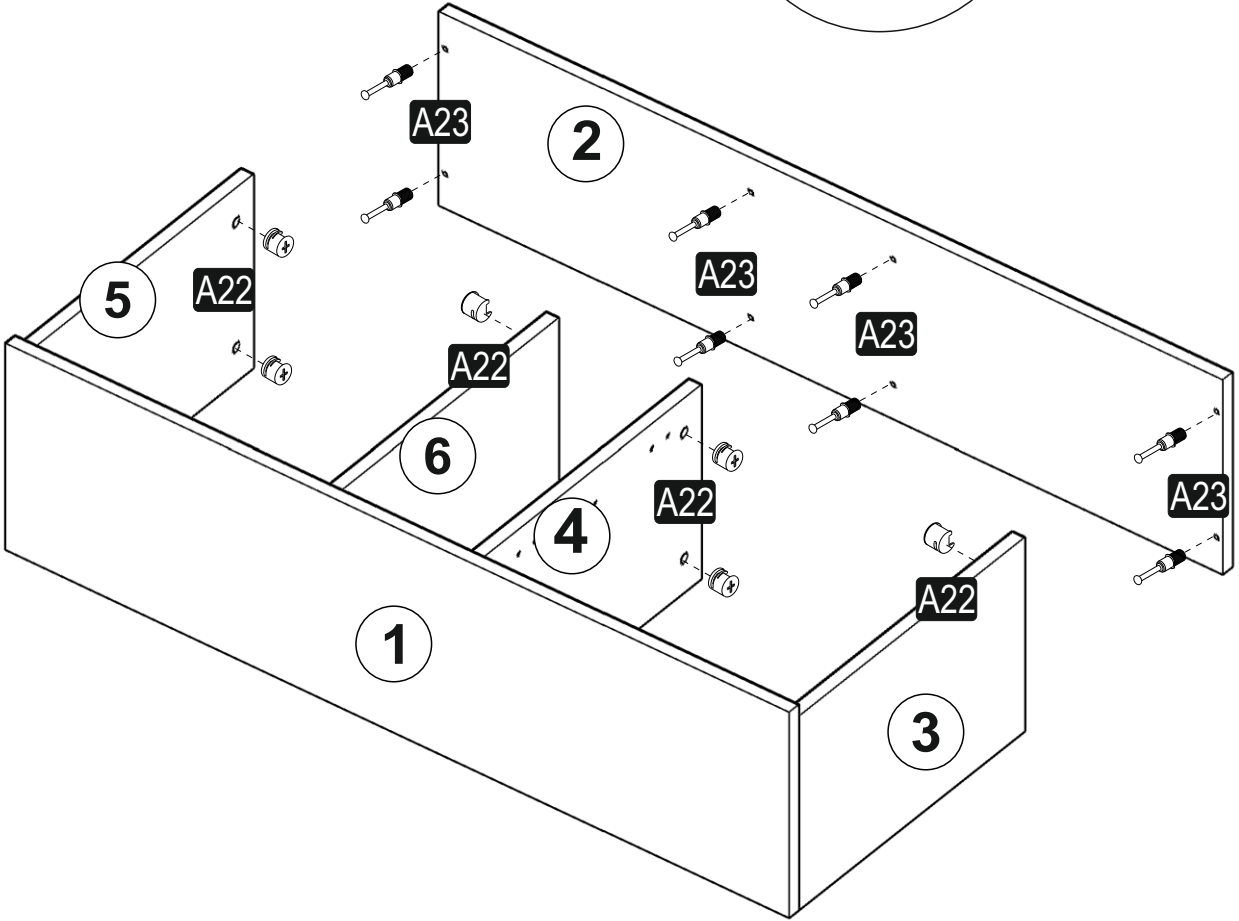
GENERAL VIEW



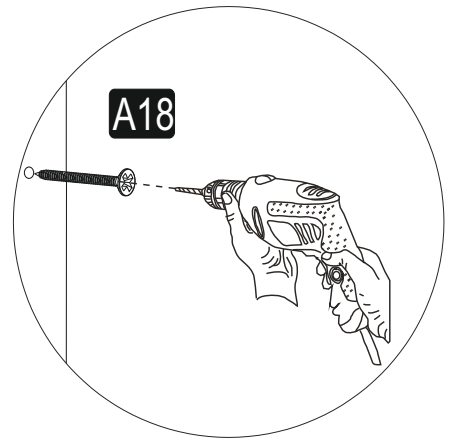
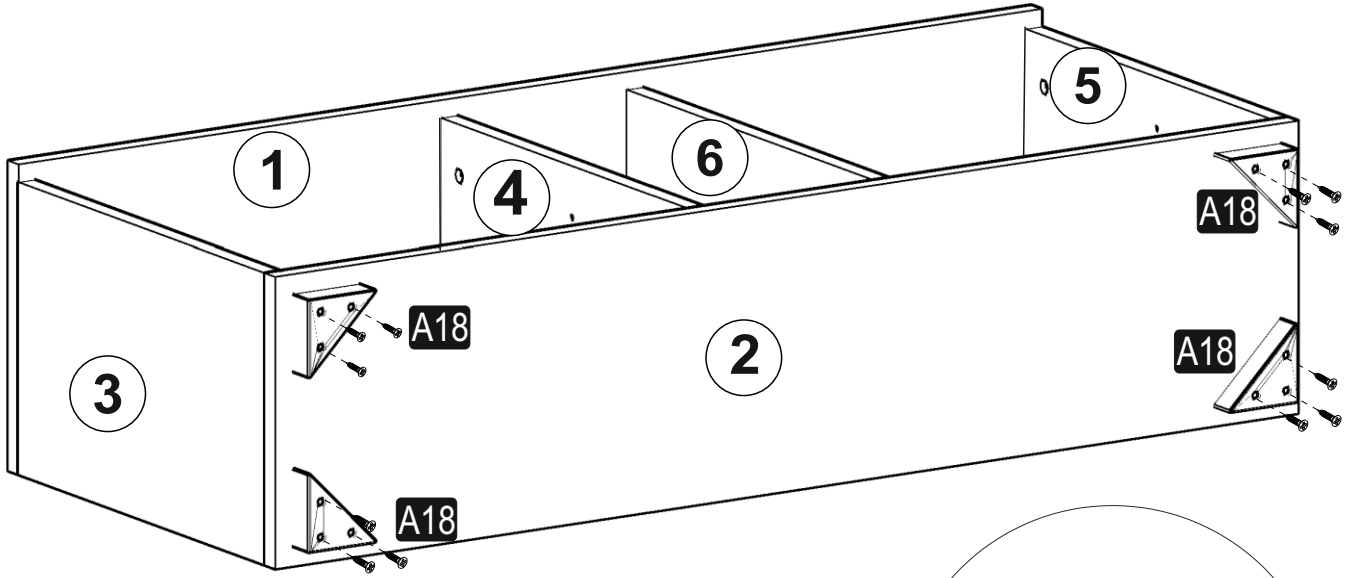
1



2



3



4

