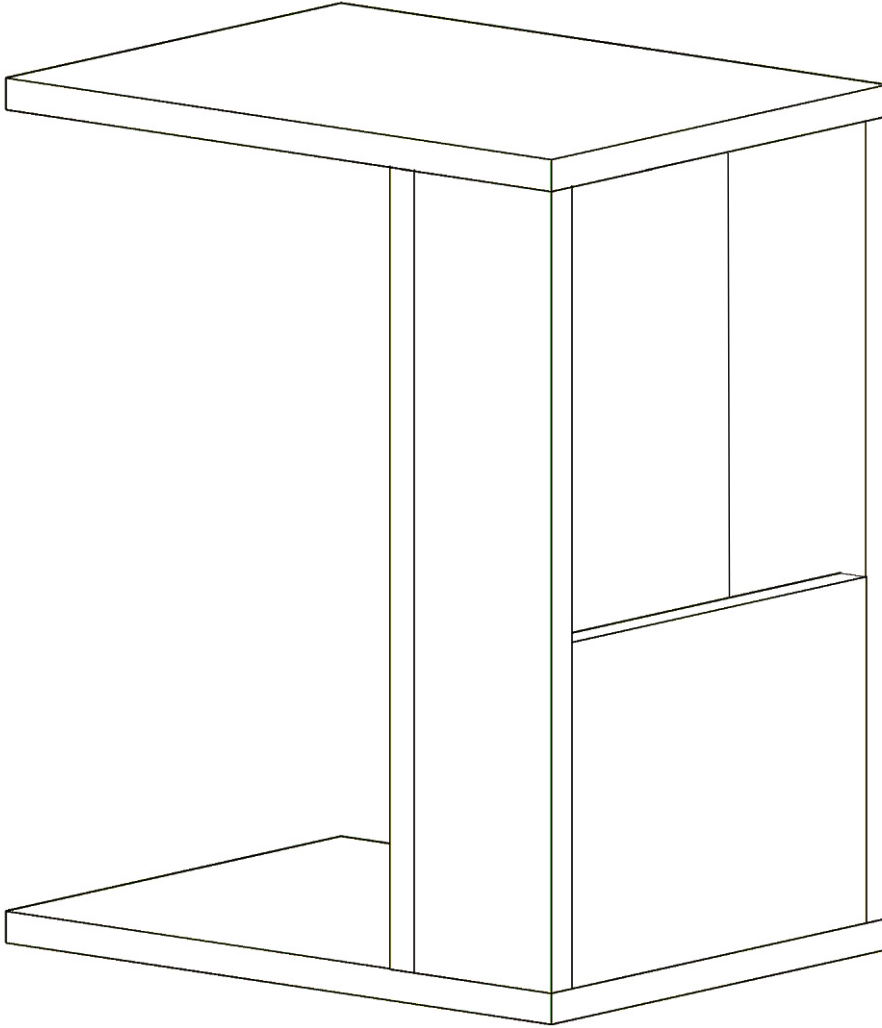


# SERCE SIDE TABLE SERÇE YAN SEHPA

SHP-2005

---



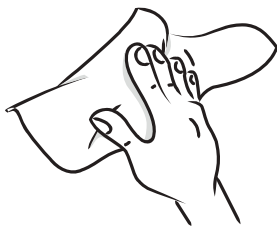
Dear Customer,

We design and produce our products for people to love and have fun with them as we do.

The product you bought was subjected to all sorts of tests and control before sending out to you.



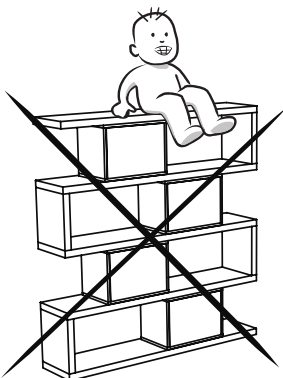
Before start assembling, please check the whole components and accessories according to the lists. If you bought more than one product, to prevent confusion be sure that you completed the first product. Then start the other product's assembling.



Before start assembling, please clean all the components with a damp cloth. Also for usual cleaning, this will be enough.



Although all the products are produced and packed carefully, sometimes happen that some component is damaged during the transportation. In such a case please check the missing or damaged part and do not hesitate to contact us.

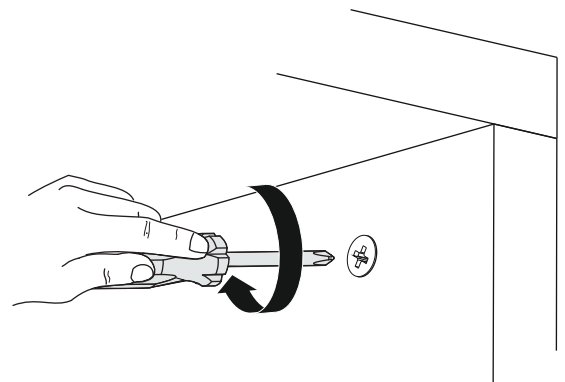
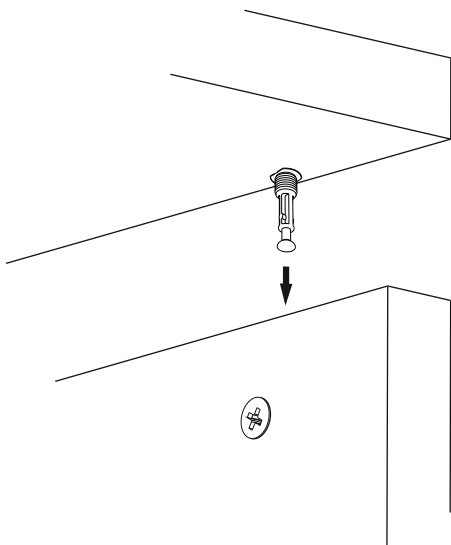
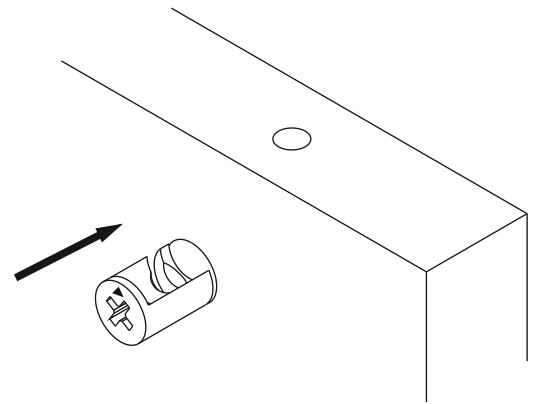
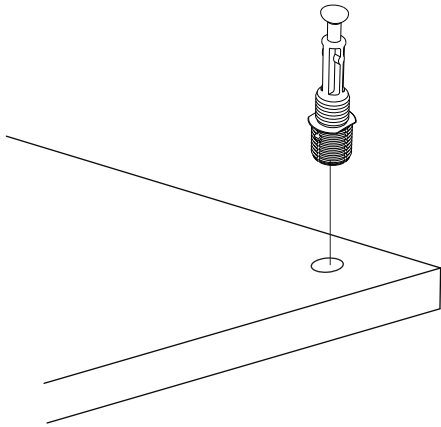
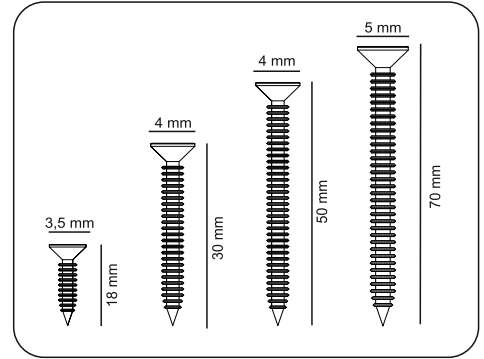
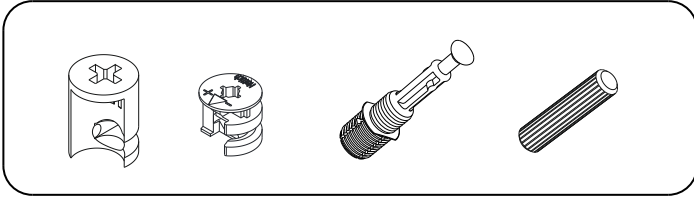


Do not use your furniture for out of purposes. If you would like to use it, please contact us for further questions.

Do not directly contact your furniture with excessive heat, cold and humidity because the product can be affected..

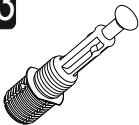



# ATTENTION !!

Minifix is the main connection material used in   products. Before starting assembly, please check the drawings below.

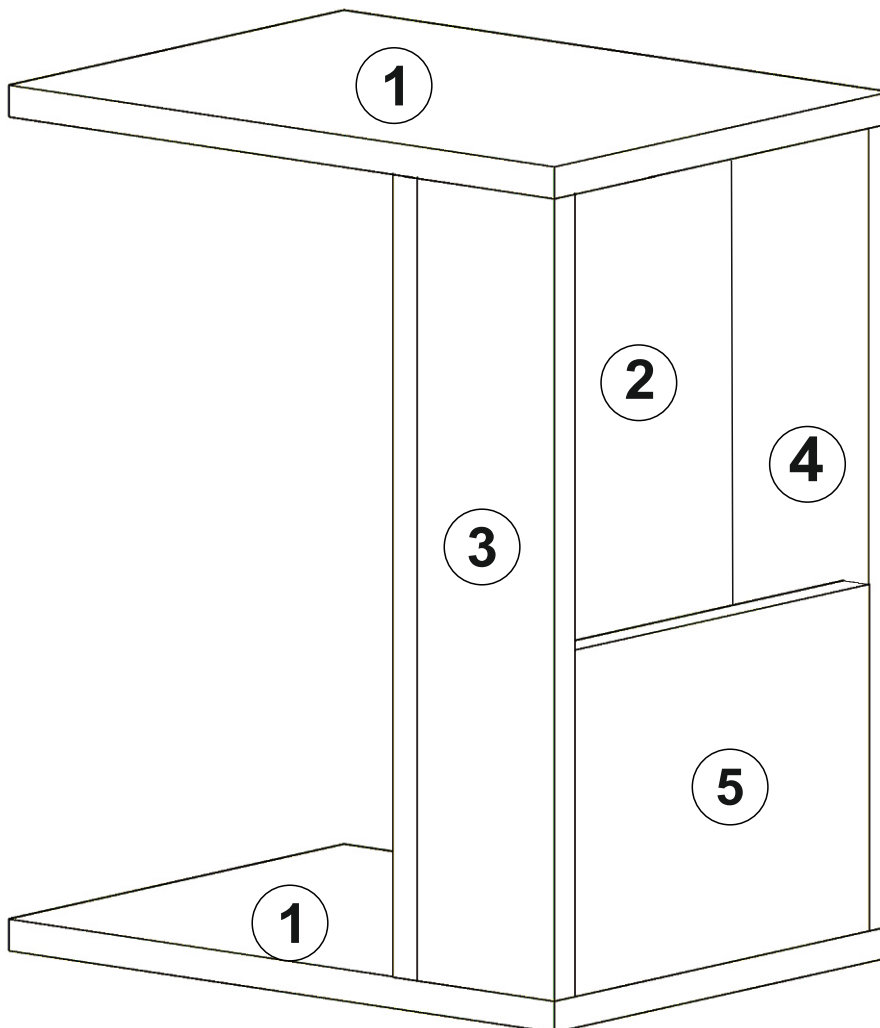


# ACCESSORY LIST

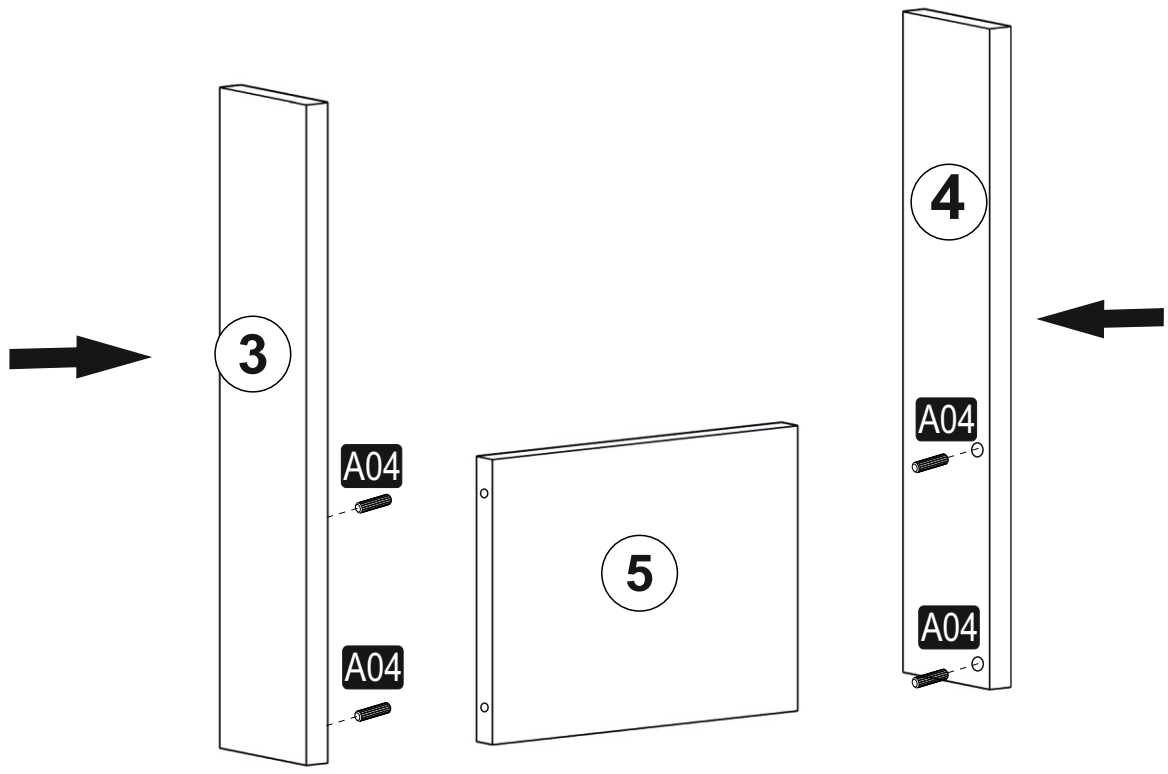
# SERÇE-SPARROW

<b>A23</b>  Minifix M8 8x34 <b>8x</b>	<b>A22</b>  Minifix G18 15x14 <b>8x</b>	<b>A04</b>  KVLV 8x30 <b>8x</b>	<b>A06</b>  18 mm RENK1 <b>8x</b>	
				<b>0x</b>
				<b>0x</b>

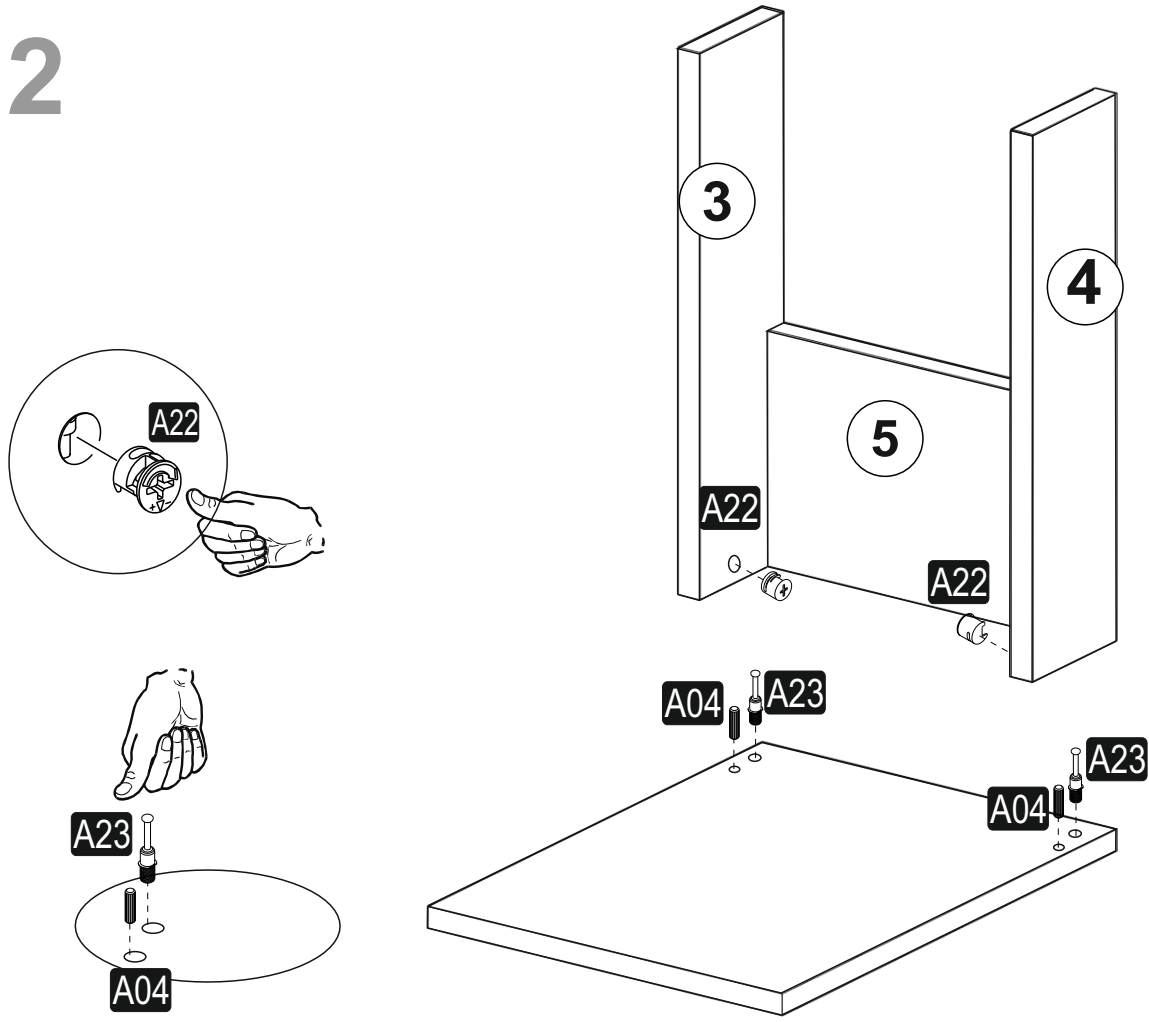
## GENERAL VIEW



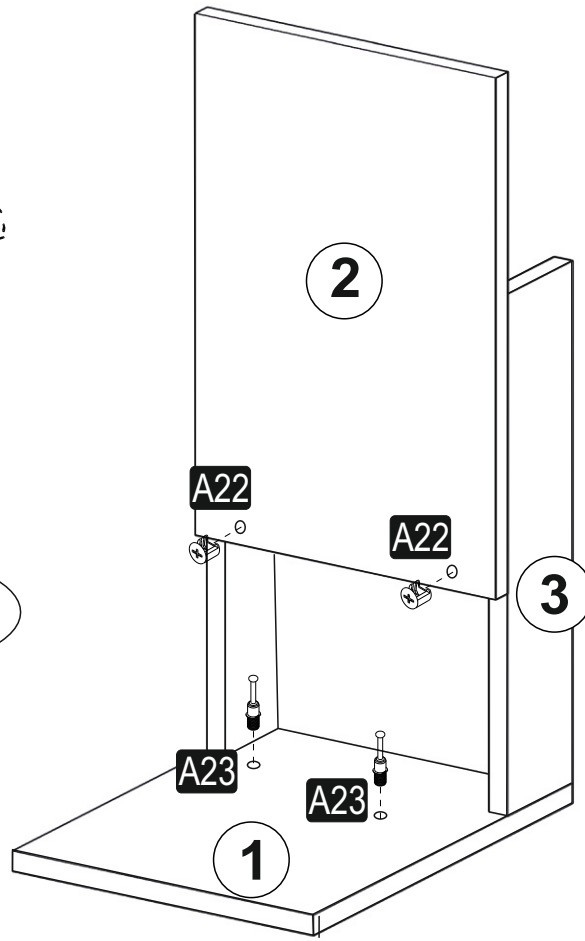
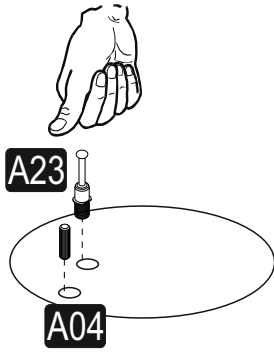
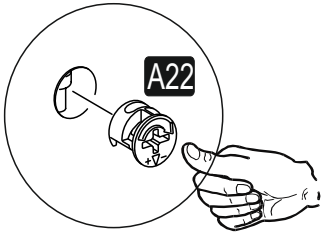
1



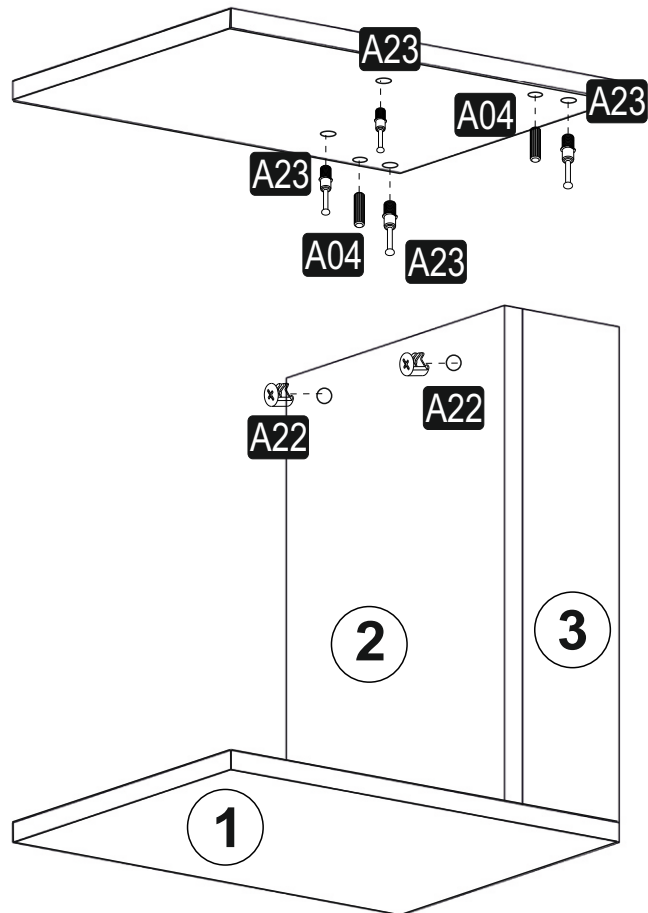
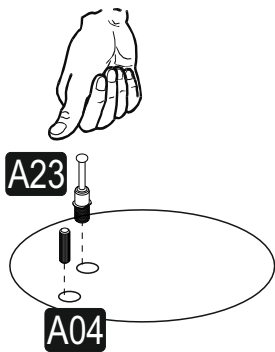
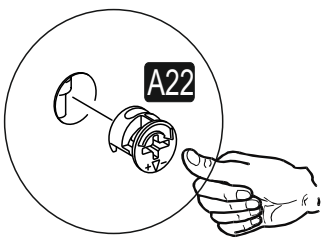
2



3



4



5

