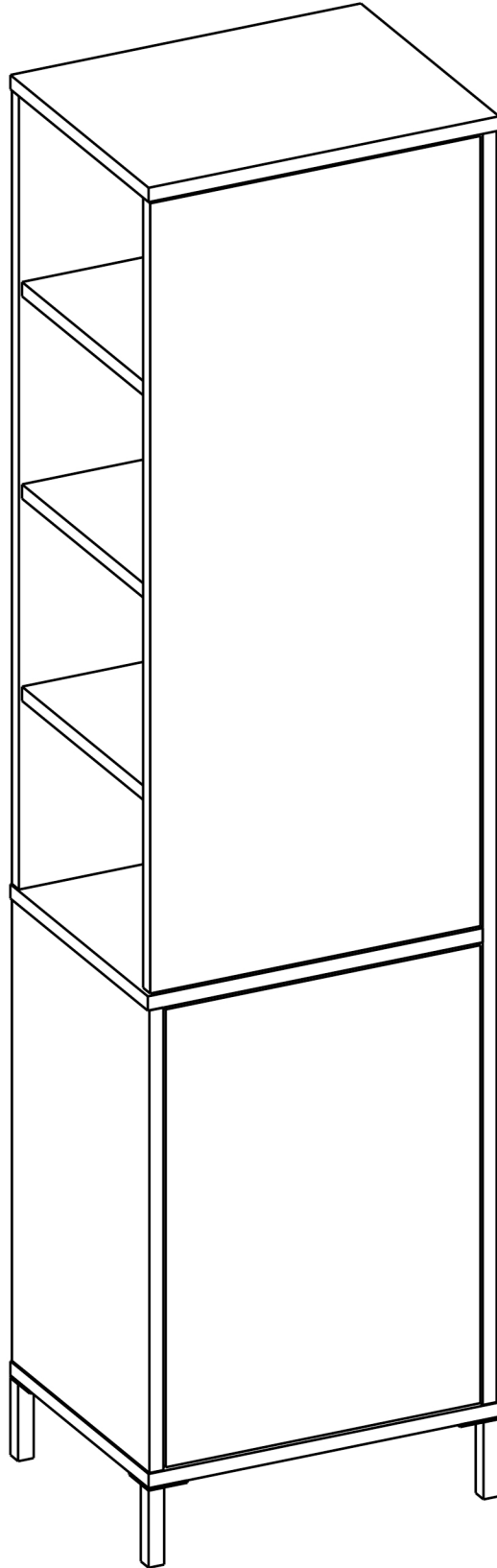


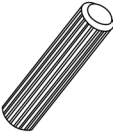
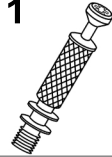

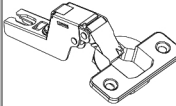
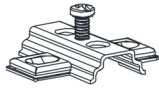
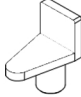
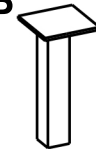





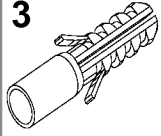
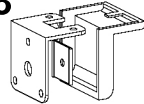

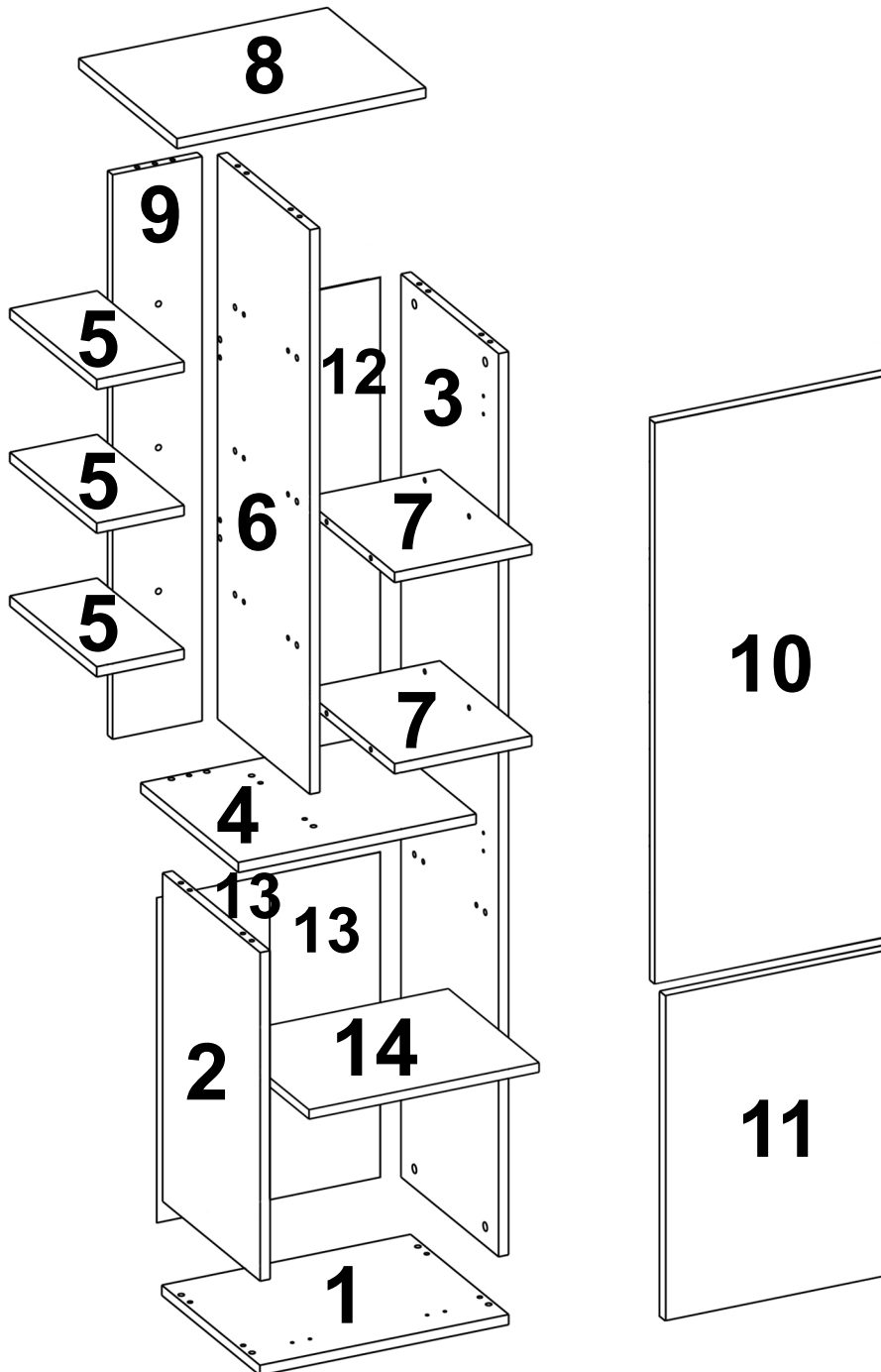
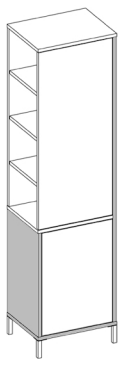


VI1

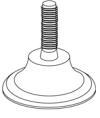


1  B0501 x31	1  B0502 x31	1  B0503 x26	1  B0504 x31	2  B0301 x32
3  B0103 x4	3  B0105 x4	1  B0509 x4	P  D0154 x4	2  B1702 x4
2  B0307 x2	P  B0201 x1	2  B0318 x35	2  B0306 x1	3  B0317 x1
3  B1303 x1	 B0507 x8			



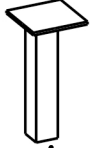


B1702



x4

D0154



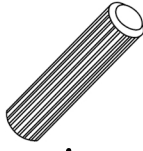
x4

B0502



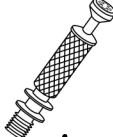
x4

B0503



x4

B0504



x4

B0501

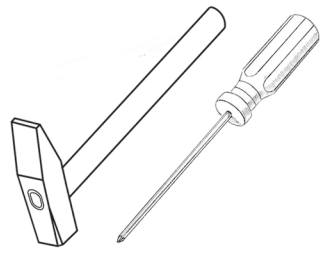


x4

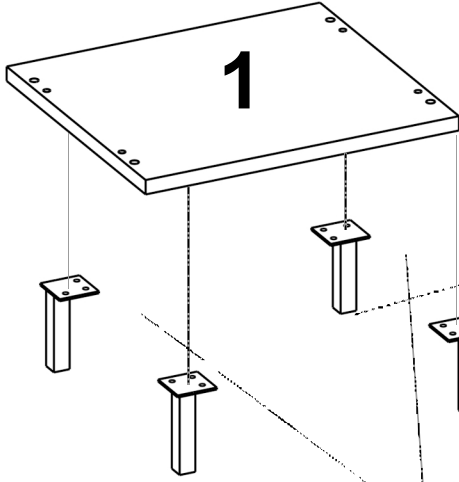
B0301



x12



1

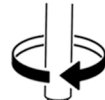
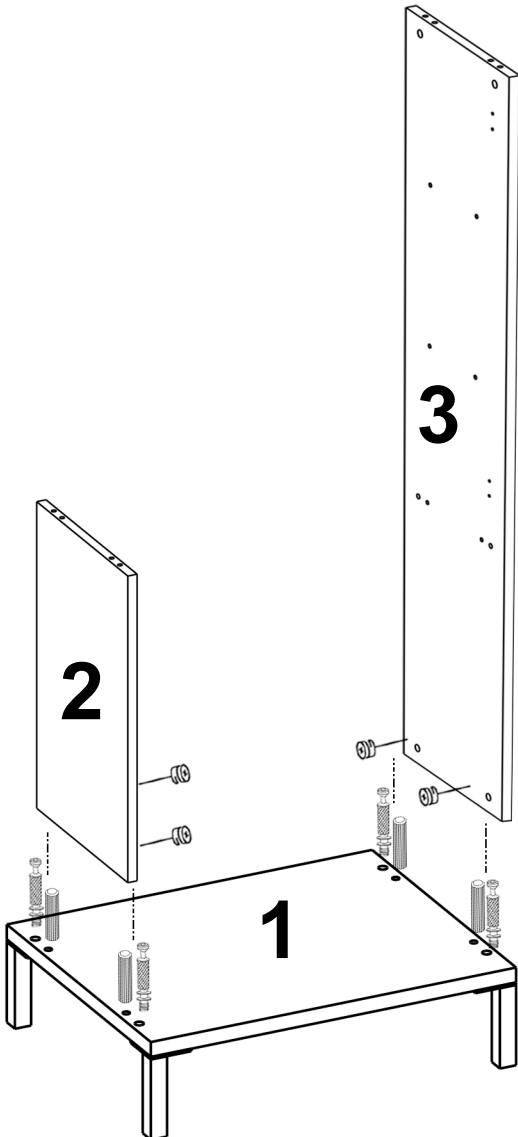


B1702



B0301

2



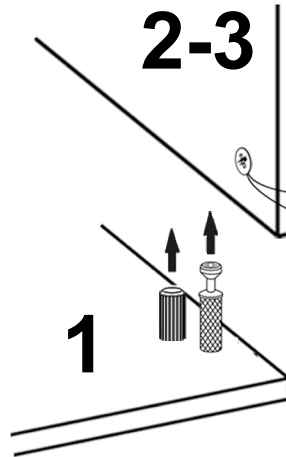
B0504

B0503

B0501

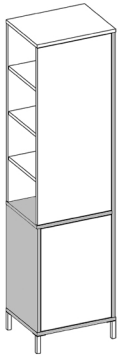
1

2-3



B0502

3

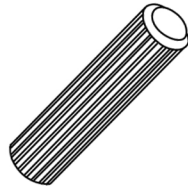


B0502



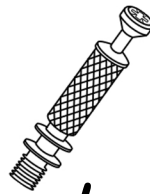
x4

B0503



x4

B0504

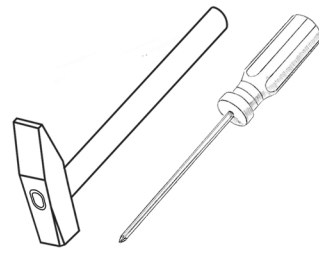


x4

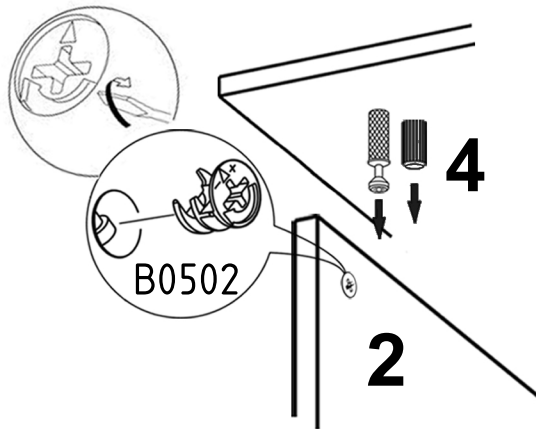
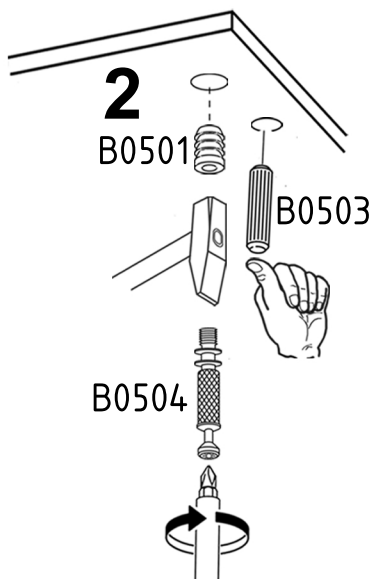
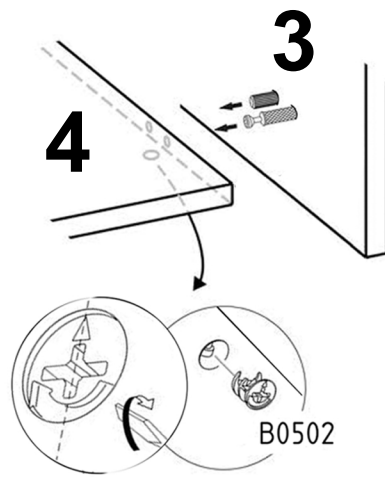
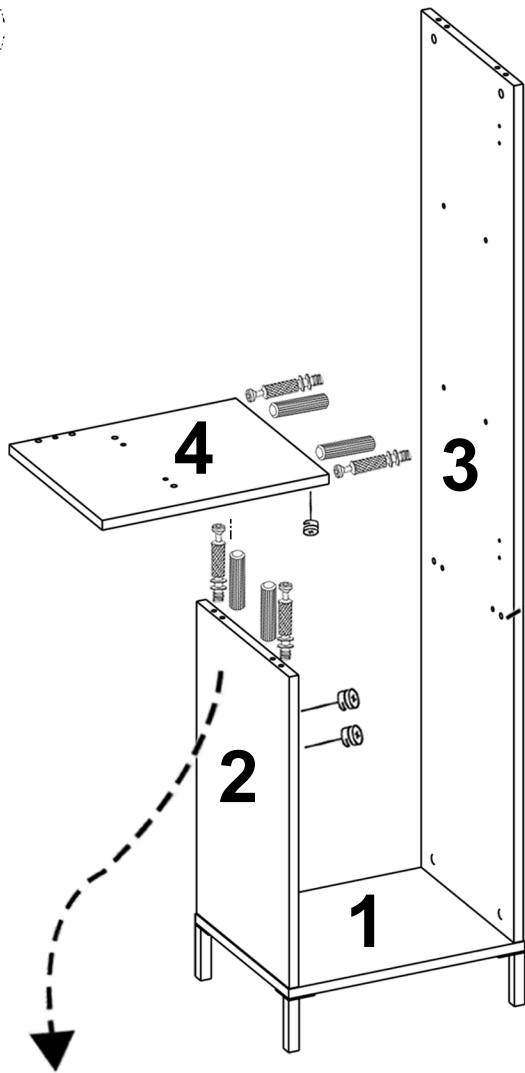
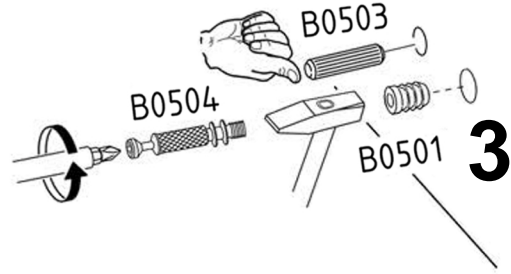
B0501



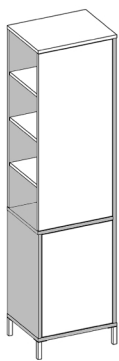
x4



3



4



B0502

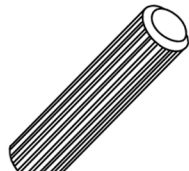
B0503

B0504

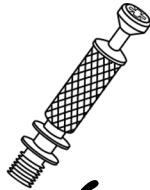
B0501



x6



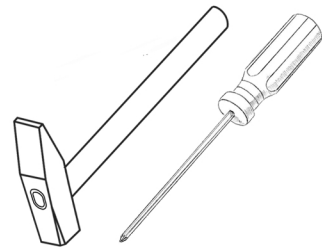
x5



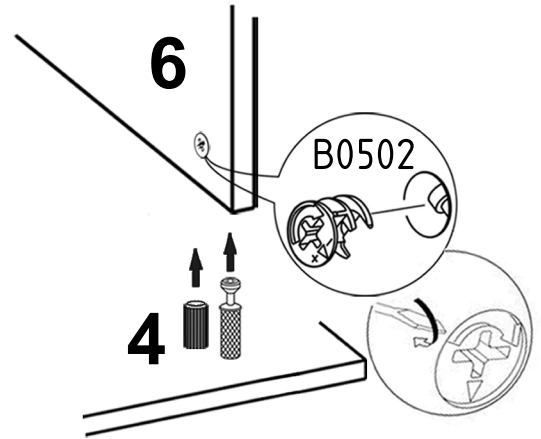
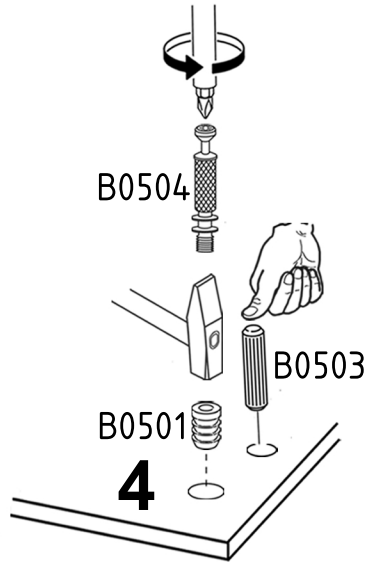
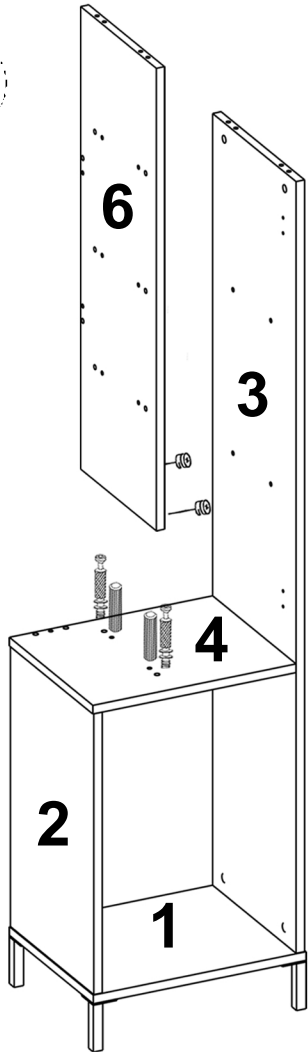
x6



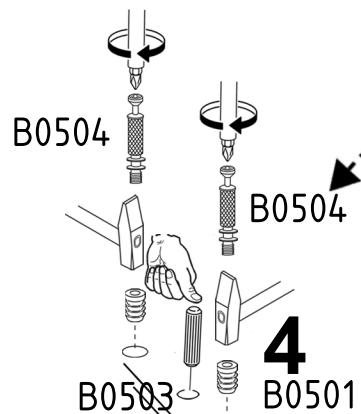
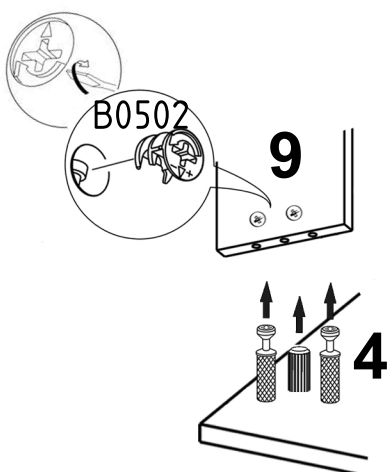
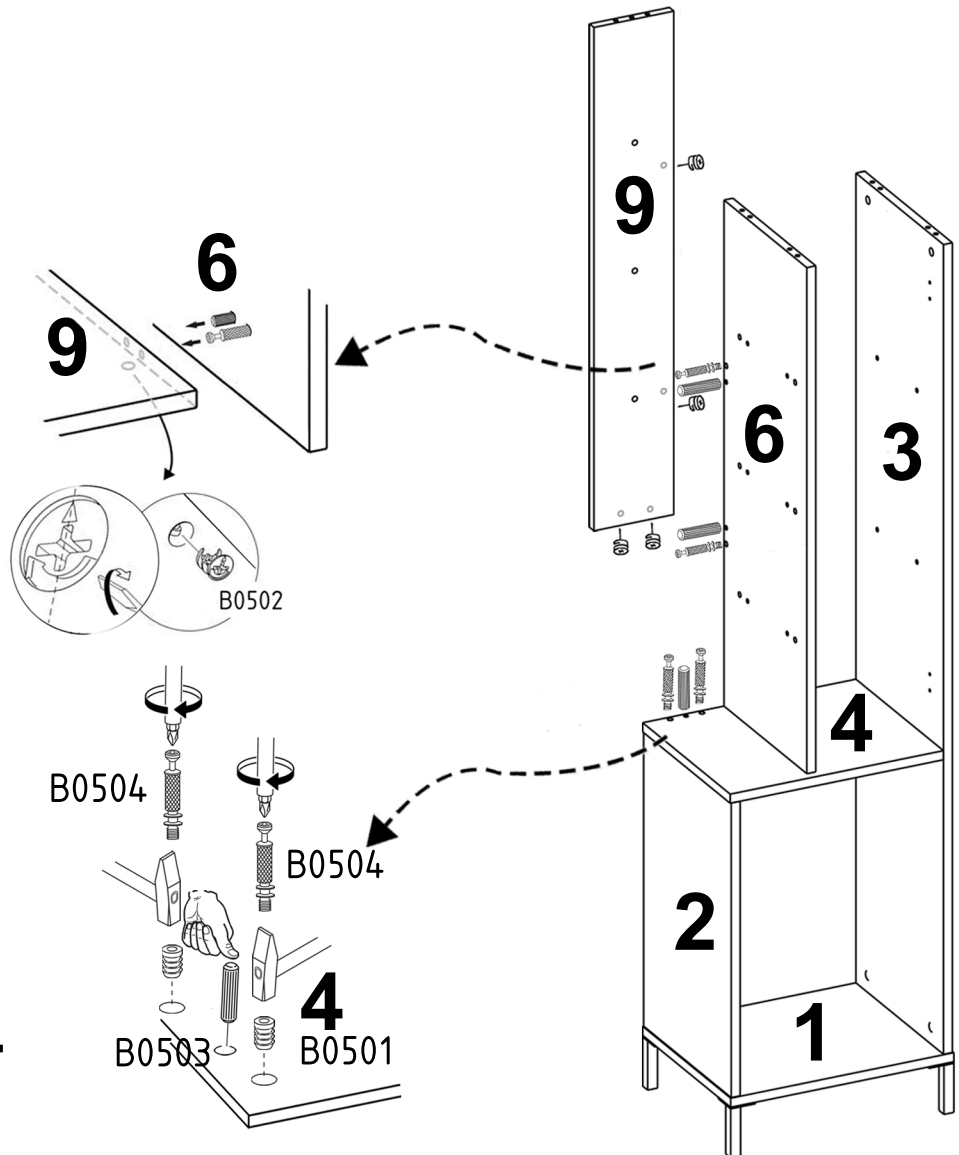
x6



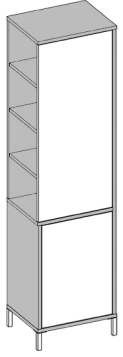
4



5



5

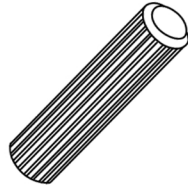


B0502

B0503

B0504

B0501

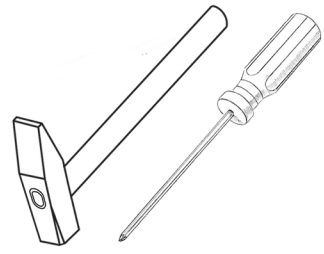


x15

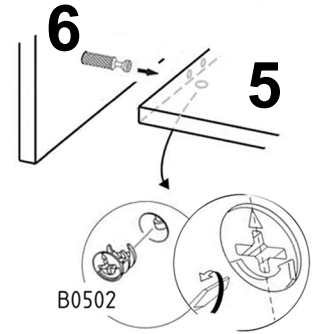
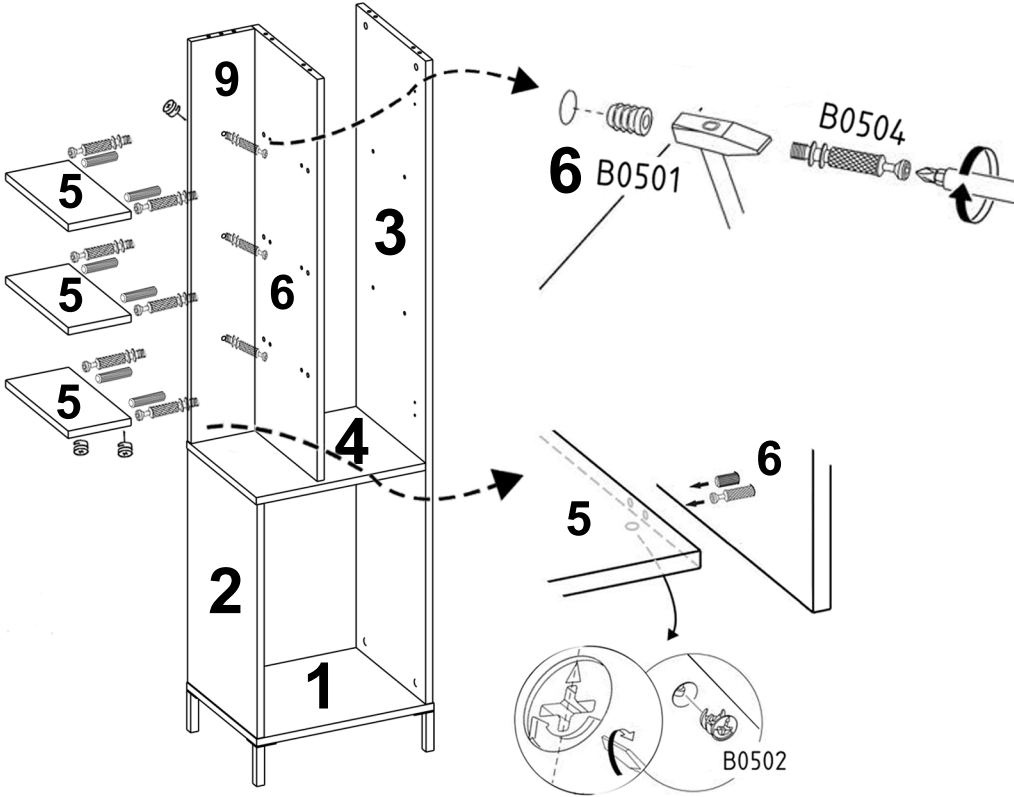
x11

x15

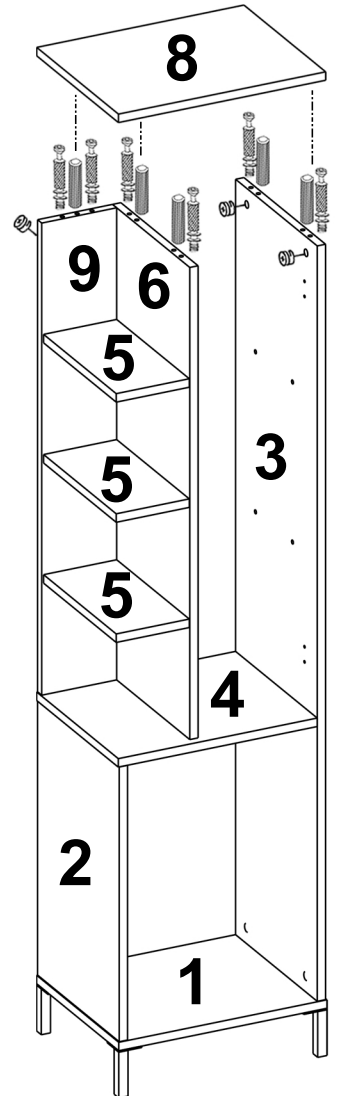
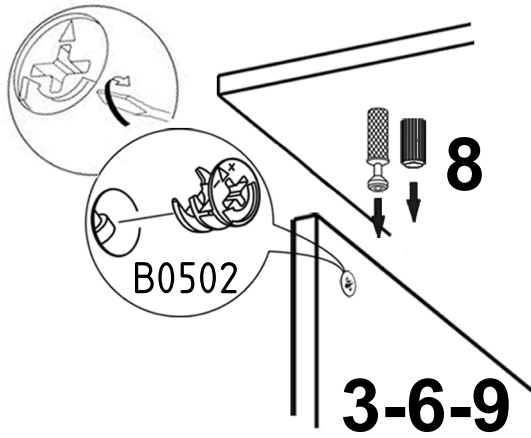
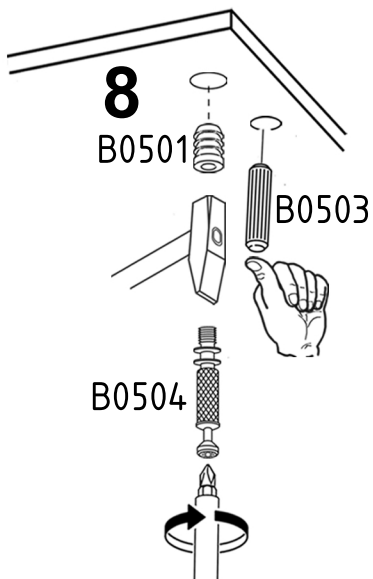
x15



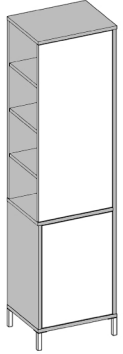
6



7



6



B0507

B0509

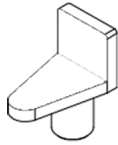
B0103

B0105

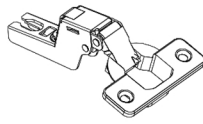
B0301



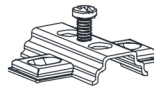
x8



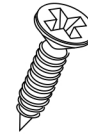
x4



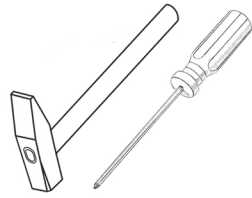
x4



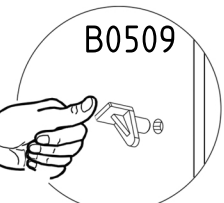
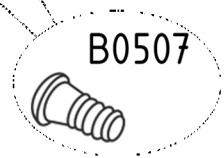
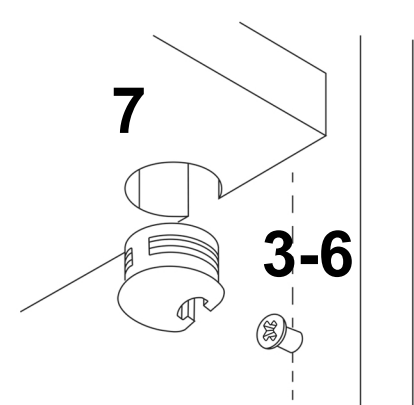
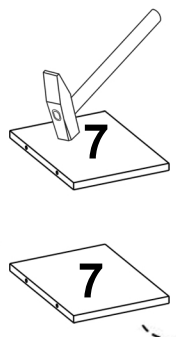
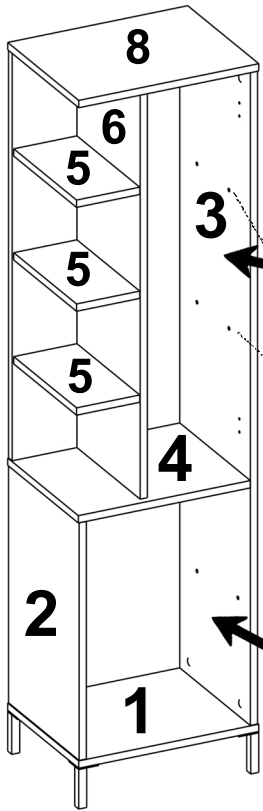
x4



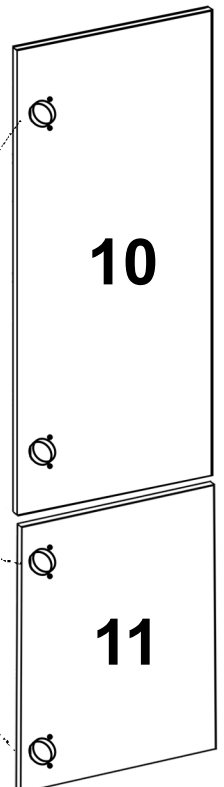
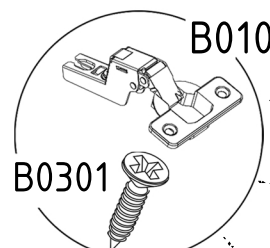
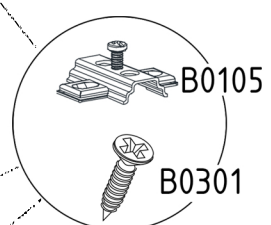
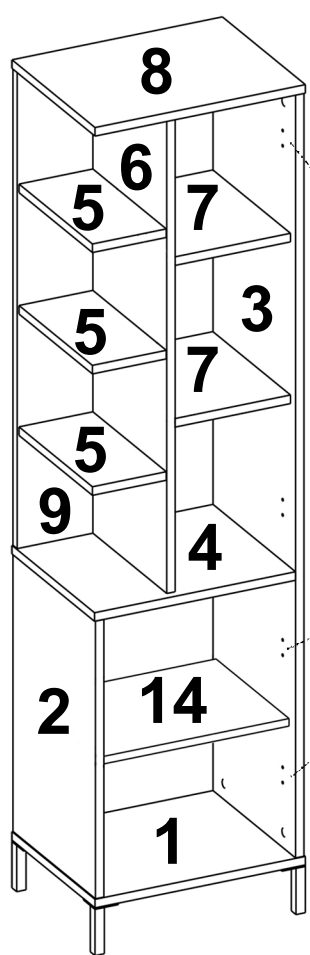
x16

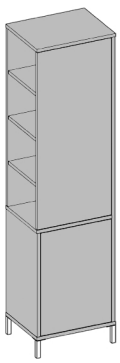


8



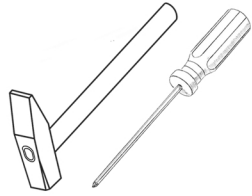
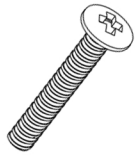
9





B0307

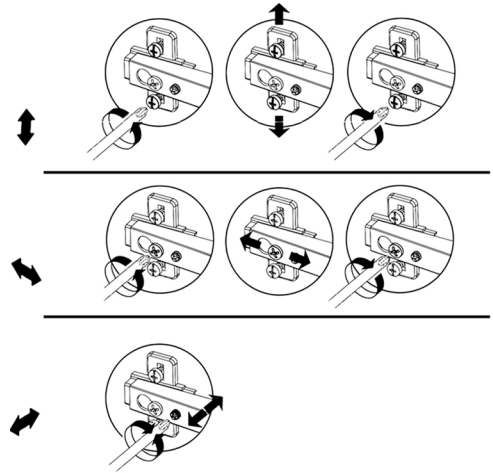
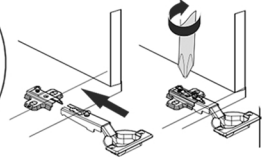
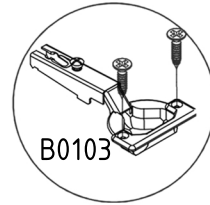
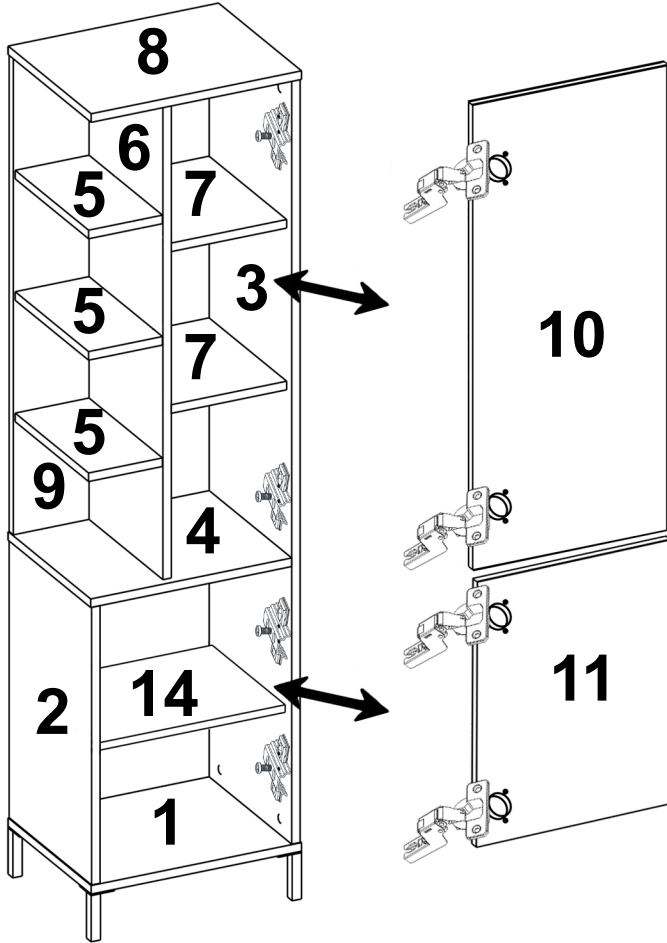
B0201



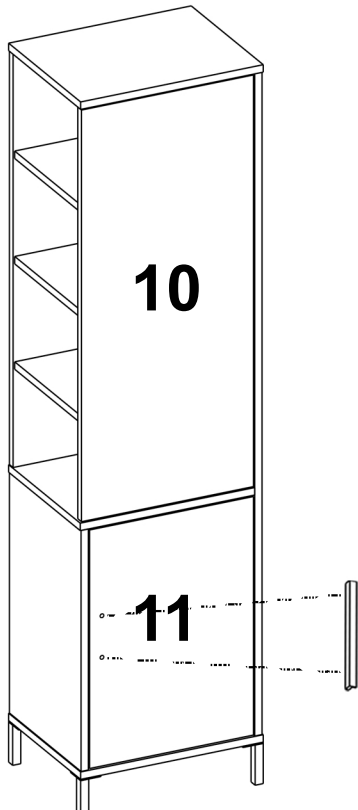
x2

x1

10

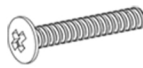


11

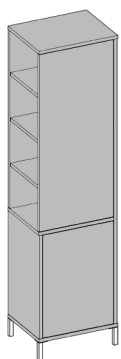


B0307

B0201



11

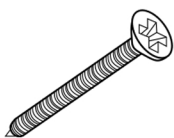


B0318



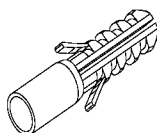
x35

B0306



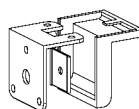
x1

B0317



x1

B1303

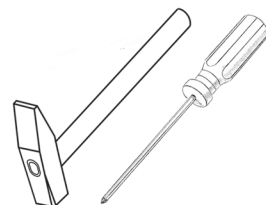


x1

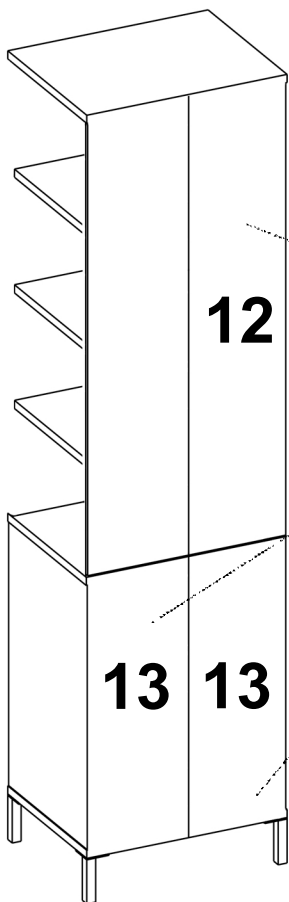
B0301



x2

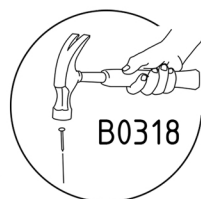


12



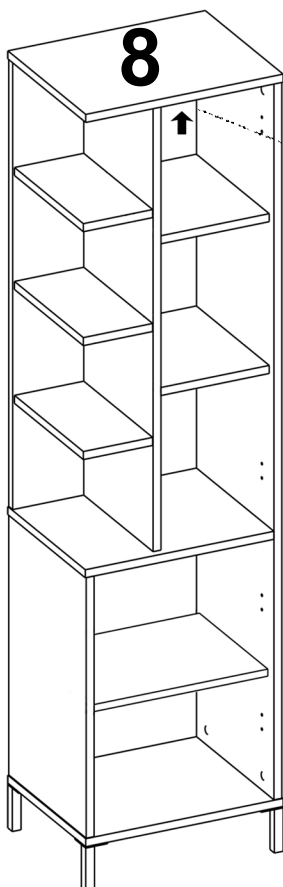
12

13 13

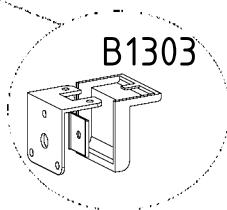


B0318

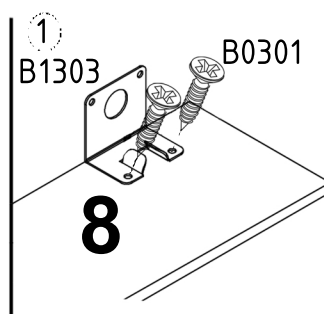
13



8



B1303

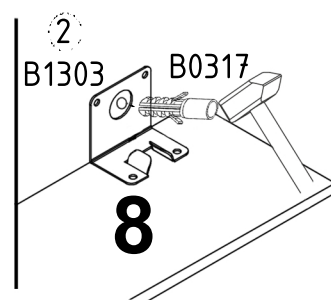


1

B1303

B0301

8

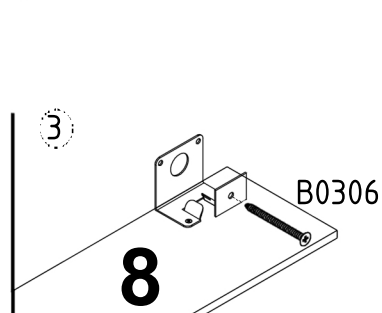


2

B1303

B0317

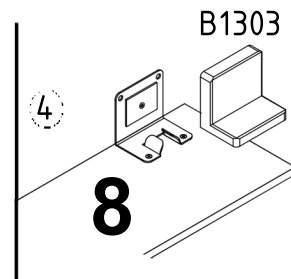
8



3

8

B0306



4

8

B1303

9