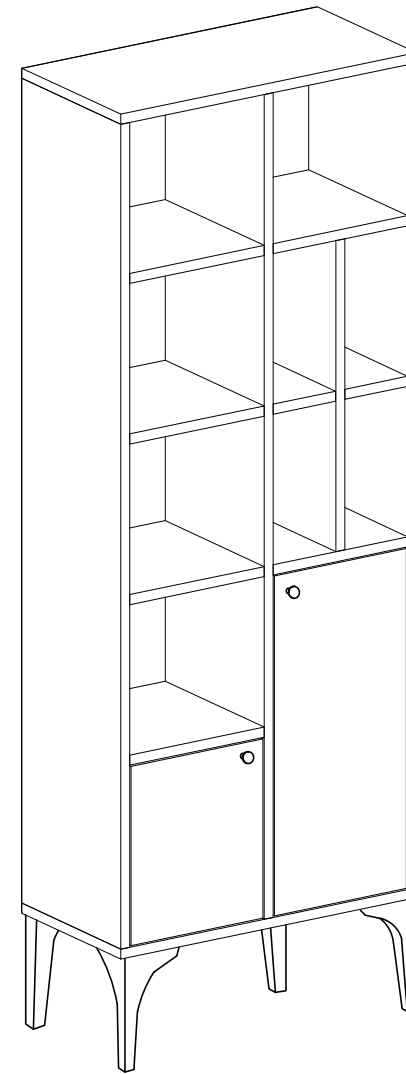
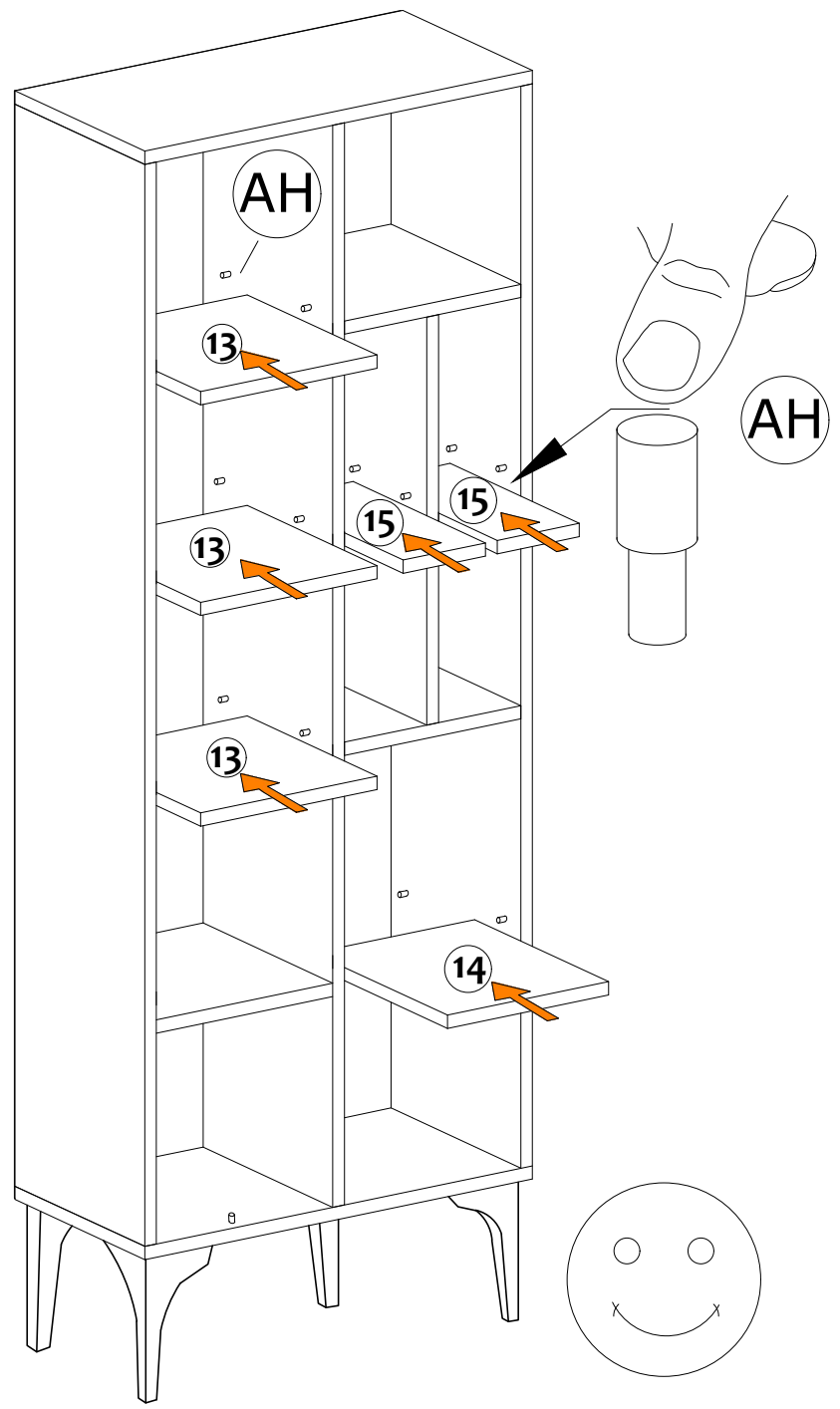
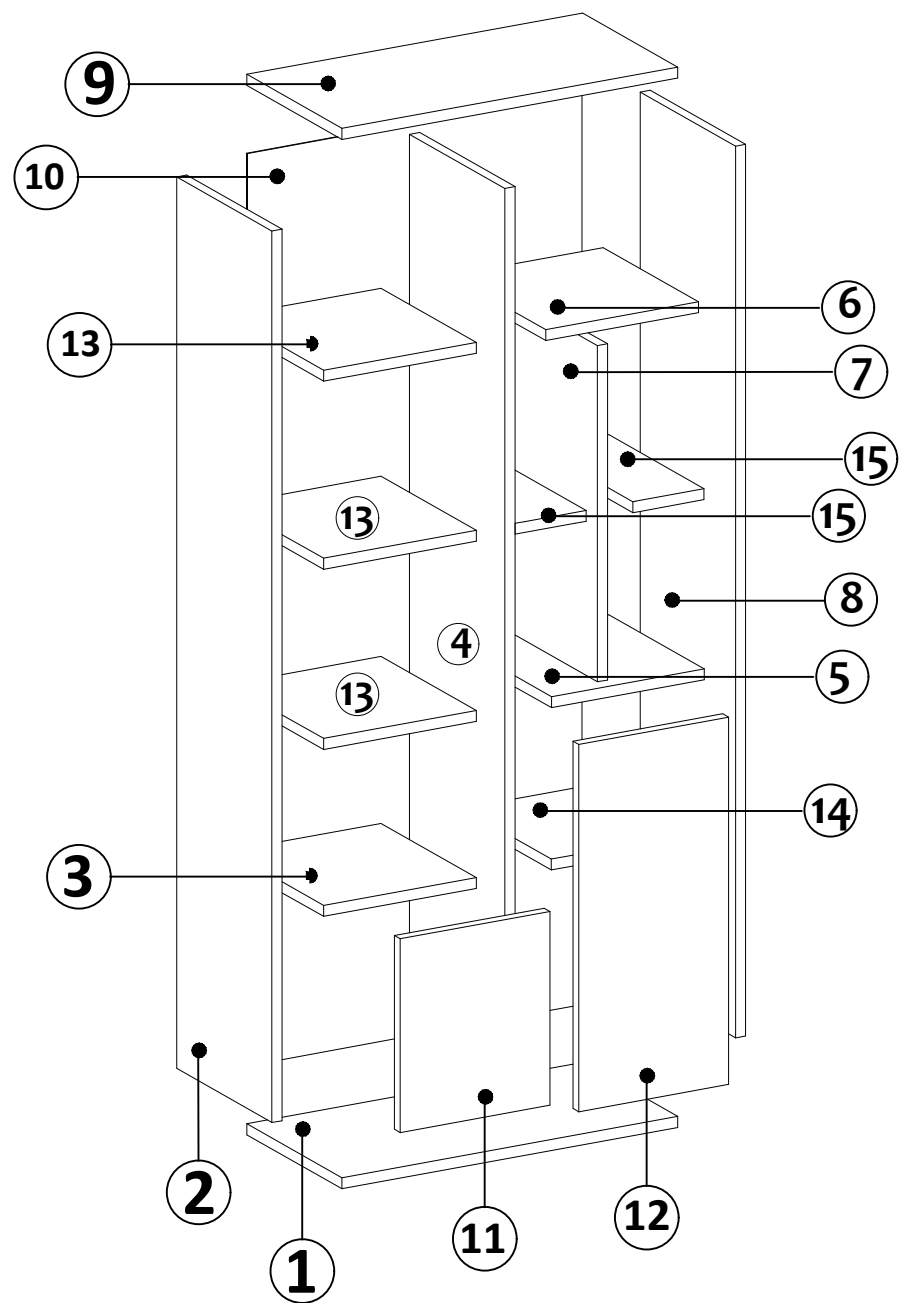


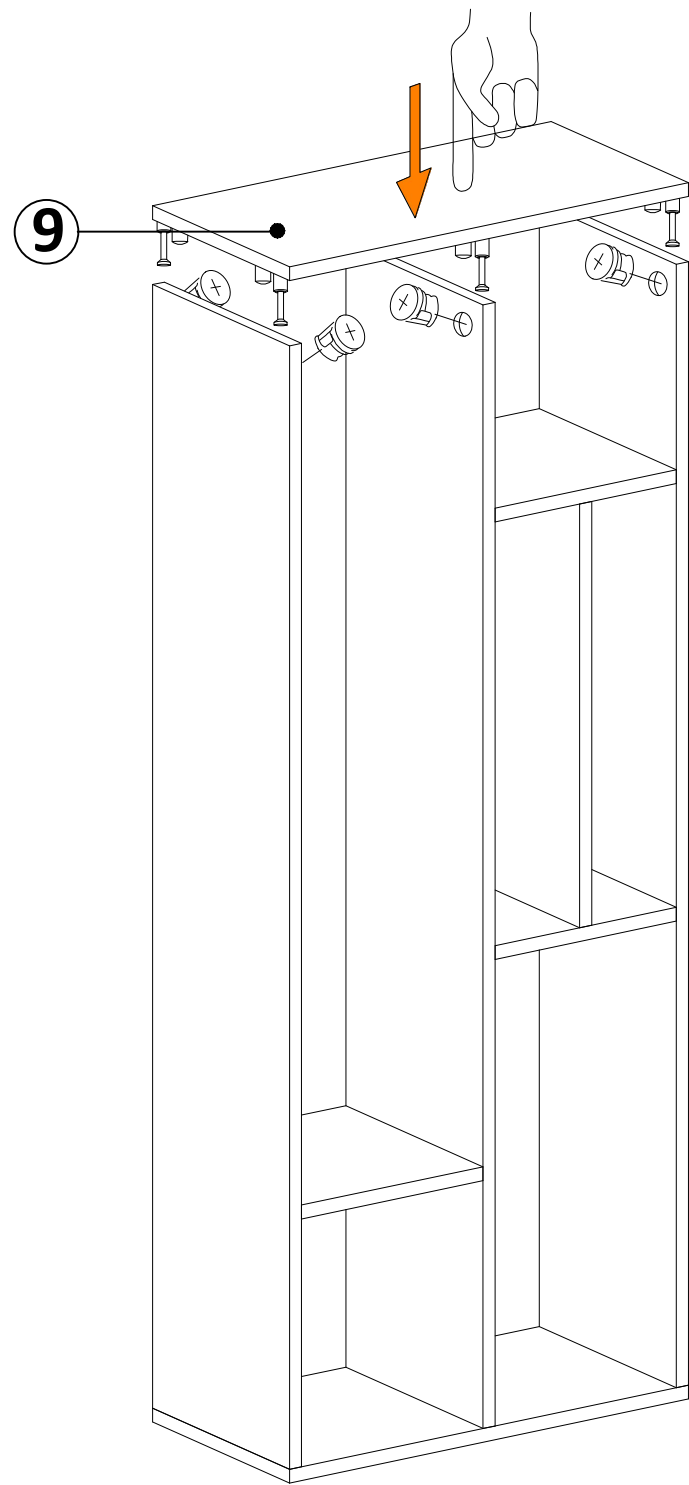
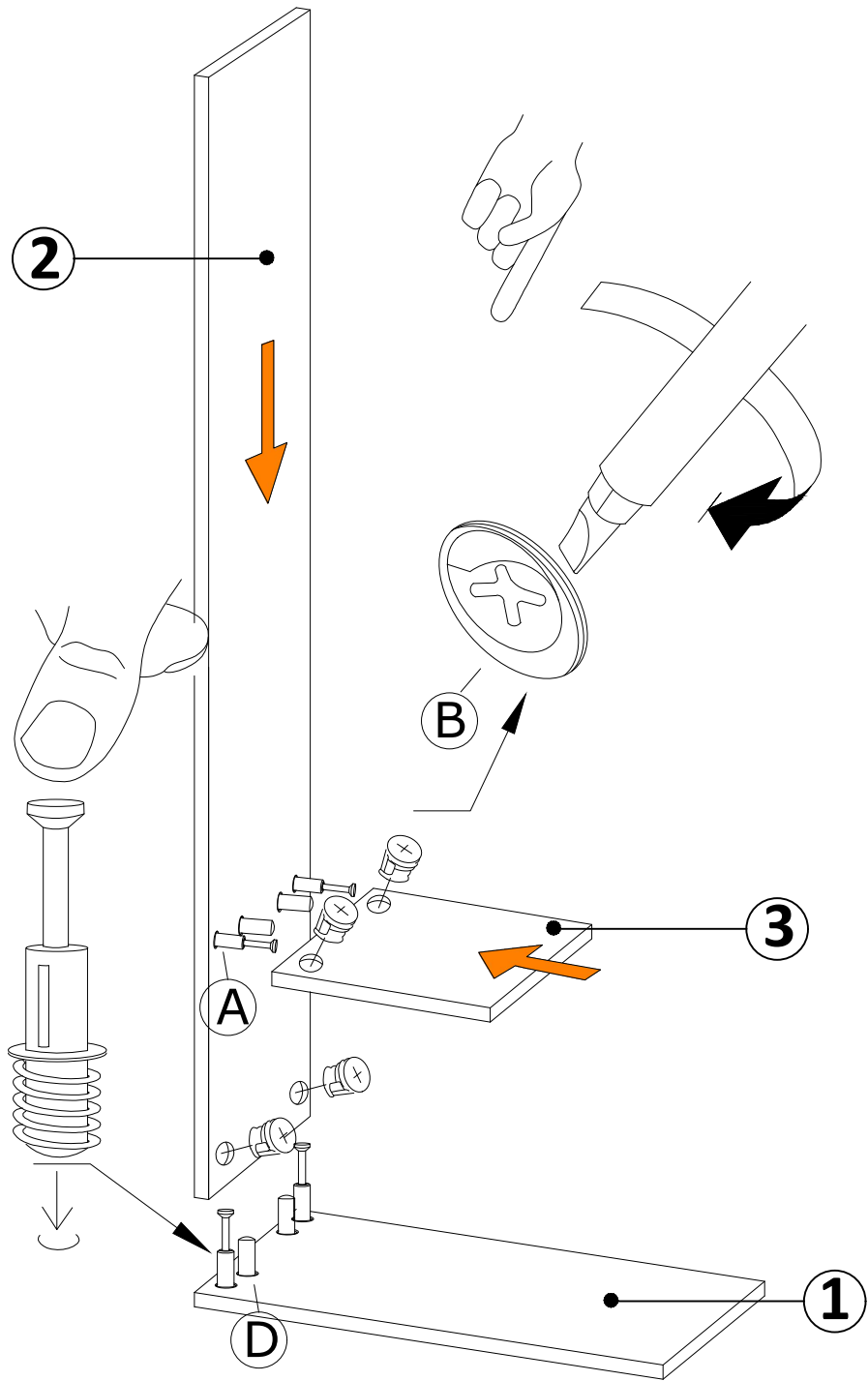
DEC0033 CASTOR

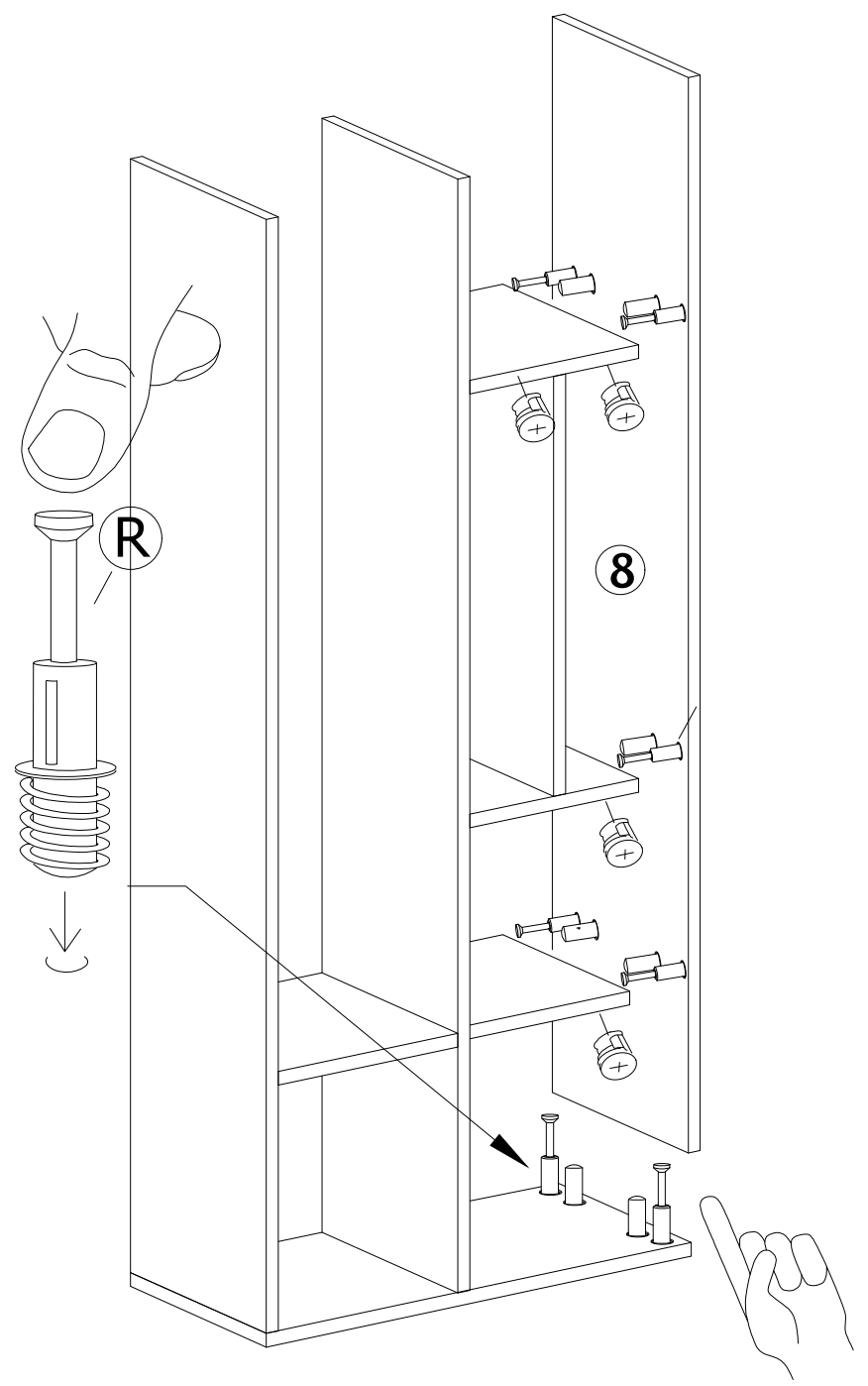
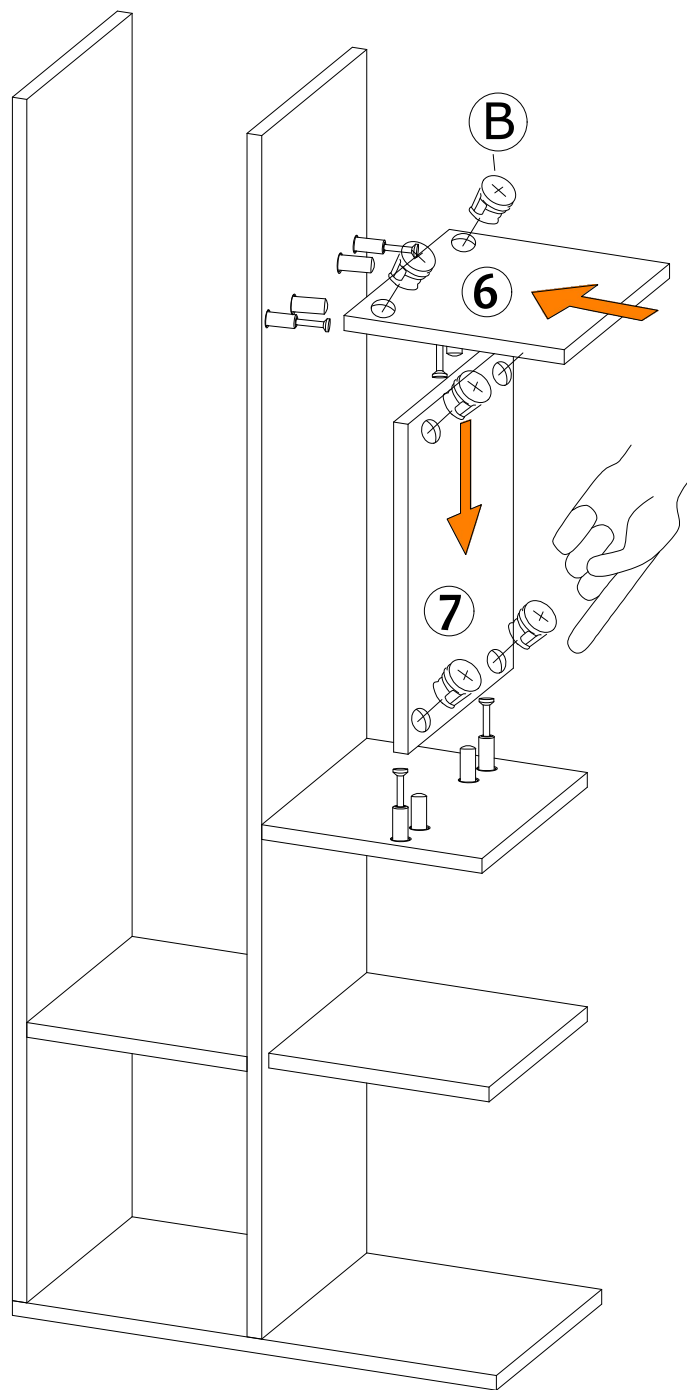


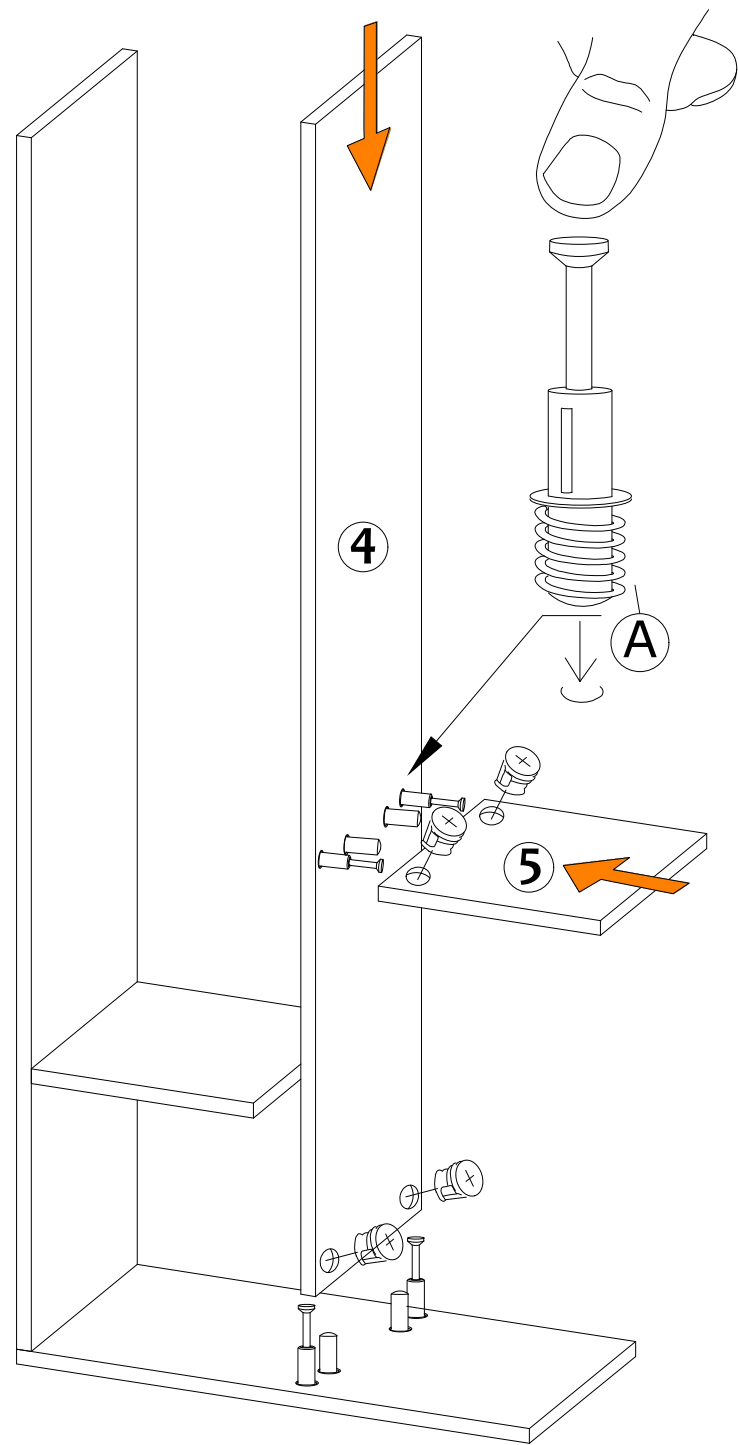
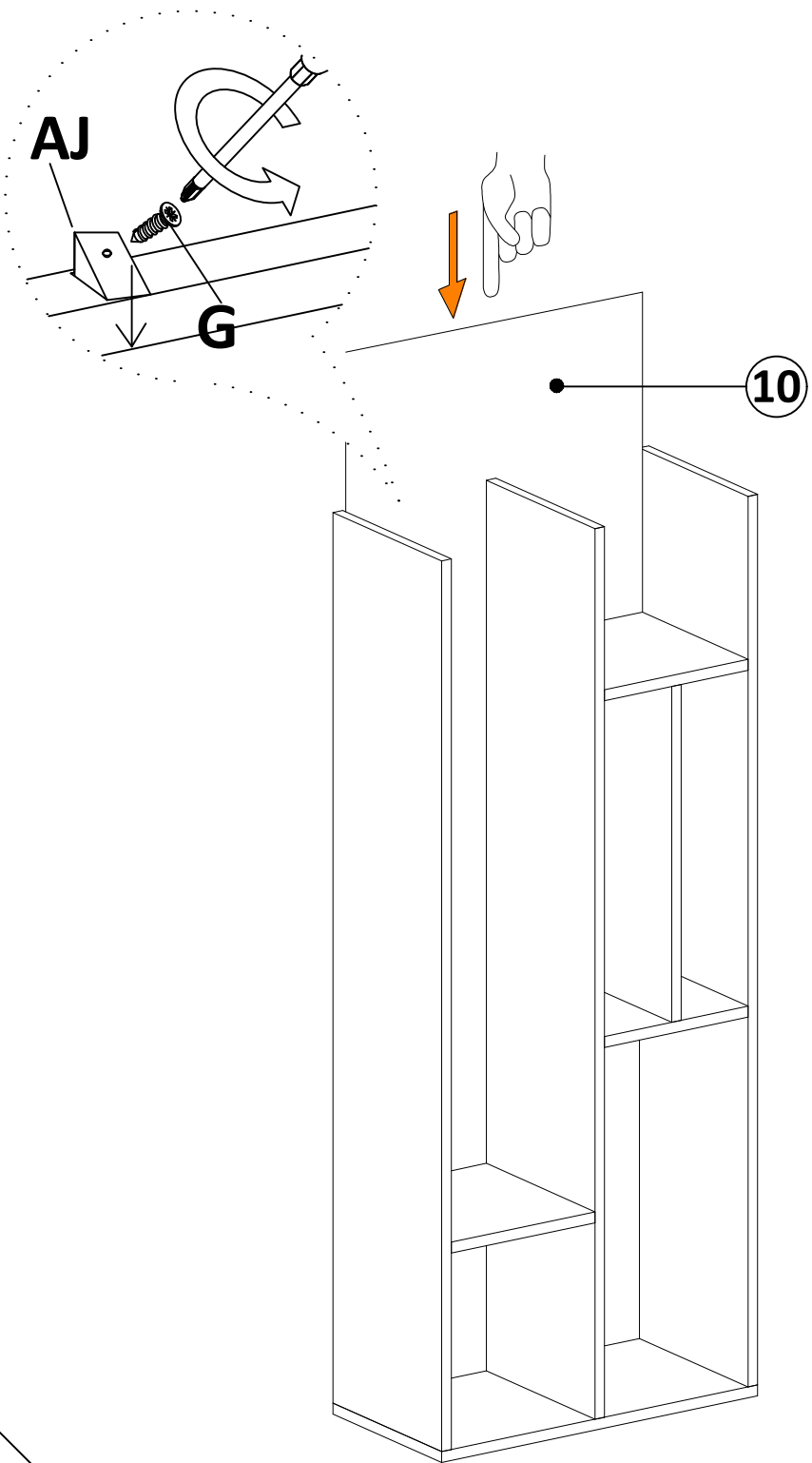
DECORMET

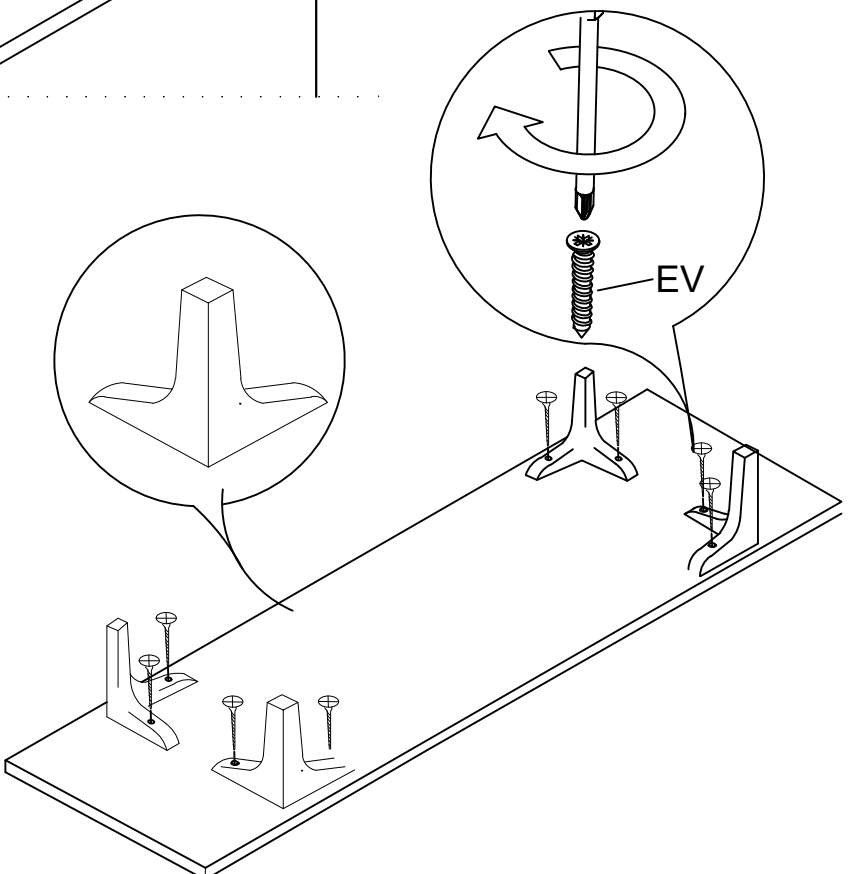
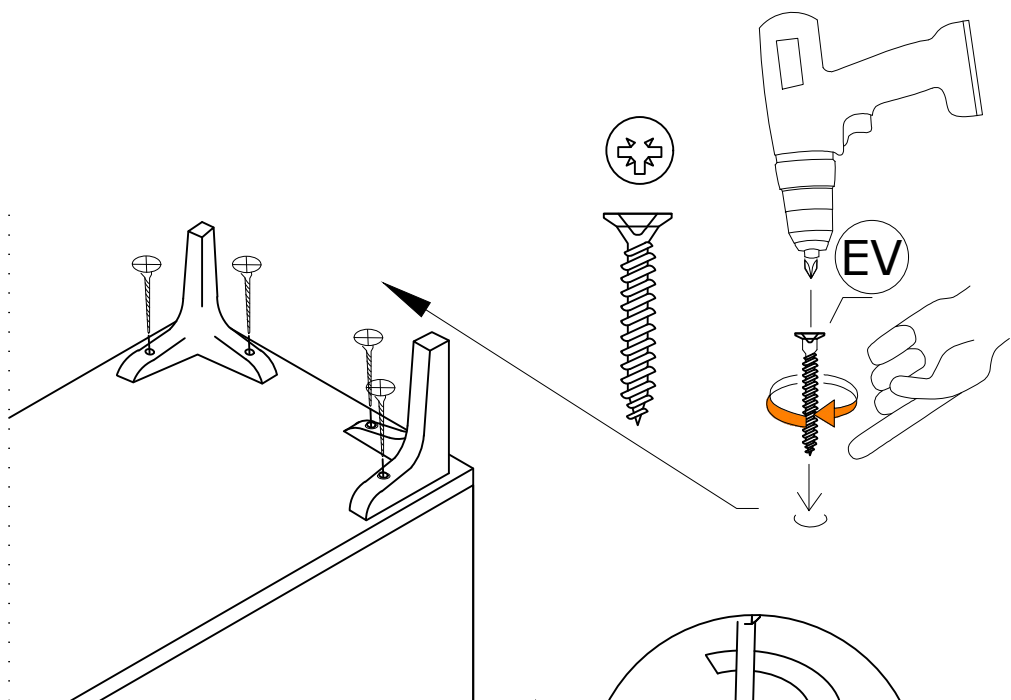
DEC0033 CASTOR



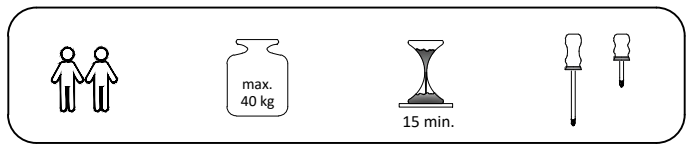


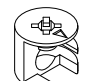
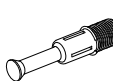
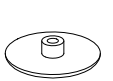
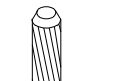
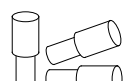
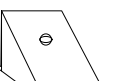



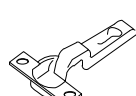

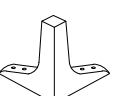






MATERIALS



| | | | | | |
|---|---|--|---|---|--|
|  x24 |  x24 |  x24 |  x24 |  x26 |  x4 |
| B | A | C | D | AH | AJ |
| MINIFIX BODY | MINIFIX GIB | MIN.STOPPER | DOWEL | SHELF BUTTON | PLASTIC JOINING |
|  x2 |  x2 |  x 12 |  x4 |  x20 |  x4 |
| O | R | EV | U | I | BN |
| HANDLE SCREW | HANDLE | 4x35 SCREW | HINGE (CRANK 16) | 3,5x18 SCREW | 250 mm PVC LEG |

| NO | DEC0033 CASTOR | PIECE |
|----|-----------------------|-------|
| 1 | BOTTOM PART | 1 PC |
| 2 | LEFT PART | 1 PC |
| 3 | FIXED PART | 1 PC |
| 4 | MIDDLE PART | 1 PC |
| 5 | FIXED PART | 1 PC |
| 6 | FIXED PART | 1 PC |
| 7 | MIDDLE PART | 1 PC |
| 8 | RIGHT SIDE PART | 1 PC |
| 9 | TOP PART | 1 PC |
| 10 | BACK PART | 1 PC |
| 11 | COVER LEFT SIDE PART | 1 PC |
| 12 | COVER RIGHT SIDE PART | 1 PC |
| 13 | SHELF PARTS | 3 PCS |
| 14 | SHELF PART | 1 PC |
| 15 | SHELF PARTS | 2 PCS |