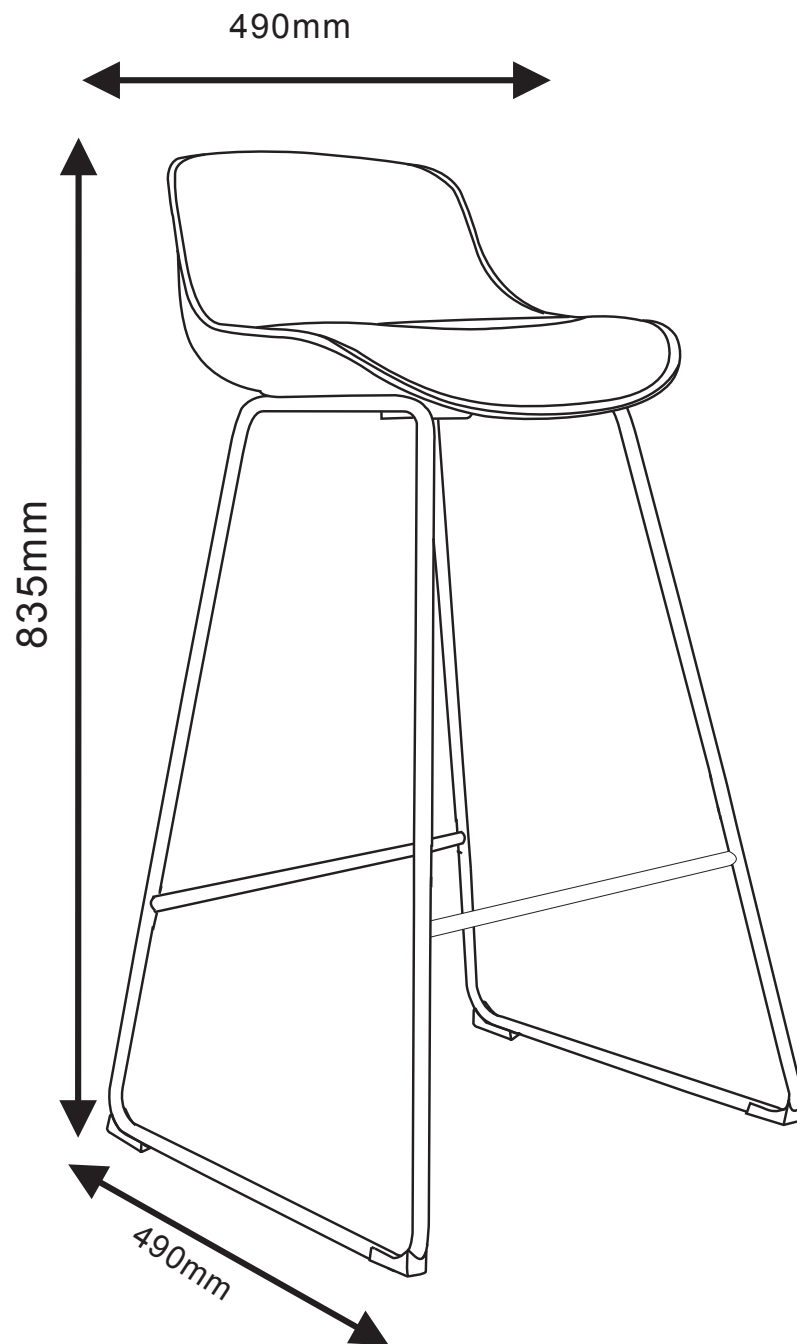
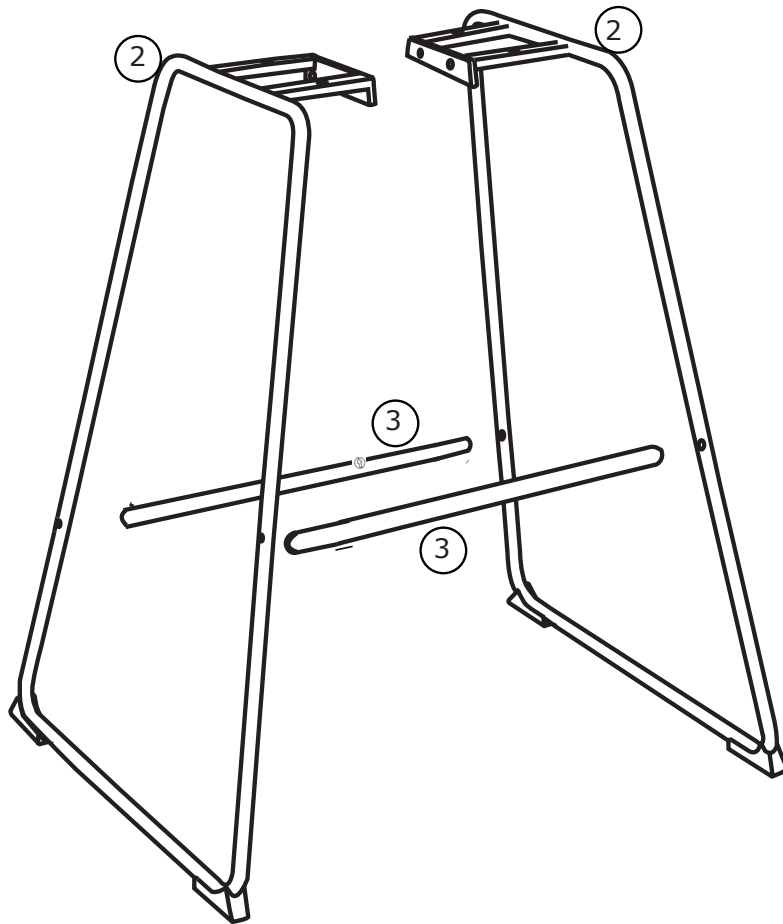
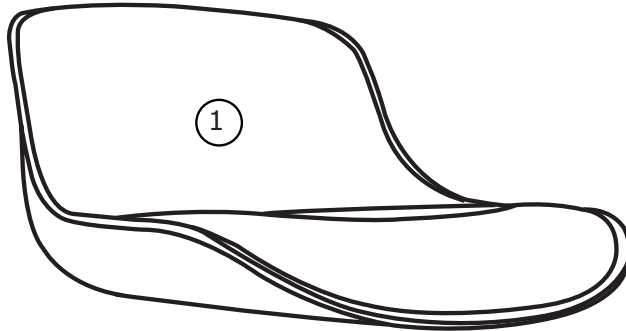
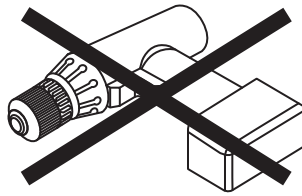


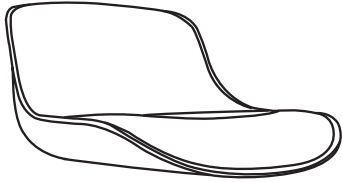
TINA COUNTER STOOL





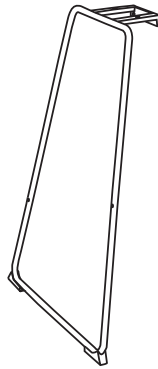
Fittings & Tools

①



410×430×260mm

②×2






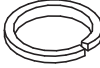



250×600×490mm

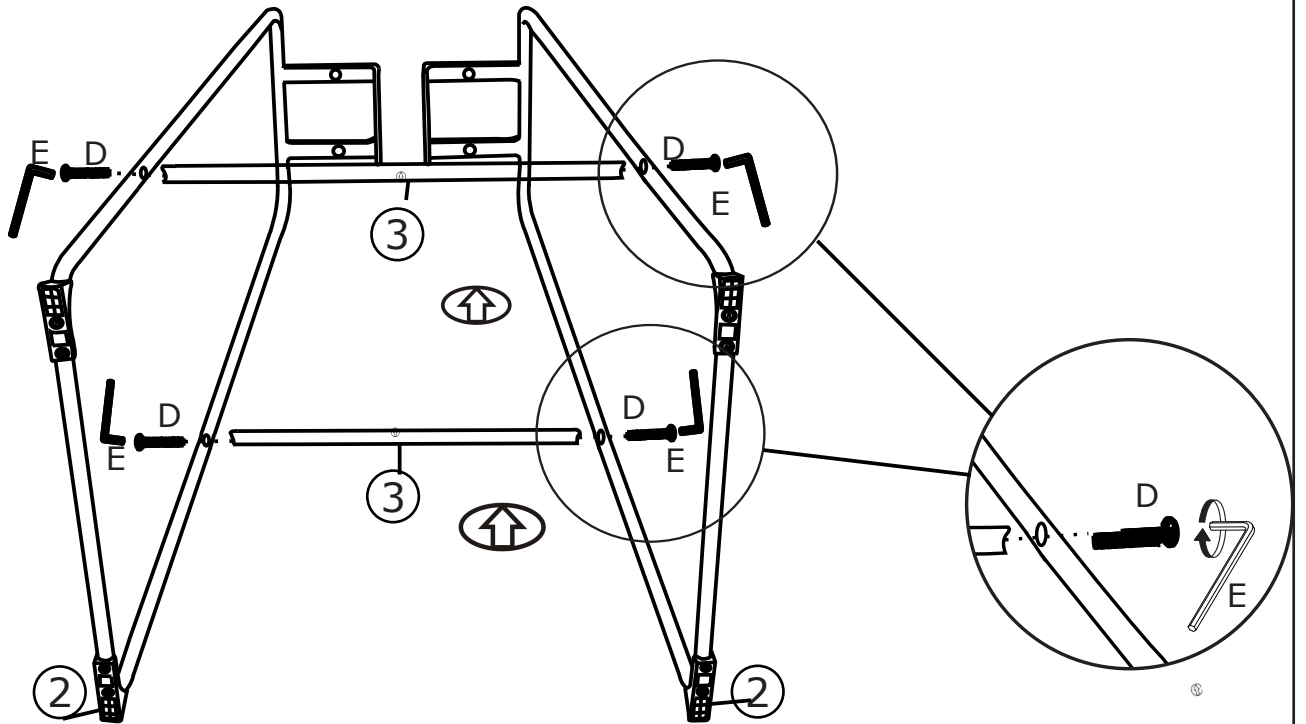
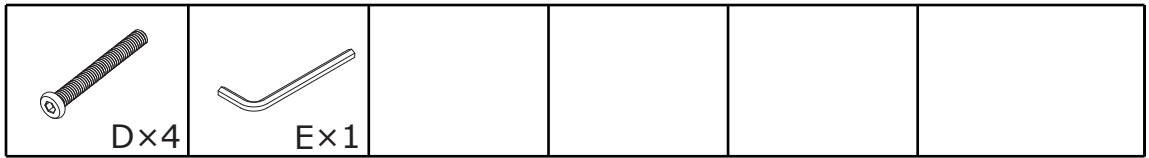
③×2



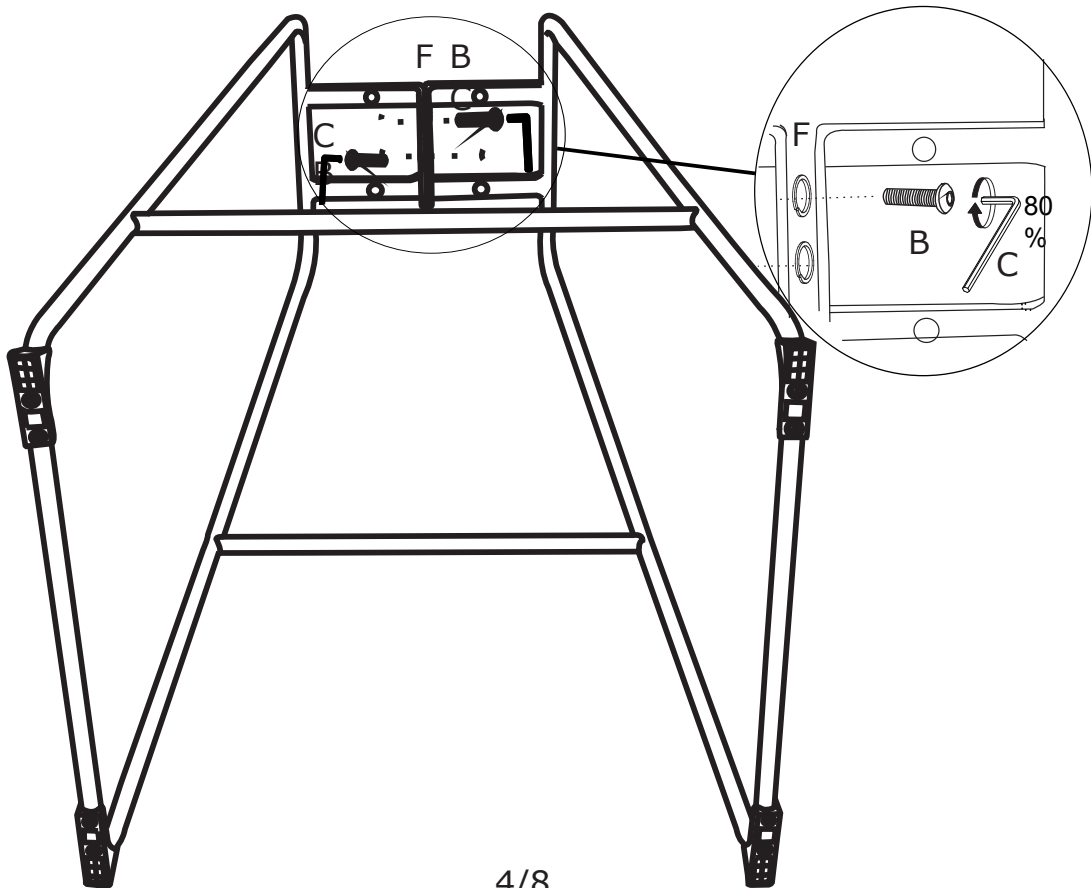
φ14×372mm

<p>A×4</p>  <p>M6×25mm</p>	<p>B×2</p>  <p>M6×12mm</p>	<p>C×1</p>  <p>M6</p>	<p>D×4</p>  <p>M6×30mm</p>
<p>E×1</p>  <p>M5</p>	<p>F×6</p>  <p>φ10*φ6*2mm</p>	<p>G×4</p>  <p>φ16*φ6*1mm</p>	




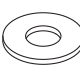
1

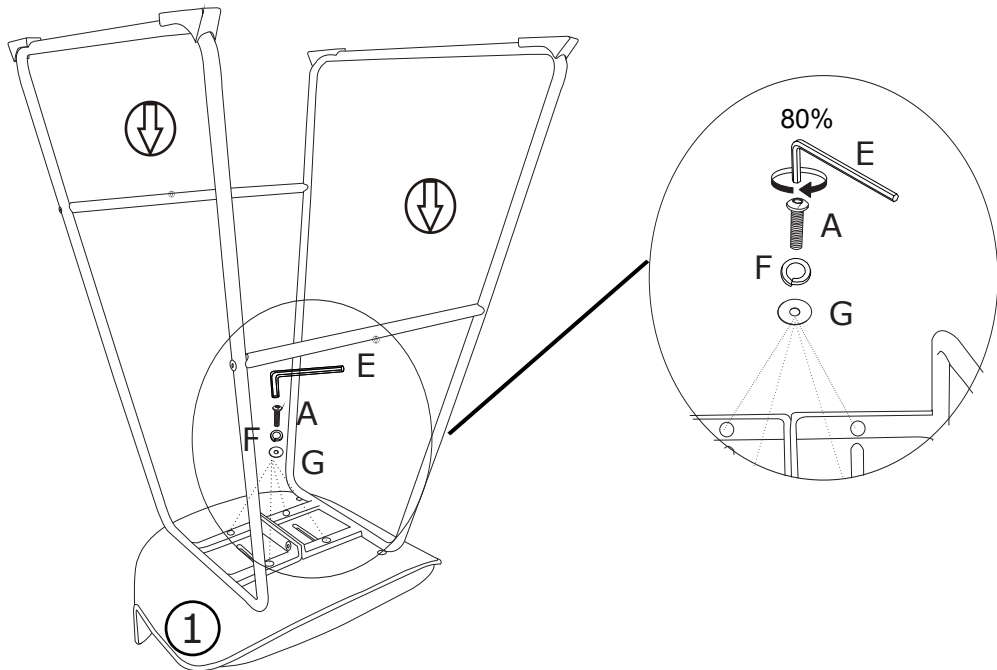


2




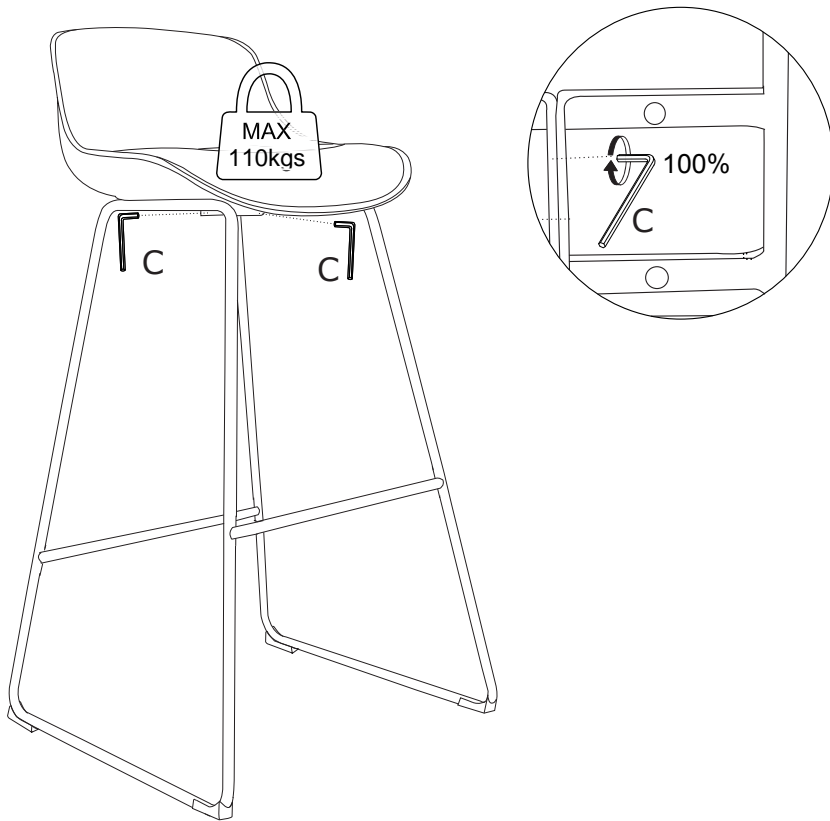
3

 A x 4	 E x 1	 F x 4	 G x 4		
--------------------------------------------------------------------------------------------	--------------------------------------------------------------------------------------------	--------------------------------------------------------------------------------------------	---------------------------------------------------------------------------------------------	--	--



4

 C x 1					
----------------------------------------------------------------------------------------------	--	--	--	--	--



5

 Ex1					
------------------------------------------------------------------------------------------	--	--	--	--	--

