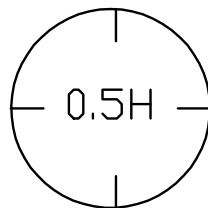
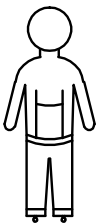
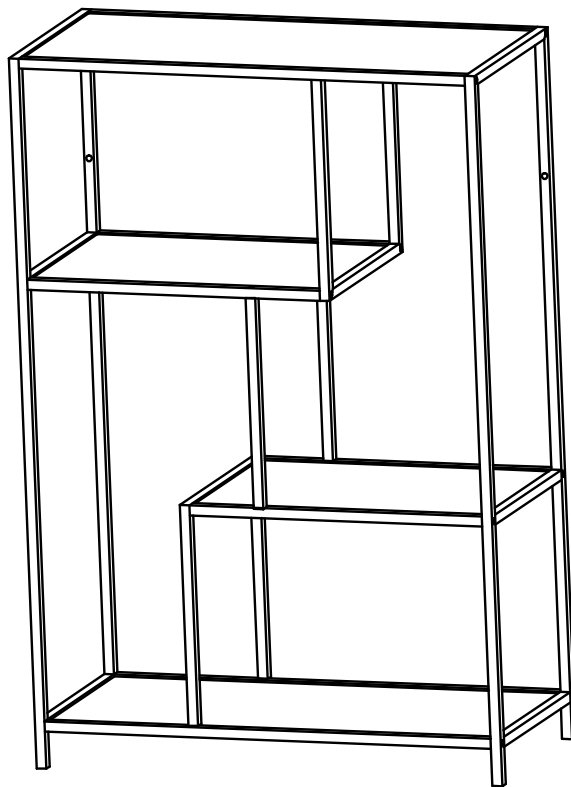
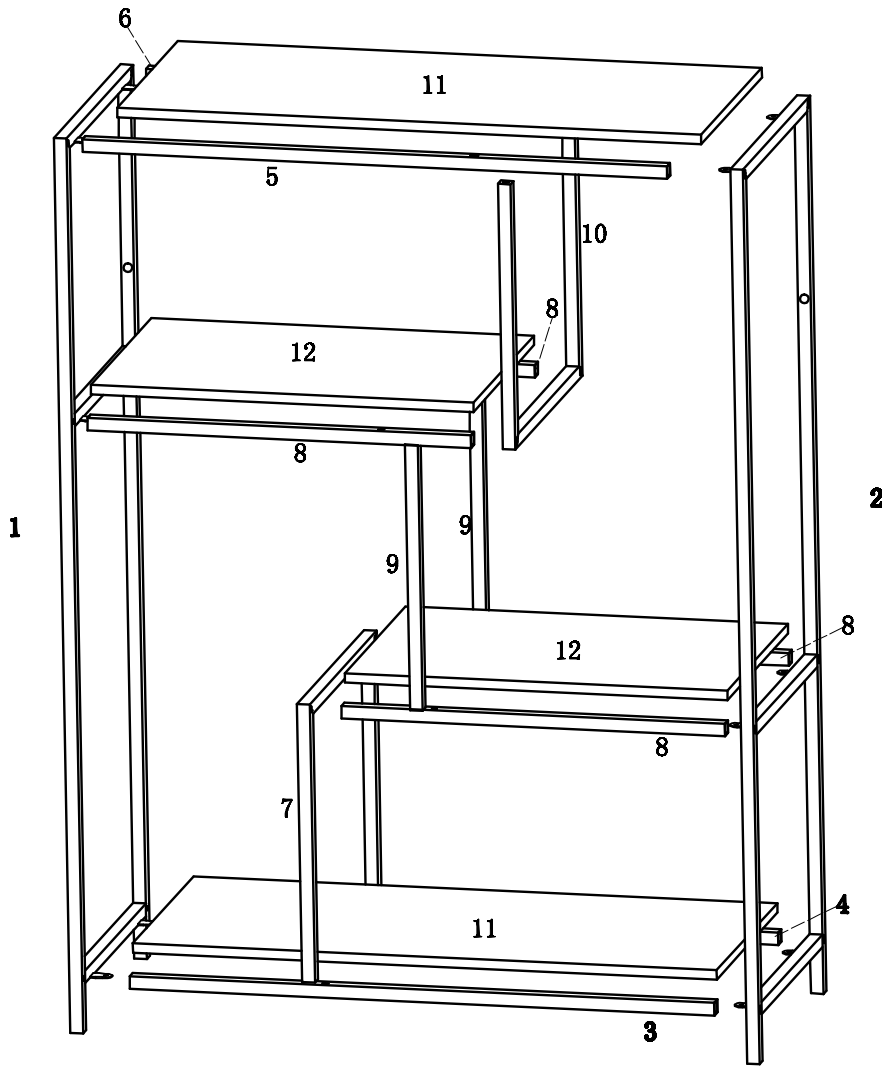
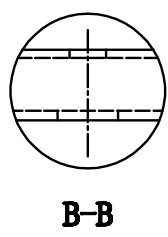
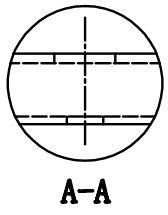
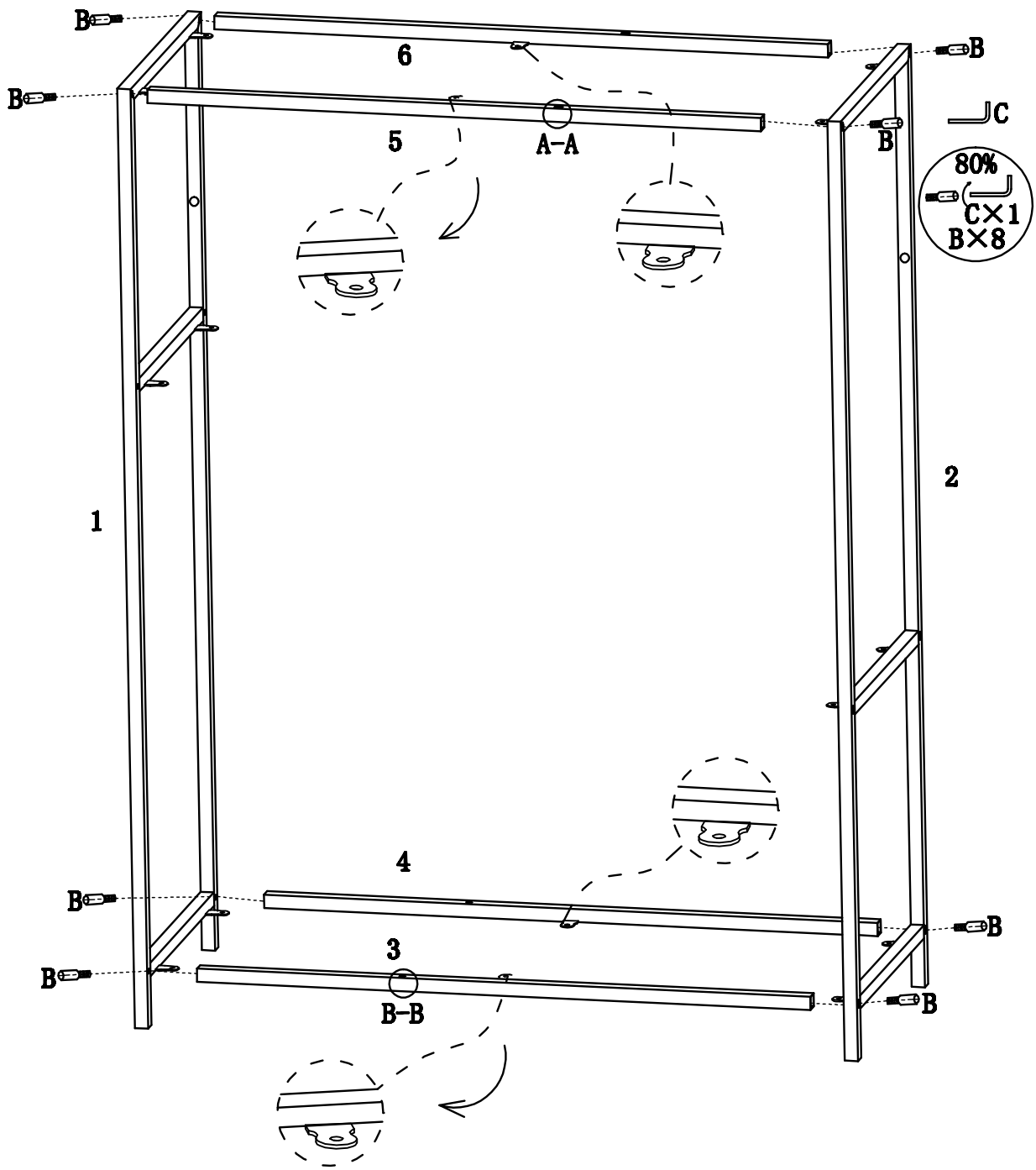


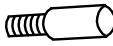

Seaford

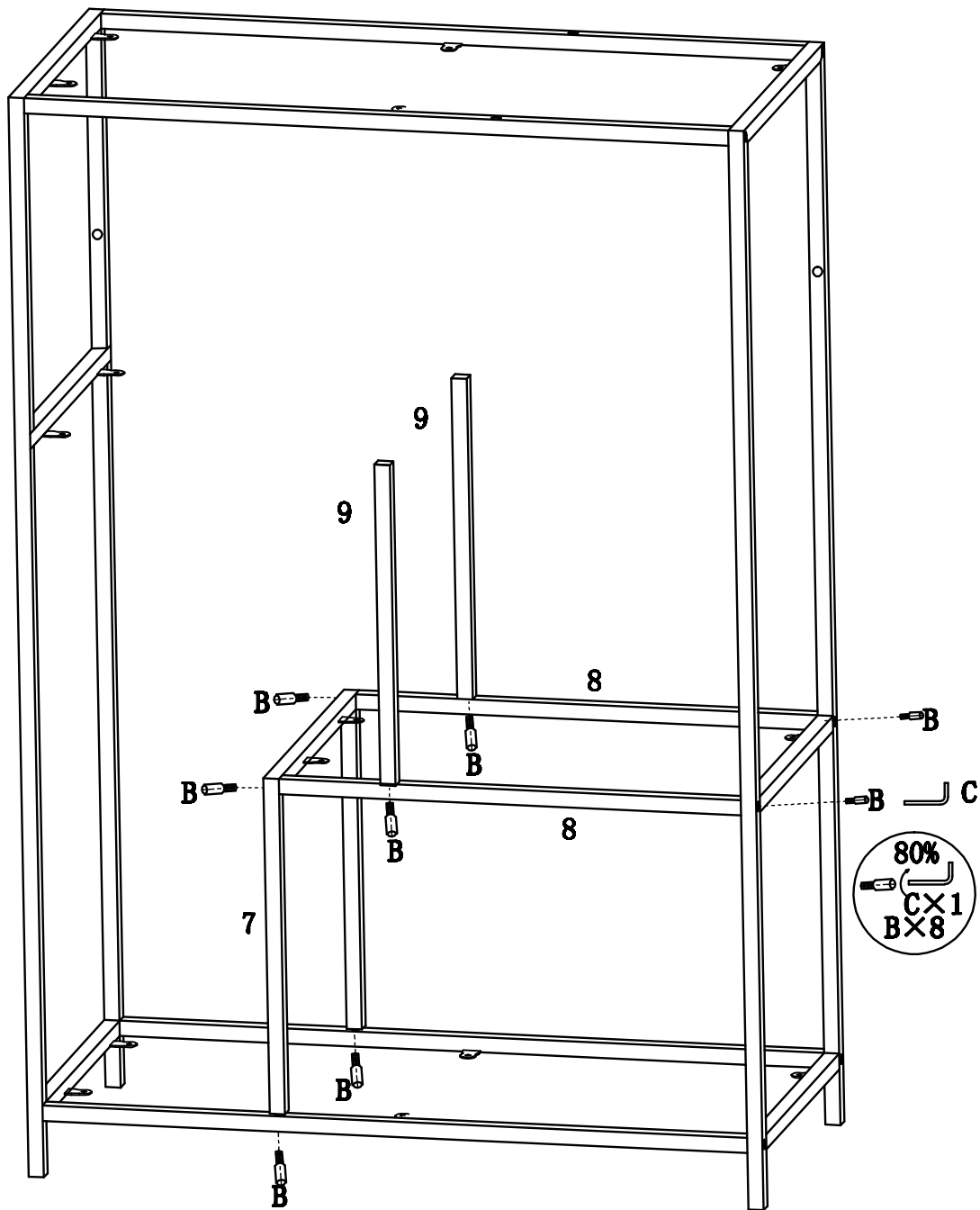


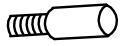




<p>1PC</p>	<p>1PC</p>	<p>1PC</p>	<p>1PC</p>	<p>1PC</p>
<p>1PC</p>	<p>1PC</p>	<p>4PCS</p>	<p>2PCS</p>	<p>1PC</p>
<p>2PCS</p>	<p>2PCS</p>	<p>A</p> <p>M4 × 10mm</p> <p>20PCS</p>	<p>B</p> <p>M6 × 15mm</p> <p>24PCS</p>	<p>C</p> <p>4mm</p> <p>1PC</p>

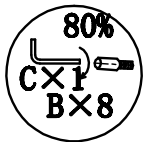
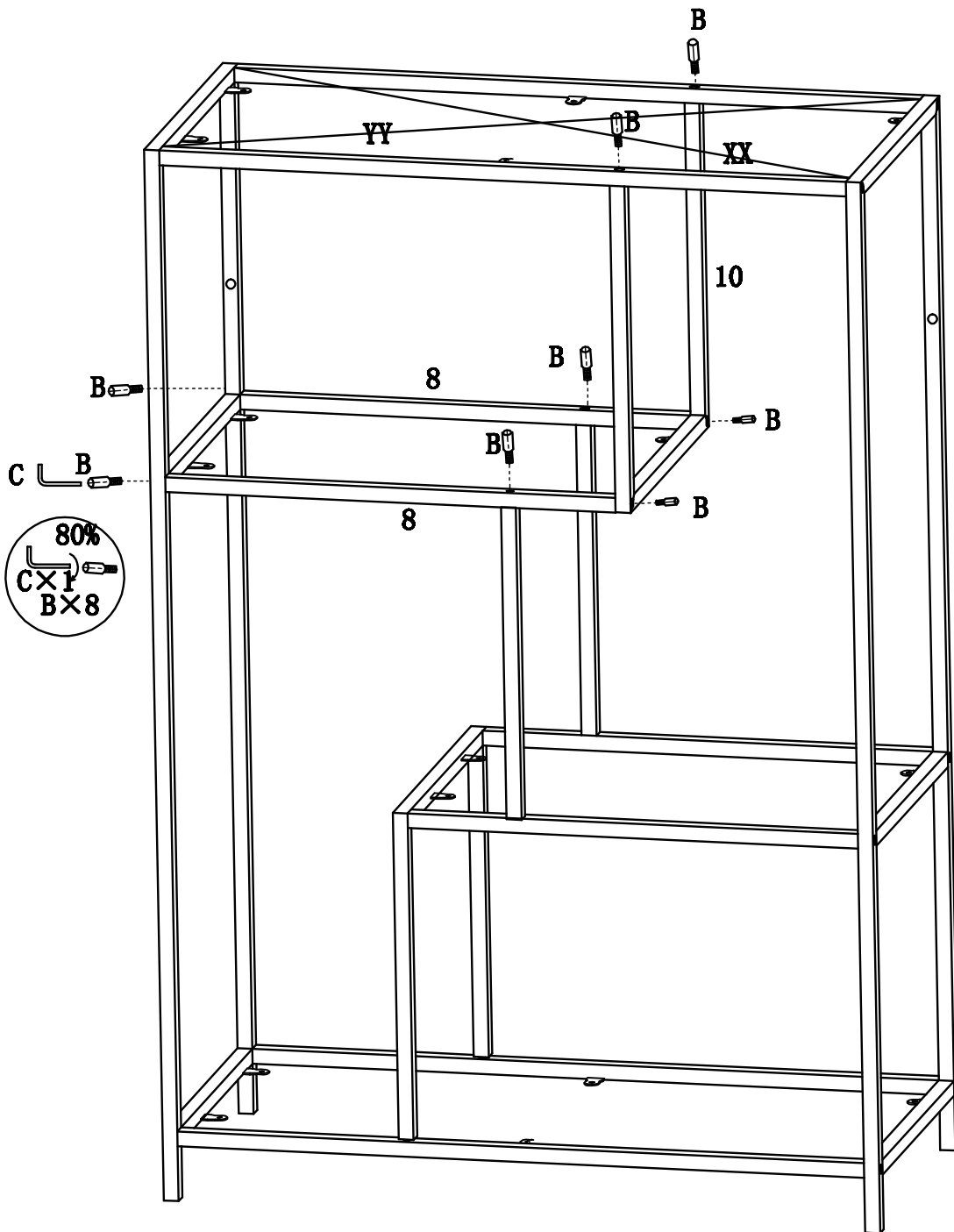



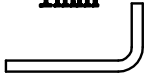
<p>B</p> <p>M6 × 15mm</p>  <p>8PCS</p>	<p>C</p> <p>4mm</p>  <p>1PC</p>
---	---

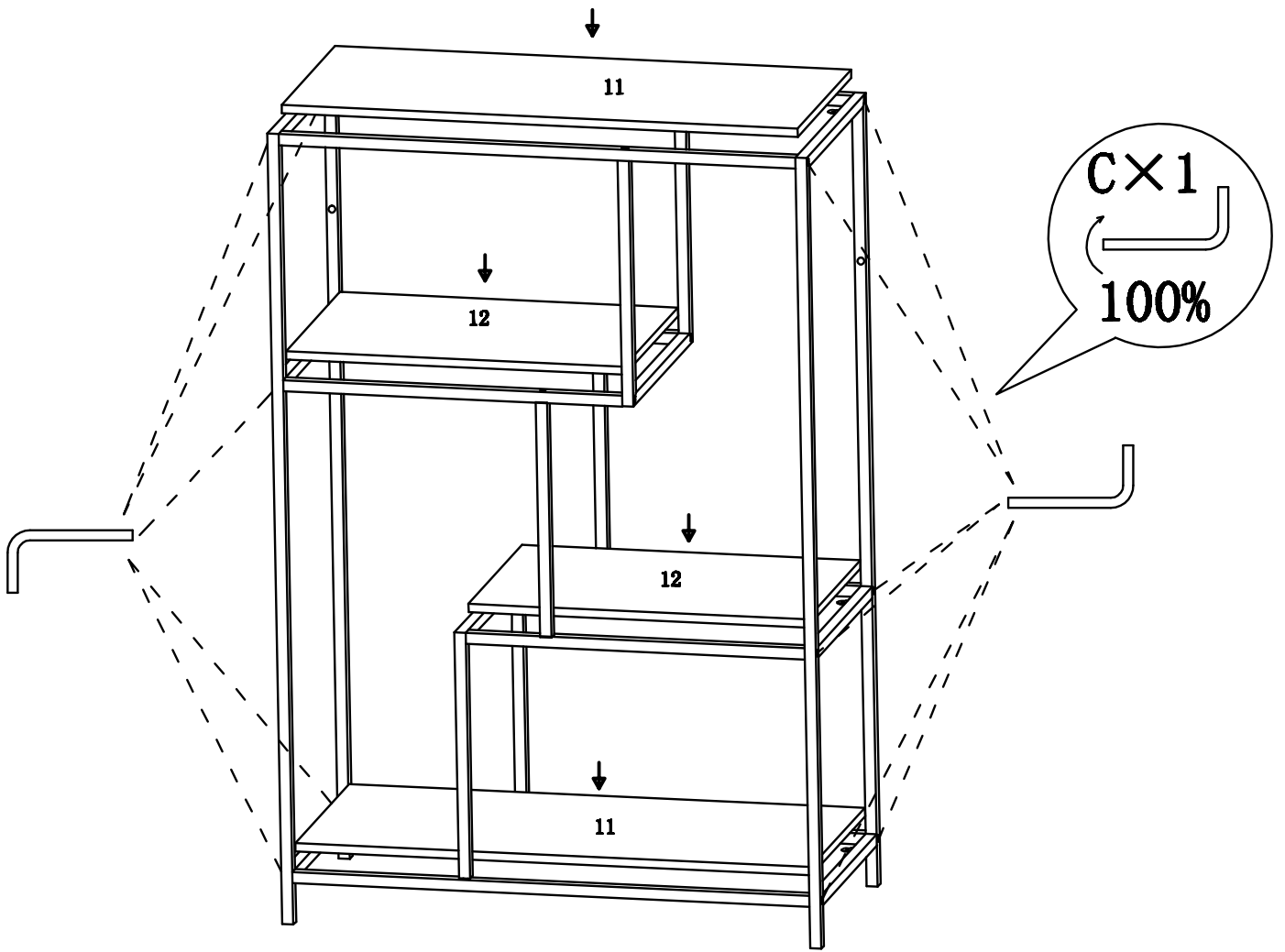


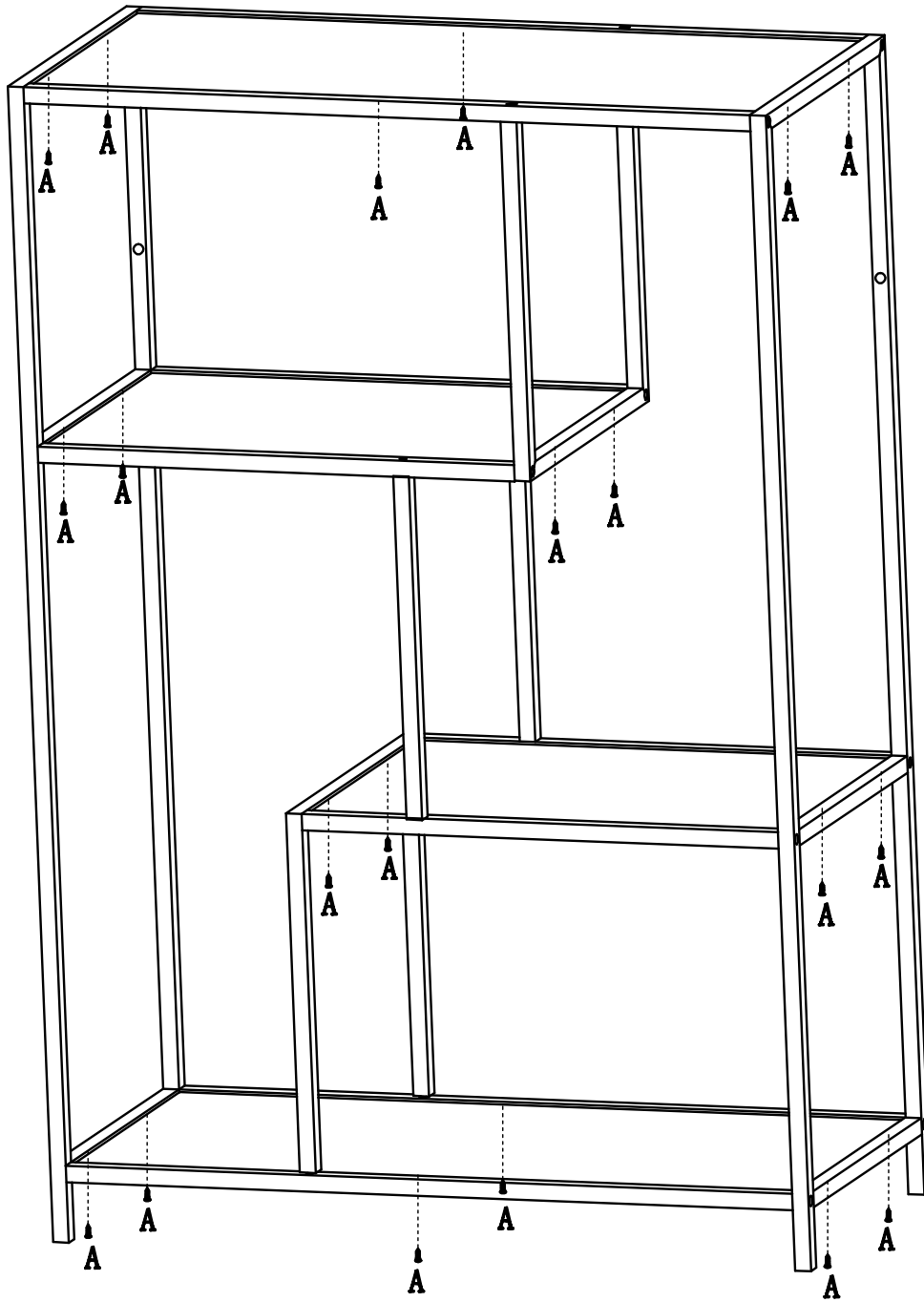
<p>B</p> <p>M6 × 15mm</p>  <p>8PCS</p>	<p>C</p> <p>4mm</p>  <p>1PC</p>
---	---


 XX=YY



B M6 × 15mm  8PCS	C 4mm  1PC
---	---





A
M4 × 10mm

20PCS

