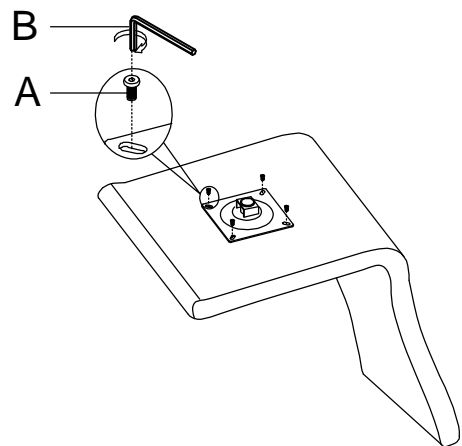
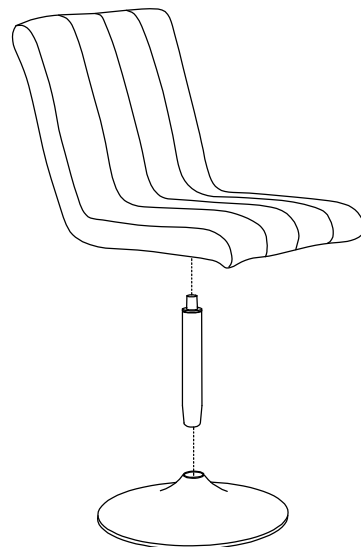


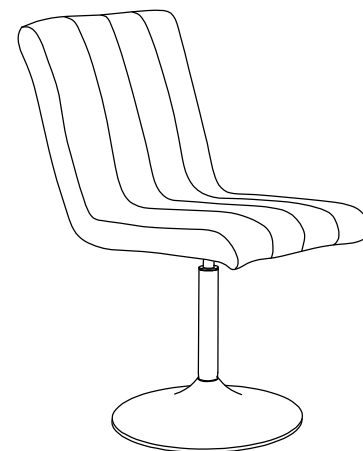
1



2



3



1712057-01-0 1712057-02-0

chair TERRENO

A

B



x4

x1