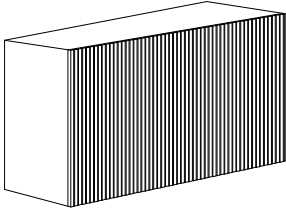
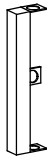
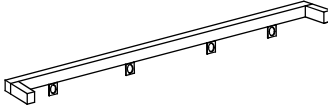


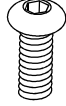
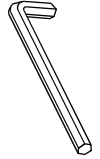


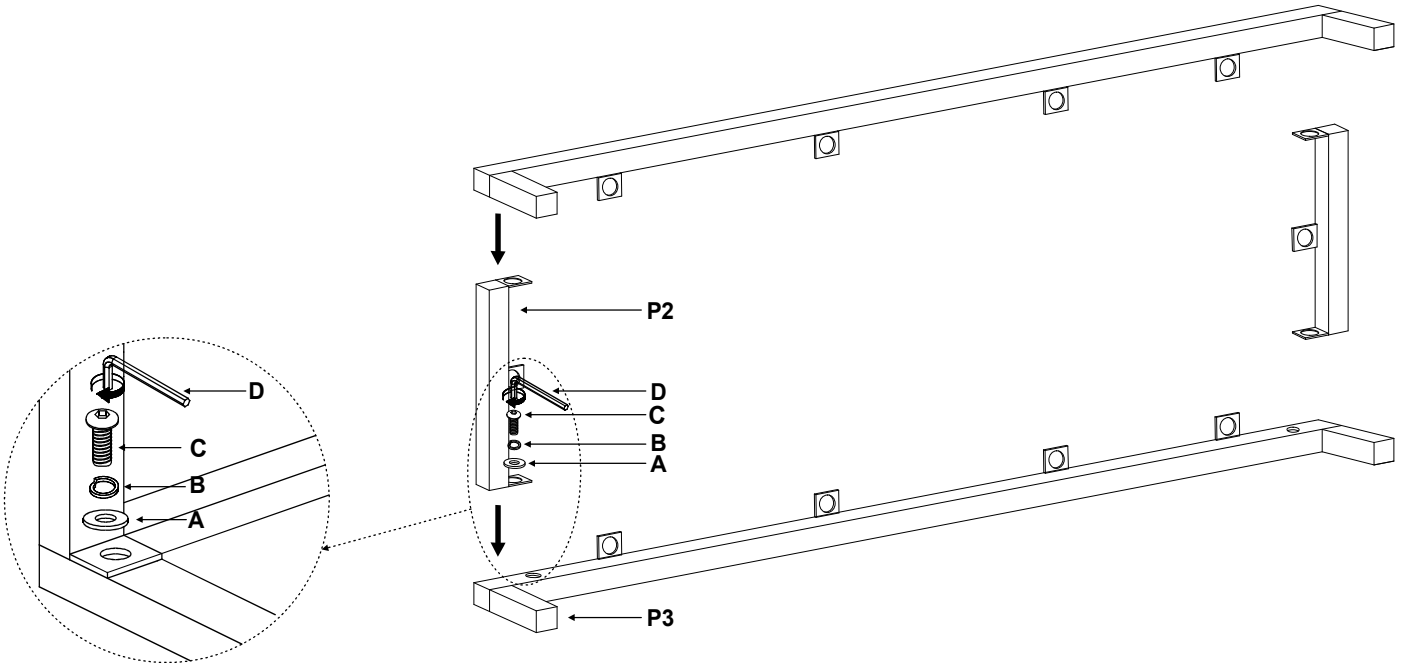
ASSEMBLY INSTRUCTIONS

ITEM NO. - 1720468-01-0

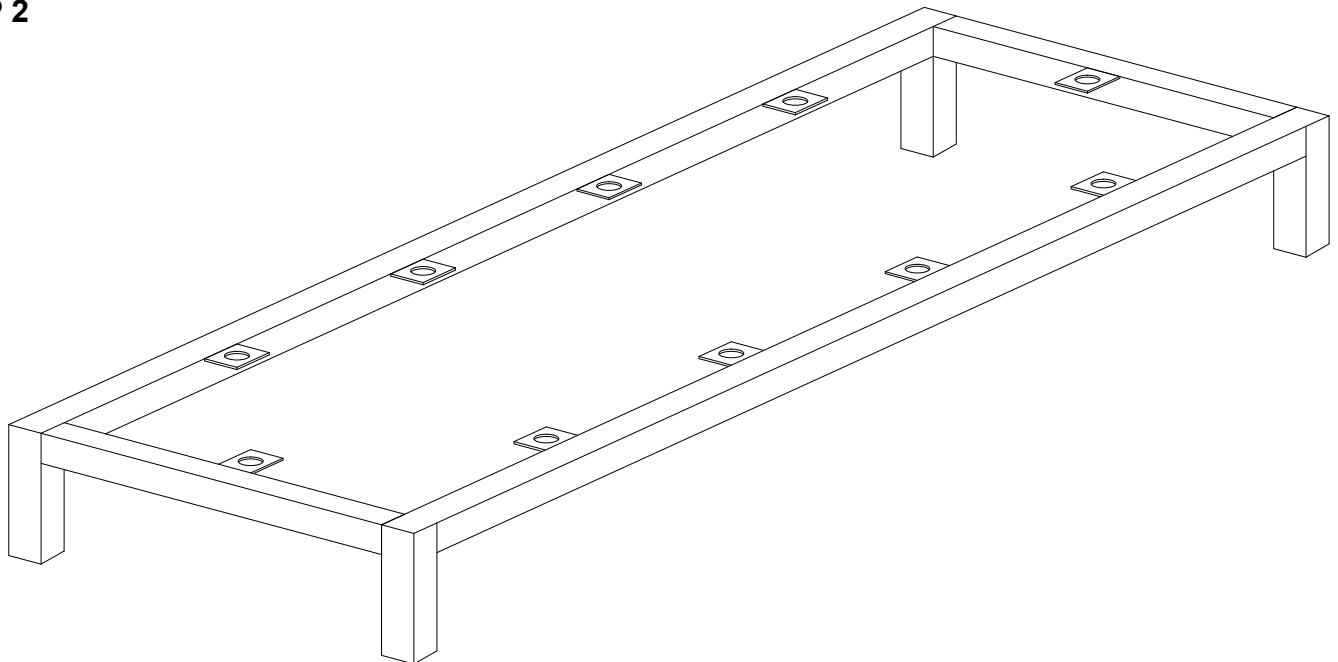
PARTS LIST

P1	x1	P2	x2	P3	x2	A	x14	B	x14	C	x14	D	x1
													
						M6xO.D.20x1.5		M6xO.D.10x2		M6x15			#4

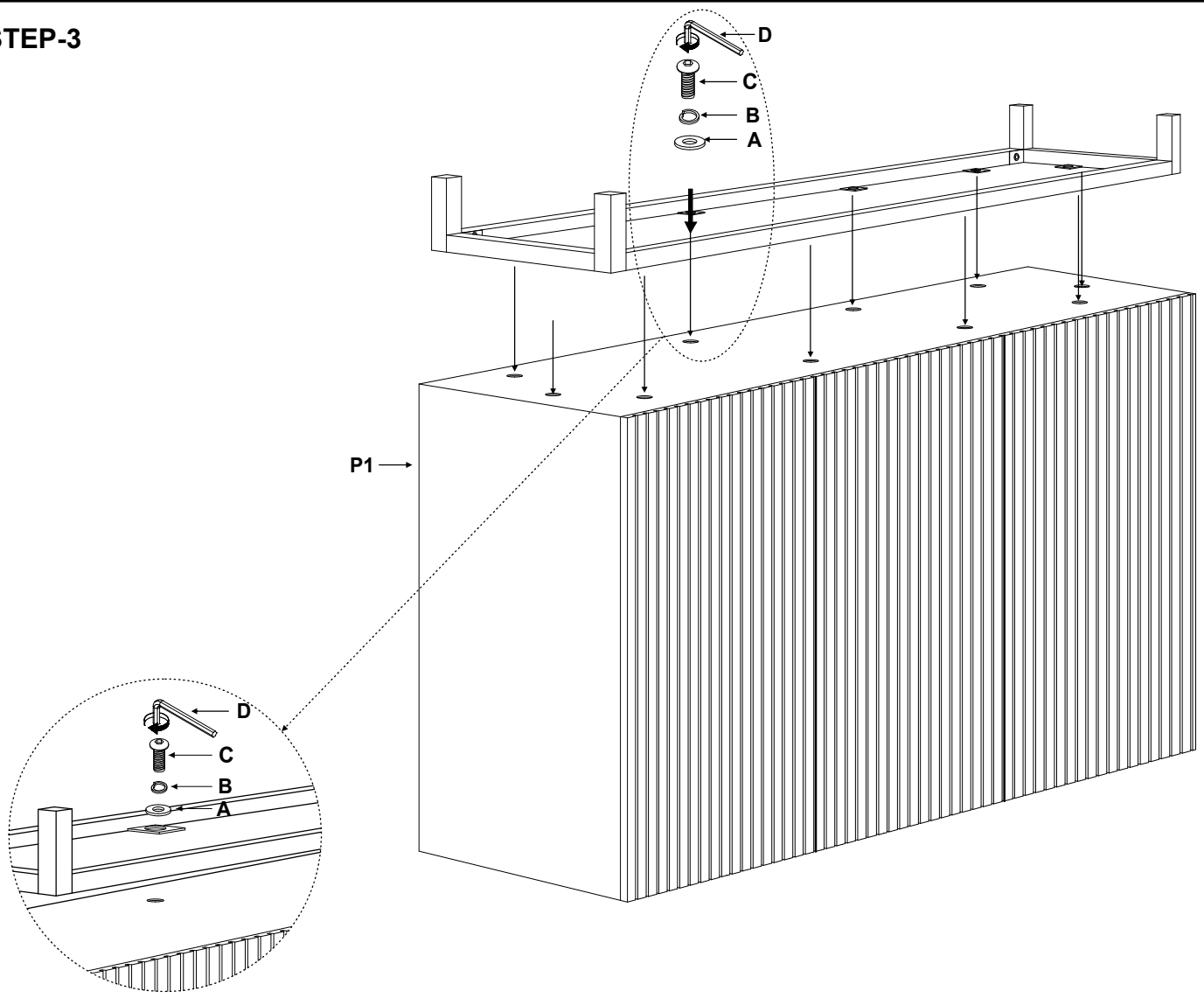
STEP-1



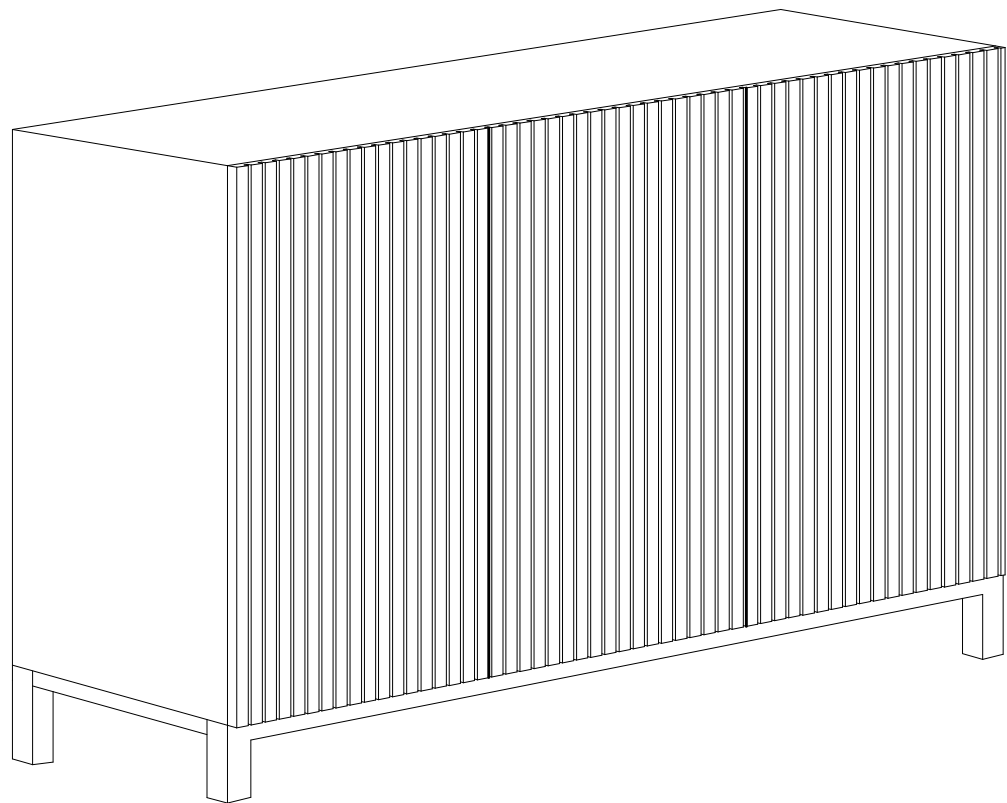
STEP 2



STEP-3



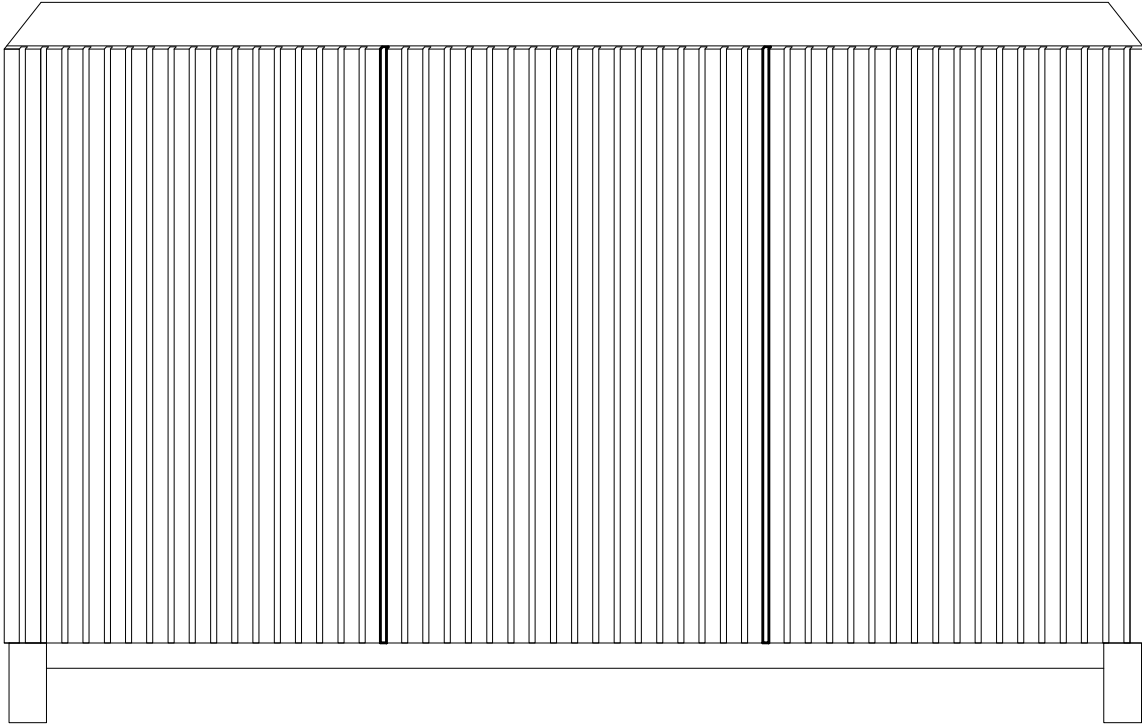
READY TO USE



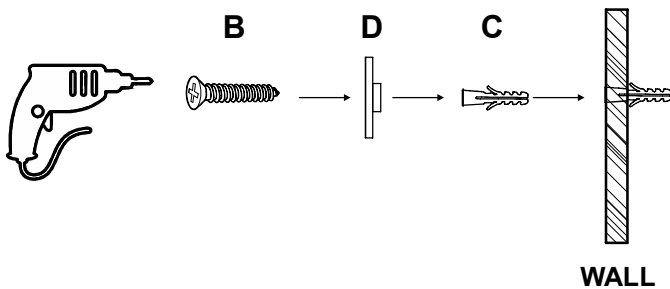
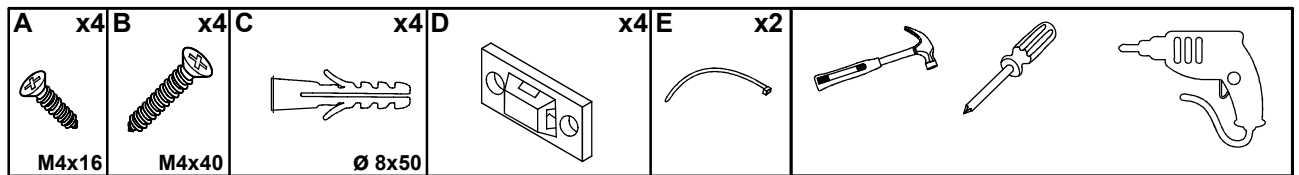
ANTI TIP ASSEMBLY INSTRUCTIONS

ITEM NO. - 1720468-01-0

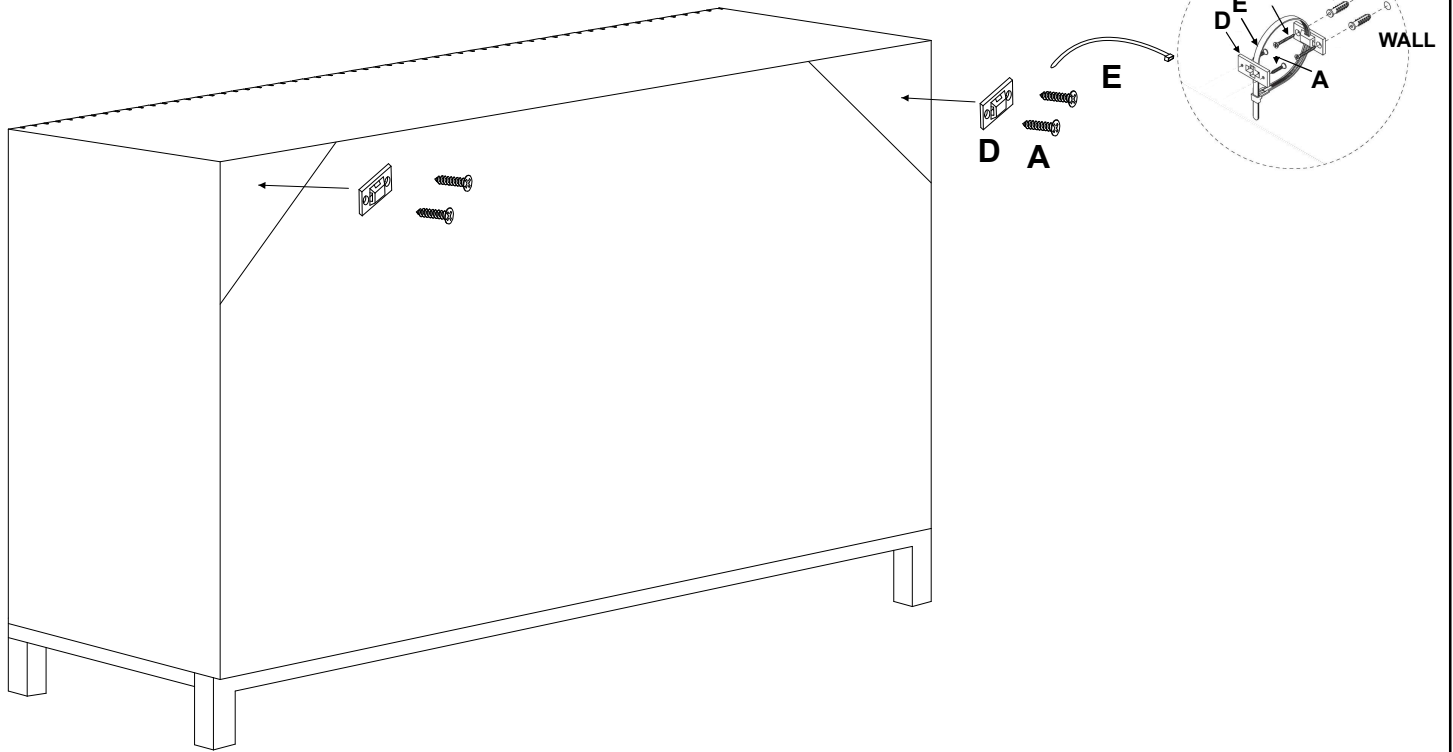
1.



2.



3.



4.

