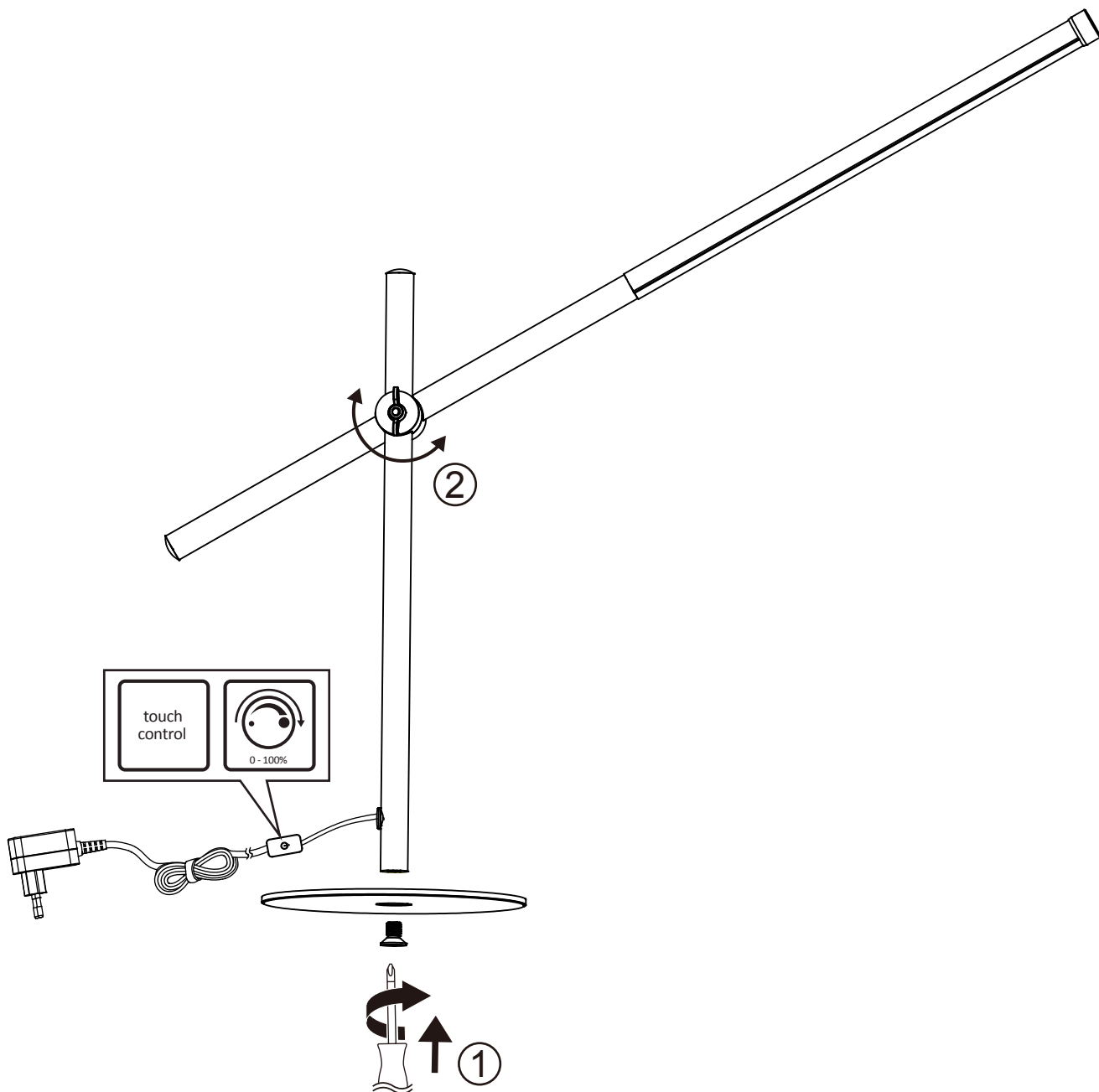


# ATOM



Ref-No.:1721761-01-0

230V~, 50Hz.

LED 6,5W



Ellos AB, Box 961  
501 10 Borås, Sweden