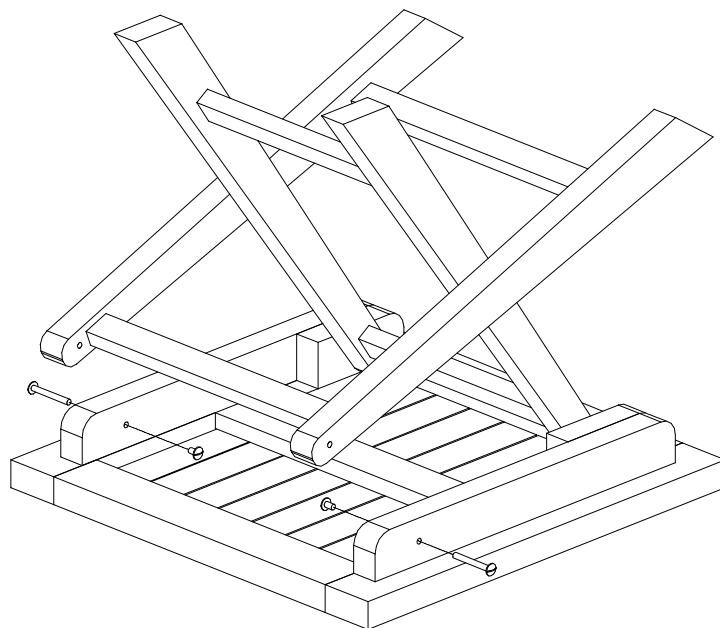


ASSEMBLY INSTRUCTION

MINI SQUARE FOLDING TABLE



Step 1



Step 2

HARDWARE

PART	QTY	SIZE	PICTURE
A	2	8 mm x 5,5 cm	