



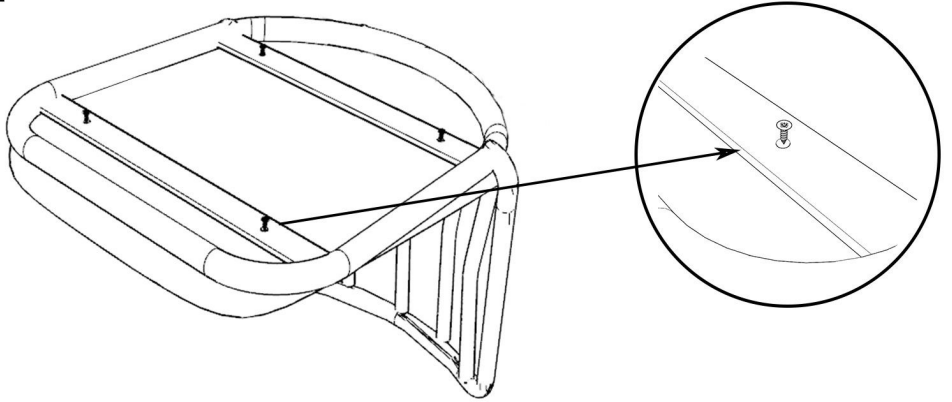


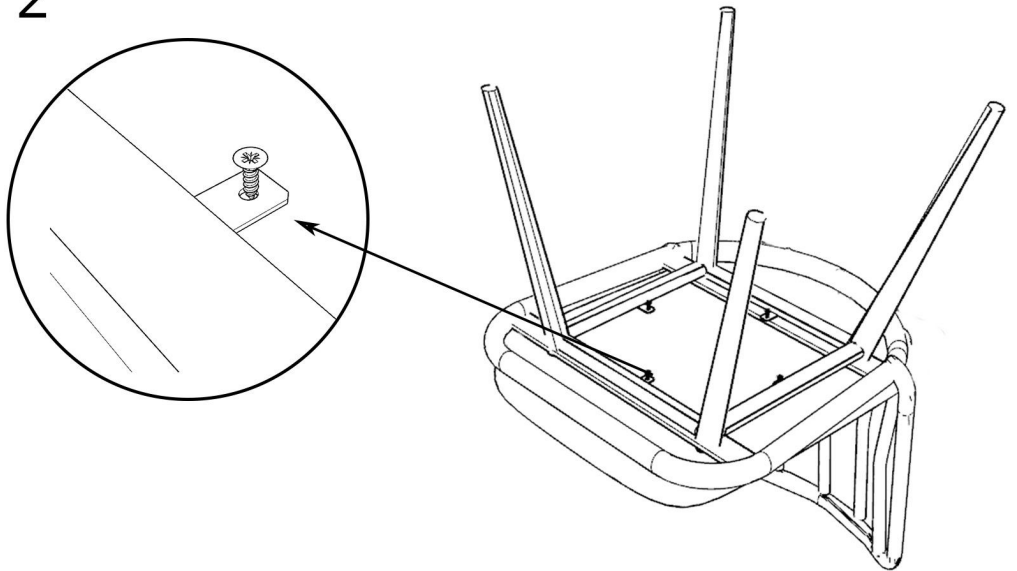
### Parts List

P. No	Part Name	Piece	Picture
1	Body	1	
2	Seat	1	
3	Leg	1	
4	Screw (4mmx25mm)	8	

1



2



3

