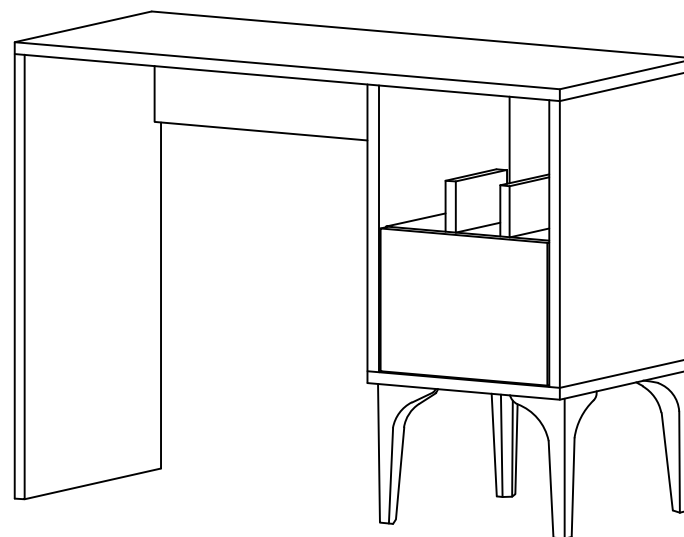
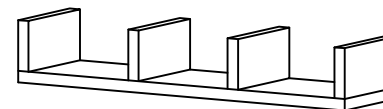
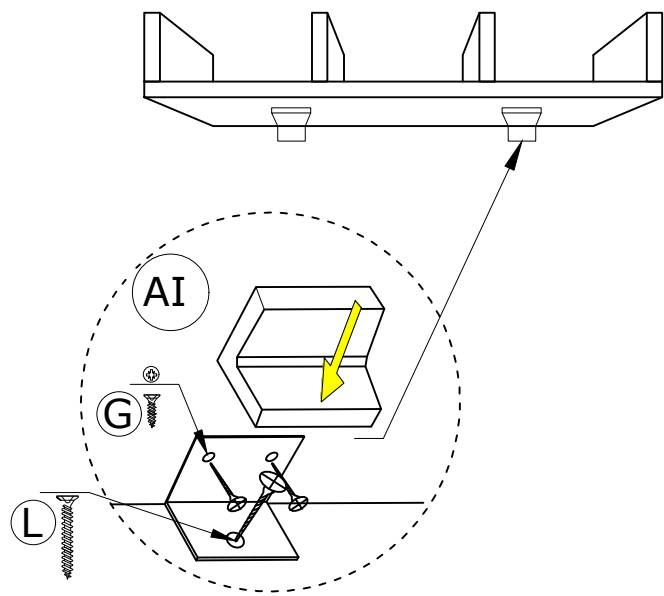
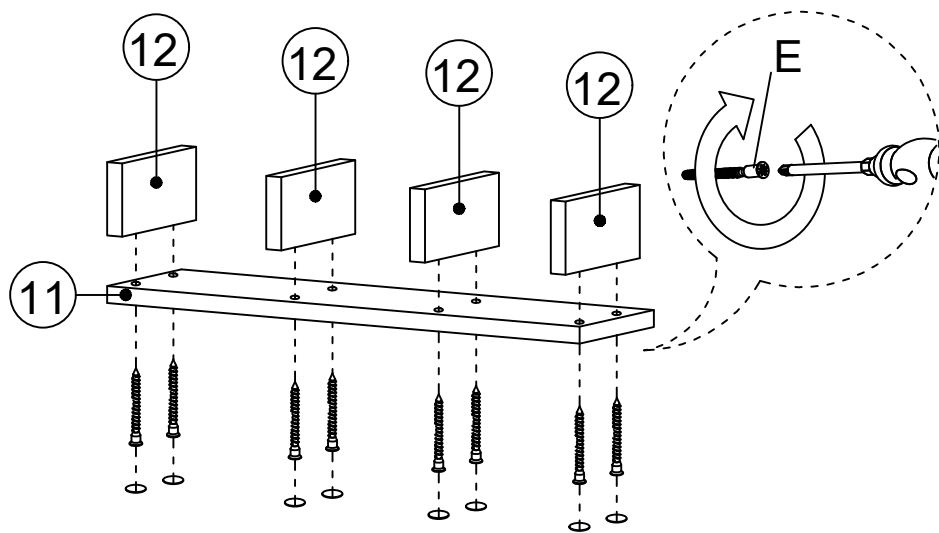
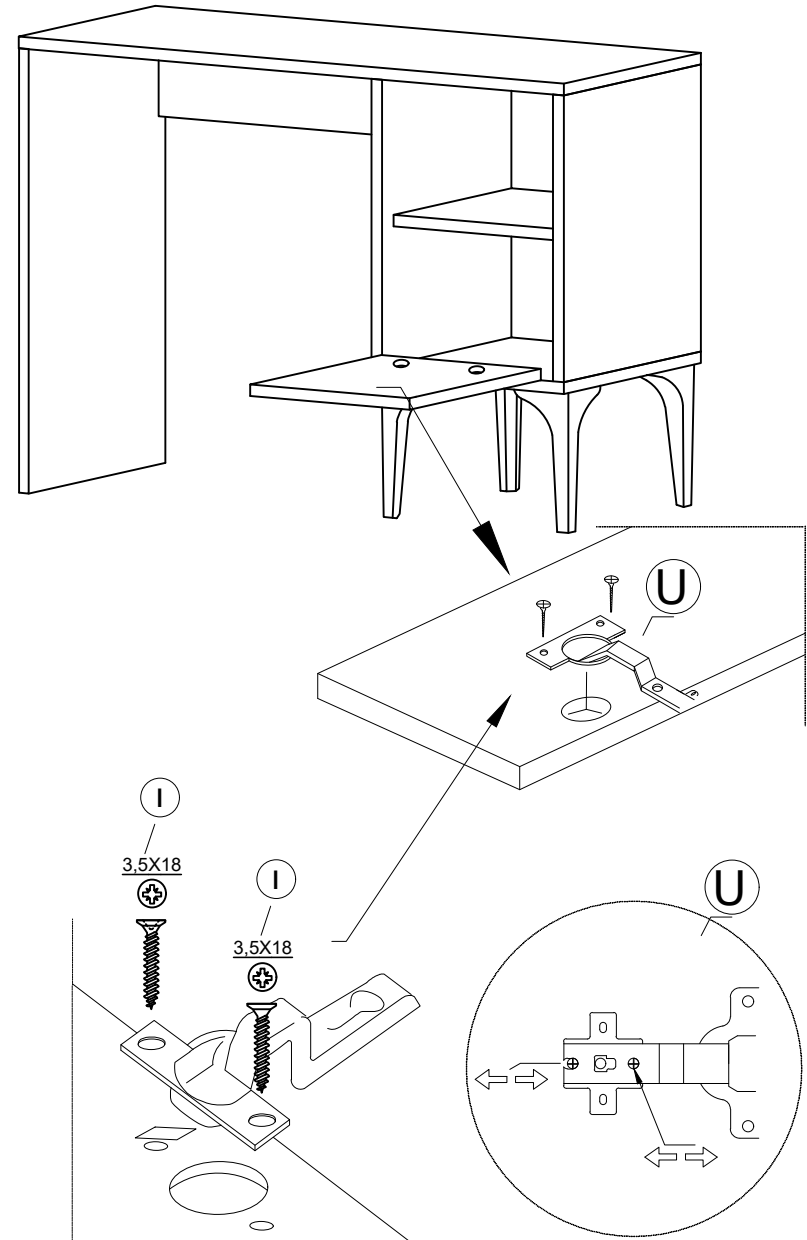
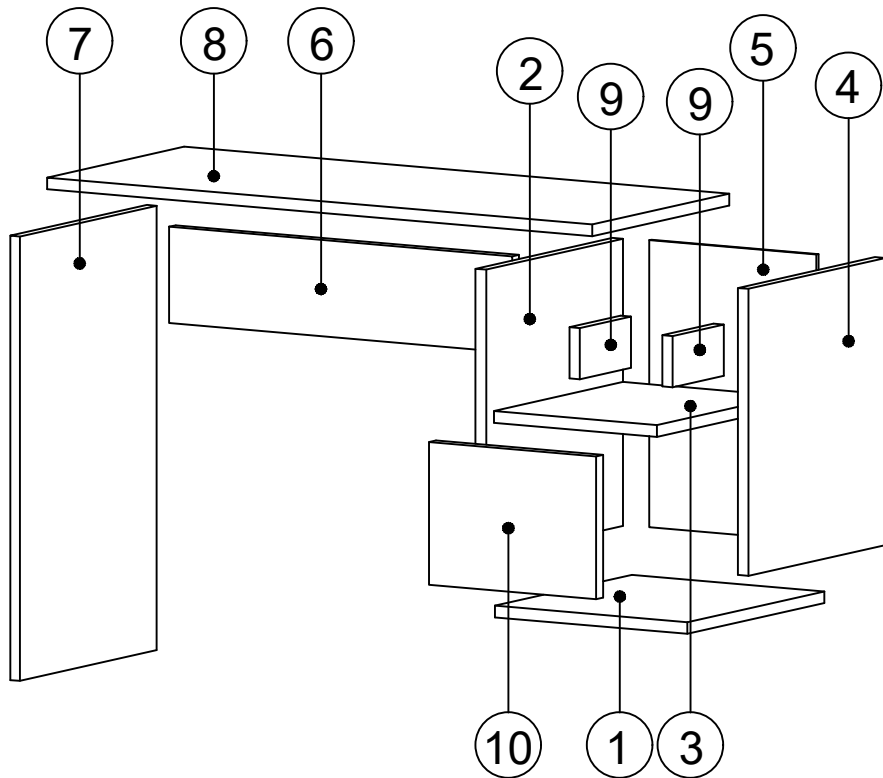
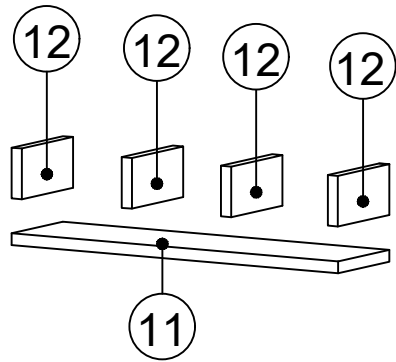


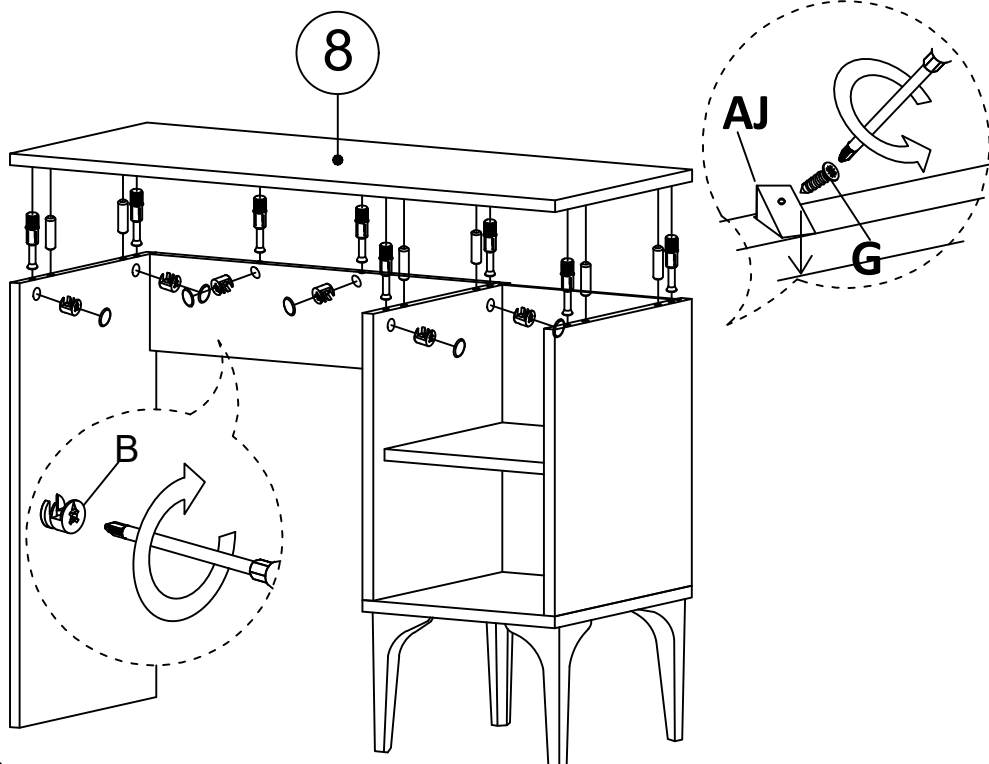
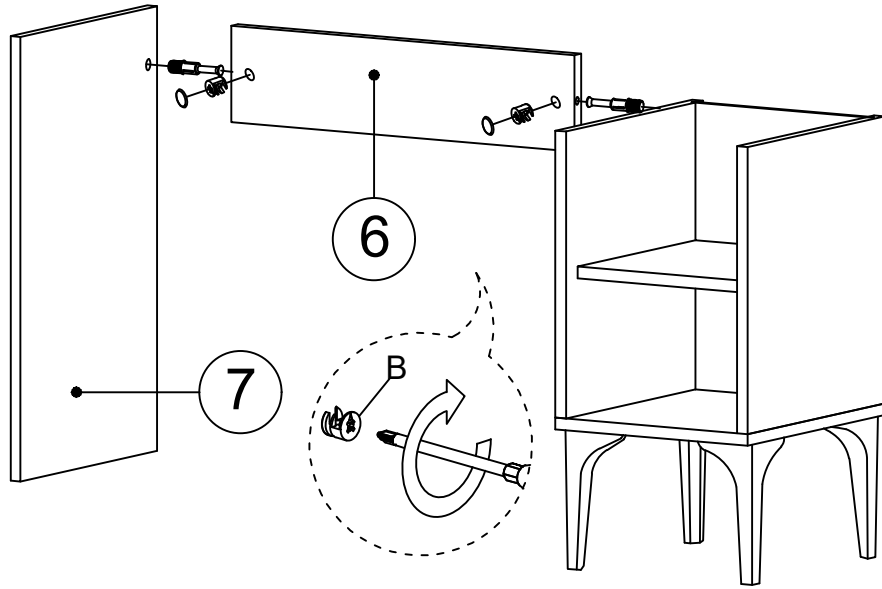
# DEC0078 RiSH



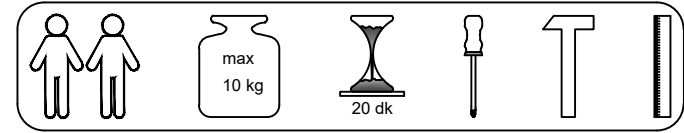
DECORMET

# DEC0078 RISH





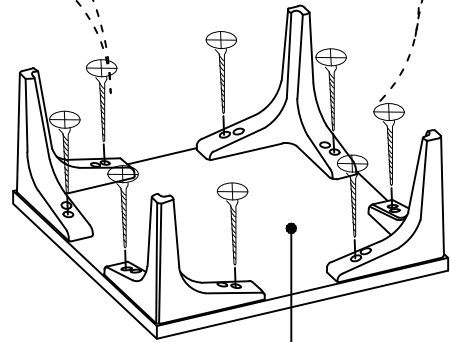
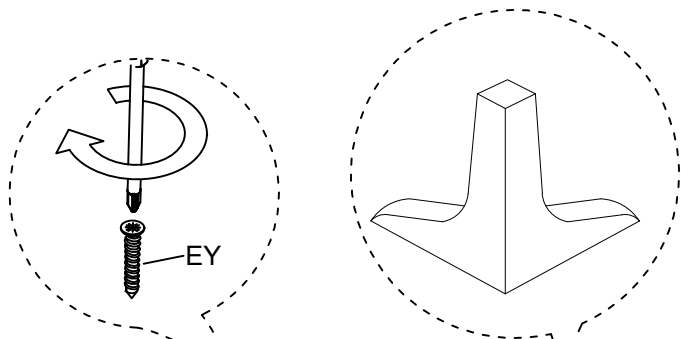
## MATERIALS



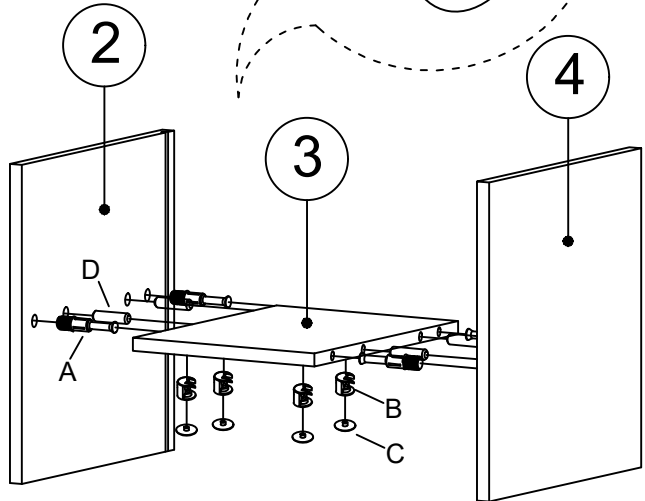
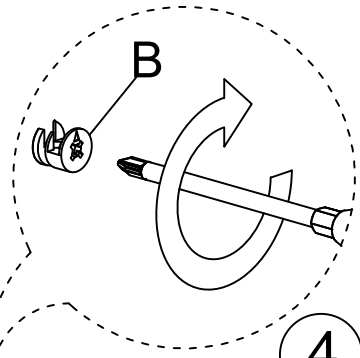
x18	x18	x18	x18	x4	X 2	X 16
<b>B</b>	<b>A</b>	<b>C</b>	<b>D</b>	<b>AJ</b>	<b>U</b>	<b>G</b>
MINIFIX BODY	MINIFIX GIB	MIN.STOPPER	DOWEL	PLASTIC JOINING	HINGE(Crank 16)	3,5 x 18 SCREW
X 8	X 8	X 12	x4	X 2	X 2	X 2
<b>E</b>	<b>F</b>	<b>EV</b>	<b>BN</b>	<b>L</b>	<b>AK</b>	<b>AI</b>
CABINET SCREW	PLUG	4x35 SCREW	250 mm PVC LEG	5x80 SCREW	WALL PLUG	L IRON MITER (COVERED)

## DEC0078 RİSH

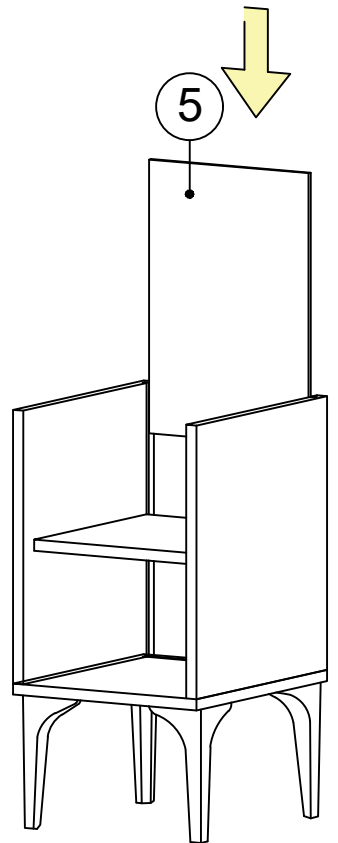
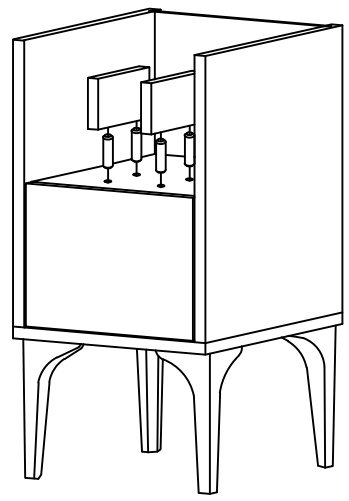
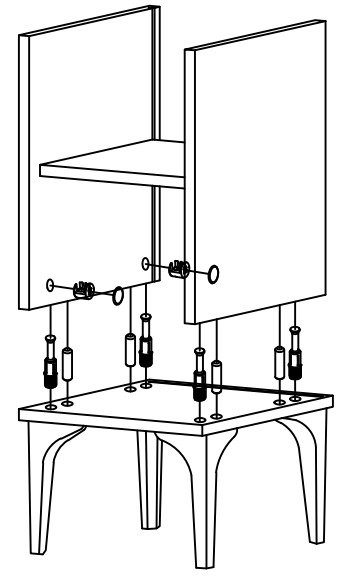
NO	NAME	PIECE	NO	İSİM	MİKTAR
1	BOTTOM PART	1 PC	1	ALT TABLA	1 Adet
2	LEFT SIDE PART	1 PC	2	SOL DİKME	1 Adet
3	SHELF	1 PC	3	RAF	1 Adet
4	RIGHT SIDE PART	1 PC	4	SAĞ DİKME	1 Adet
5	BACK PART	1 PC	5	ARKALIK	1 Adet
6	BACK PANEL	1 PC	6	ARKA PANO	1 Adet
7	TABLE LEG	1 PC	7	MASA AYAK	1 Adet
8	TABLE TOP PART	1 PC	8	MASA TABLA	1 Adet
9	MIDDLE PART	2 PCS	9	DİKME	2 Adet
10	COVER PART	1 PC	10	KAPAK	1 Adet
11	SHELF MIDDLE PART	4 PCS	11	RAF DİKME	4 Adet
12	SHELF	1 PC	12	RAF	1 Adet



1



4



5