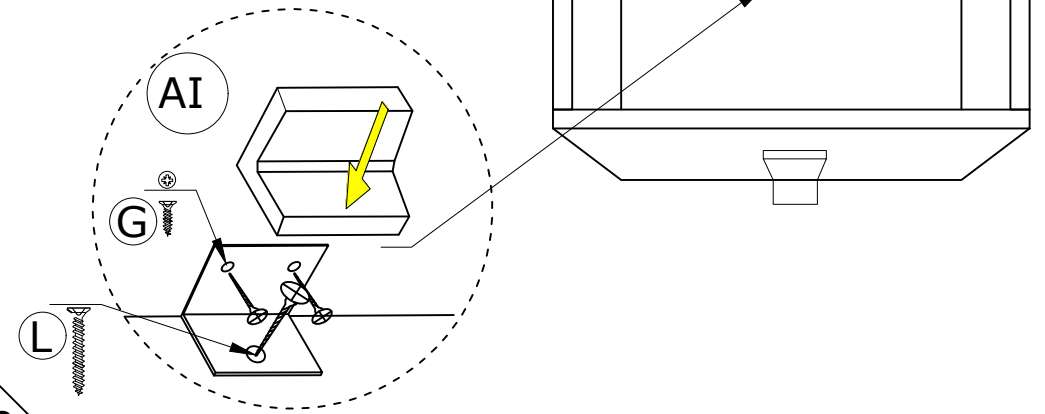
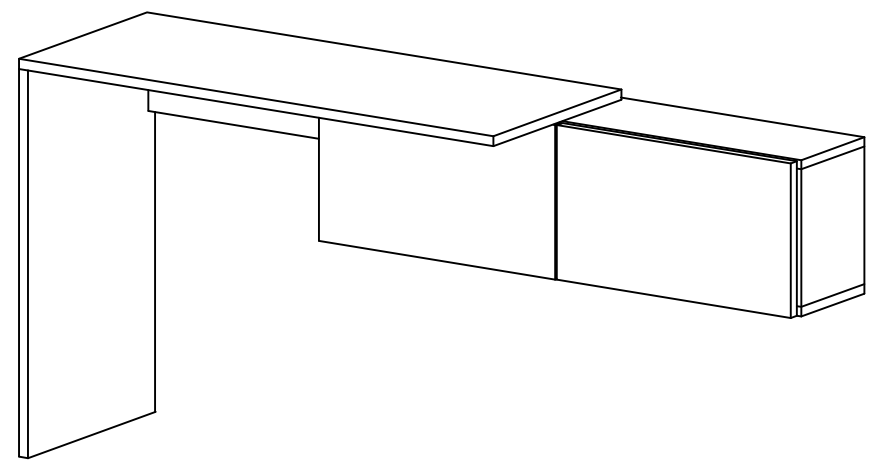
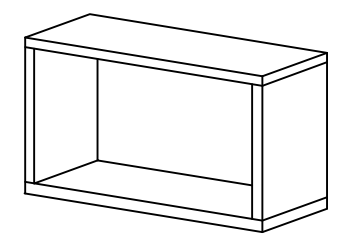


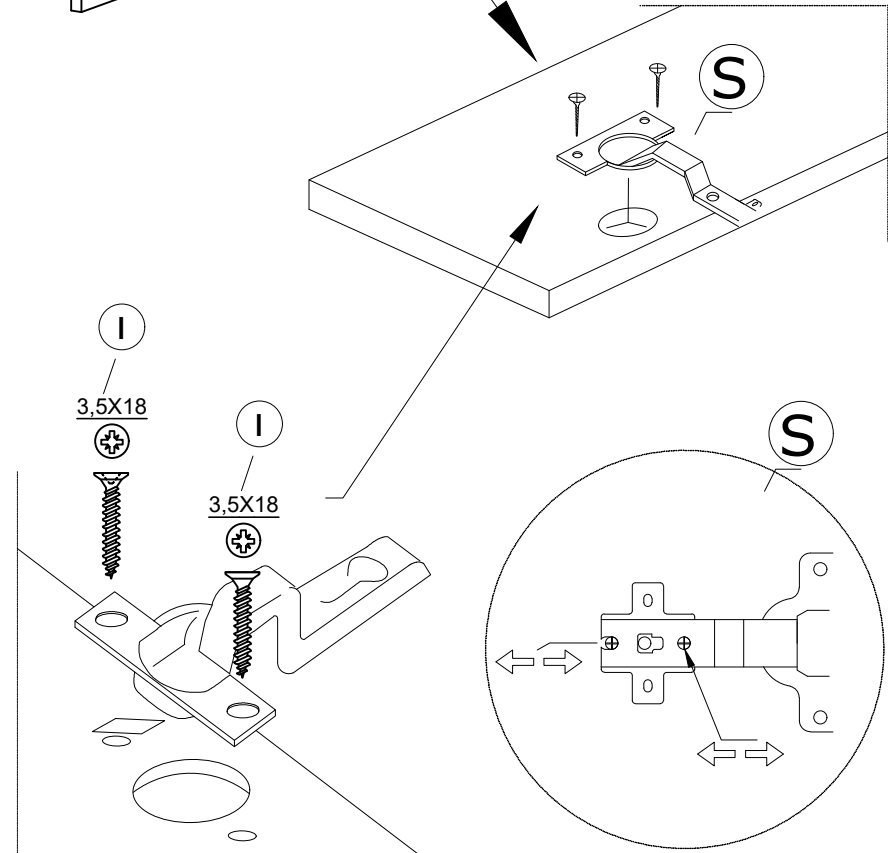
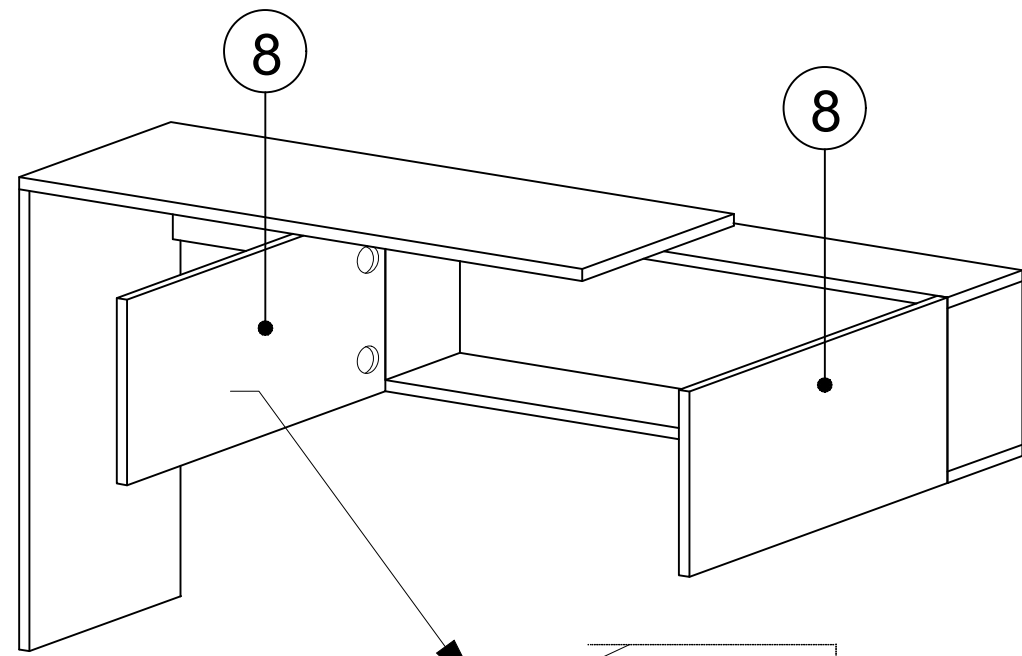
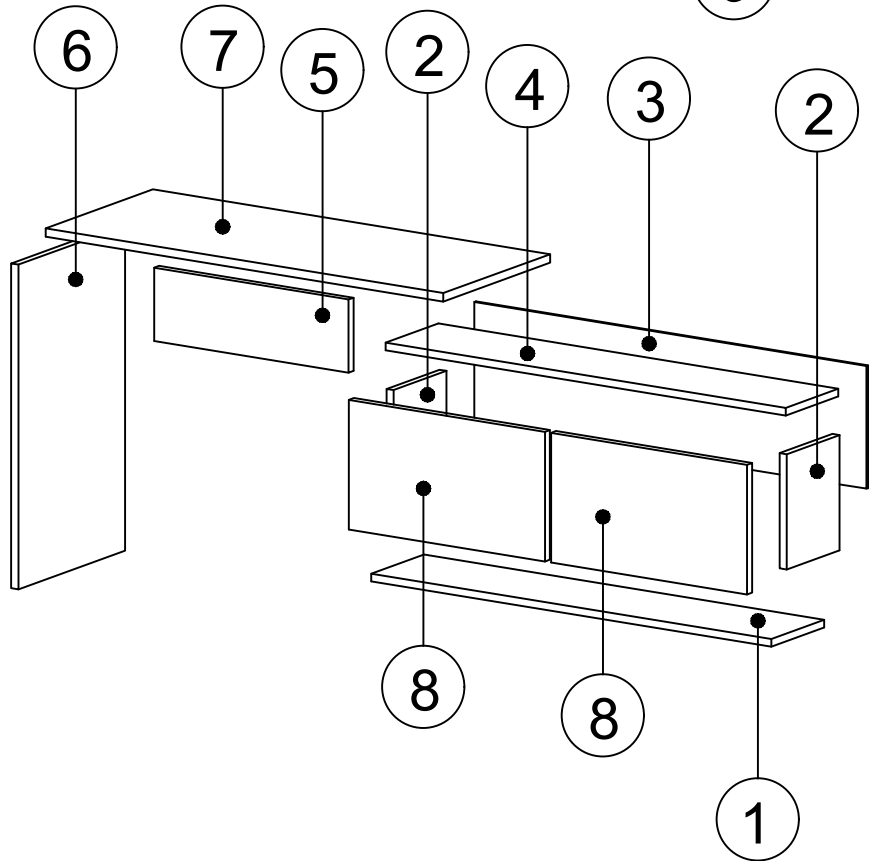
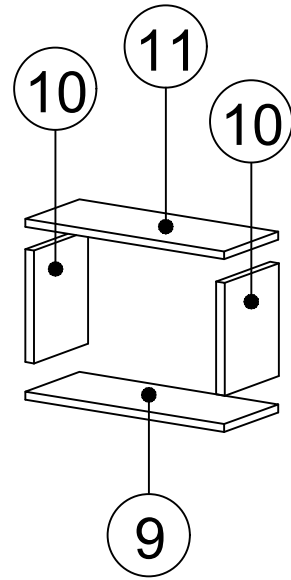
B

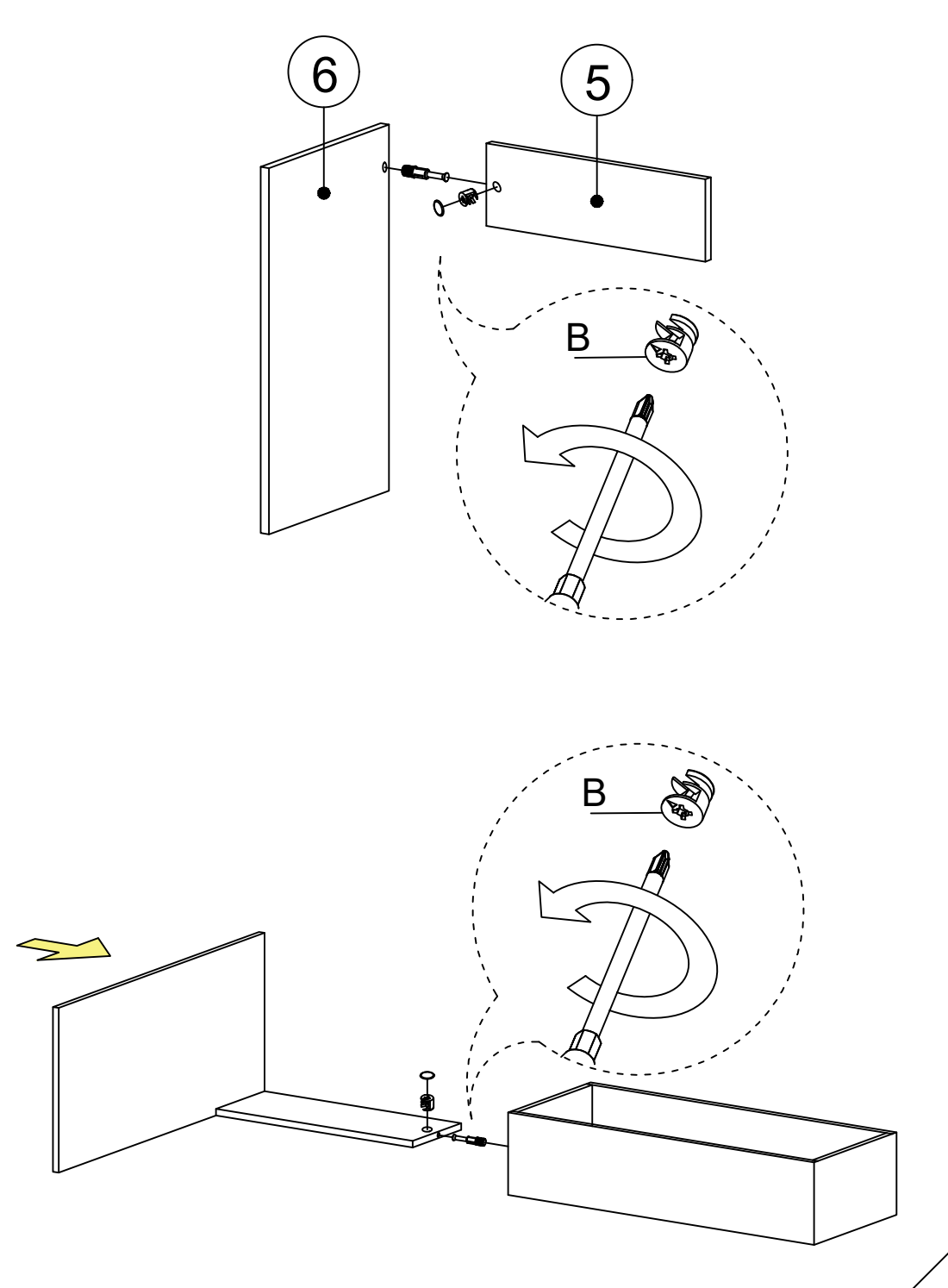
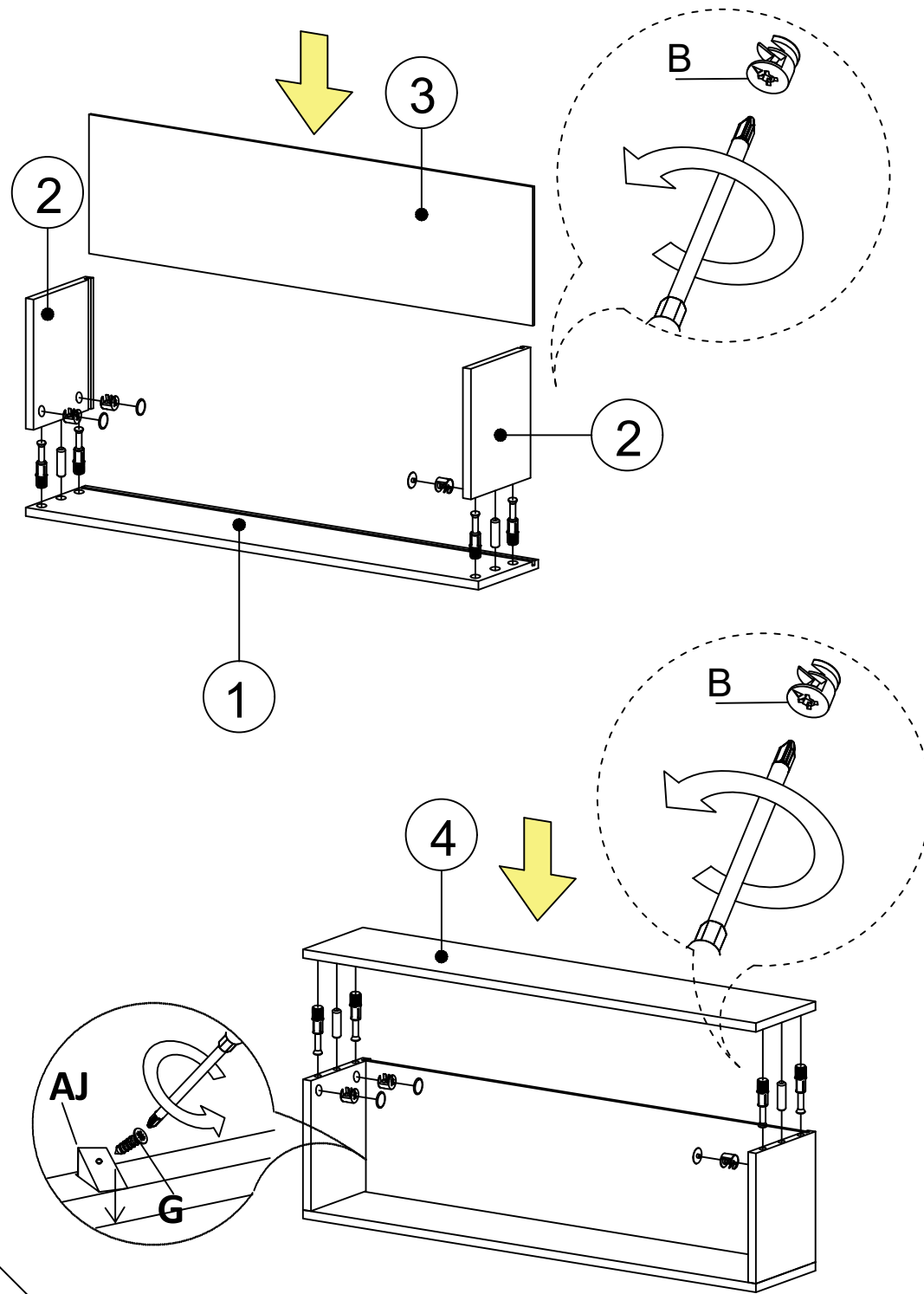


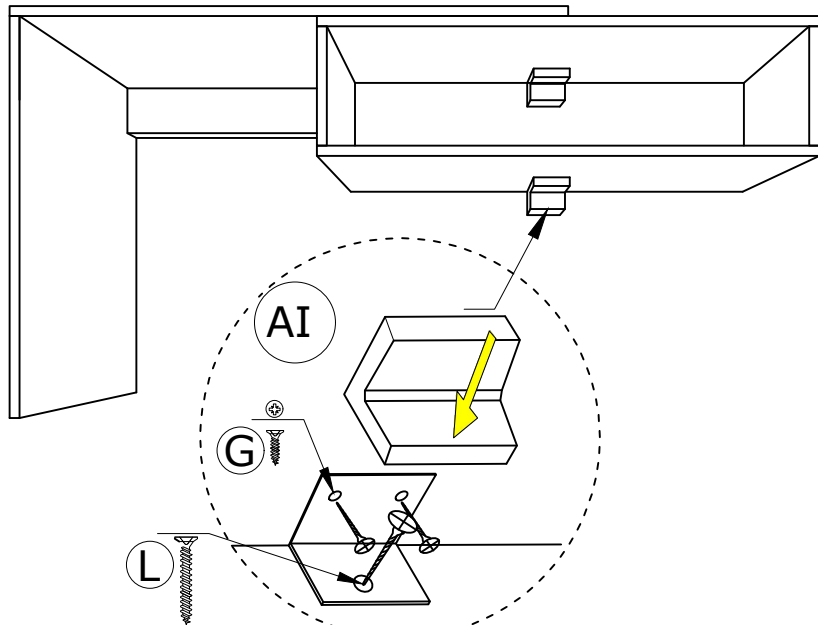
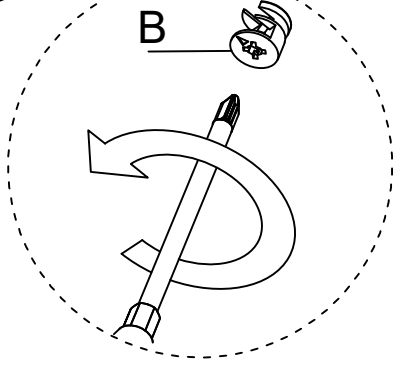
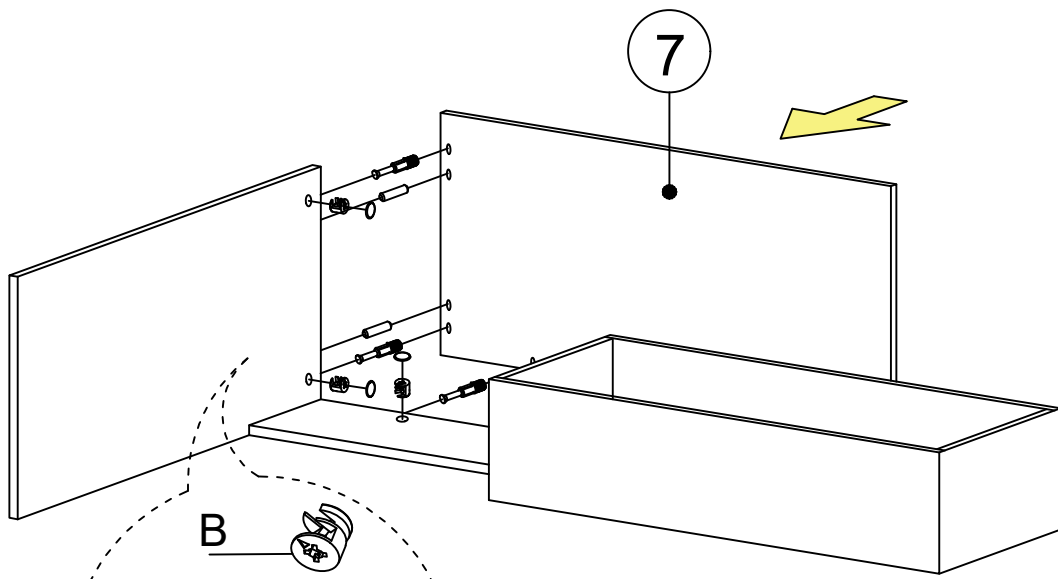
TIFF



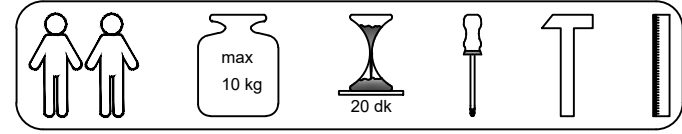
DECORMET



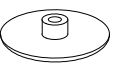

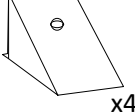


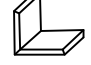
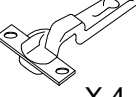
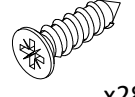






MATERIALS



				
A	B	C	D	AJ
21 PCS	21 PCS	21 PCS	10 PCS	PLASTIC JOINING
				
L	AK	AI	S	G
5x80 SCREW	WALL PLUG	L IRON MITER (COVERED)	HINGE (CRANK 0)	3,5x18 SCREW

DEC0079 TİFF

NO	NAME	PIECE	NO	İSİM	MİKTAR
1	BOTTOM PART	1 PC	1	ALT TABLA	1 Adet
2	RIGHT / LEFT PARTS	2 PCS	2	DOLAP SAĞ SOL YAN	2 Adet
3	BACK PART	1 PC	3	ARKALIK	1 Adet
4	TOP PART	1 PC	4	DOLAP ÜST TABLA	1 Adet
5	TABLE - BACK PART	1 PC	5	MASA ARKA PANEL	1 Adet
6	TABLE - LEG	1 PC	6	MASA AYAK	1 Adet
7	TABLE - TOP PART	1 PC	7	MASA ÜS TABLA	1 Adet
8	COVER PART	2 PCS	8	KAPAK	2 Adet
9	SHELF - BOTTOM PART	1 PC	9	RAF ALT TABLA	1 Adet
10	SHELF -LEFT/RIGHT PARTS	2 PCS	10	RAF SAĞ SOL YAN	2 Adet
11	SHELF - TOP PART	1 PC	11	RAF ÜST TABLA	1 Adet