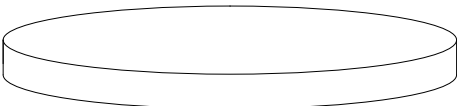
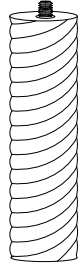
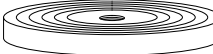
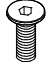

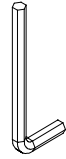
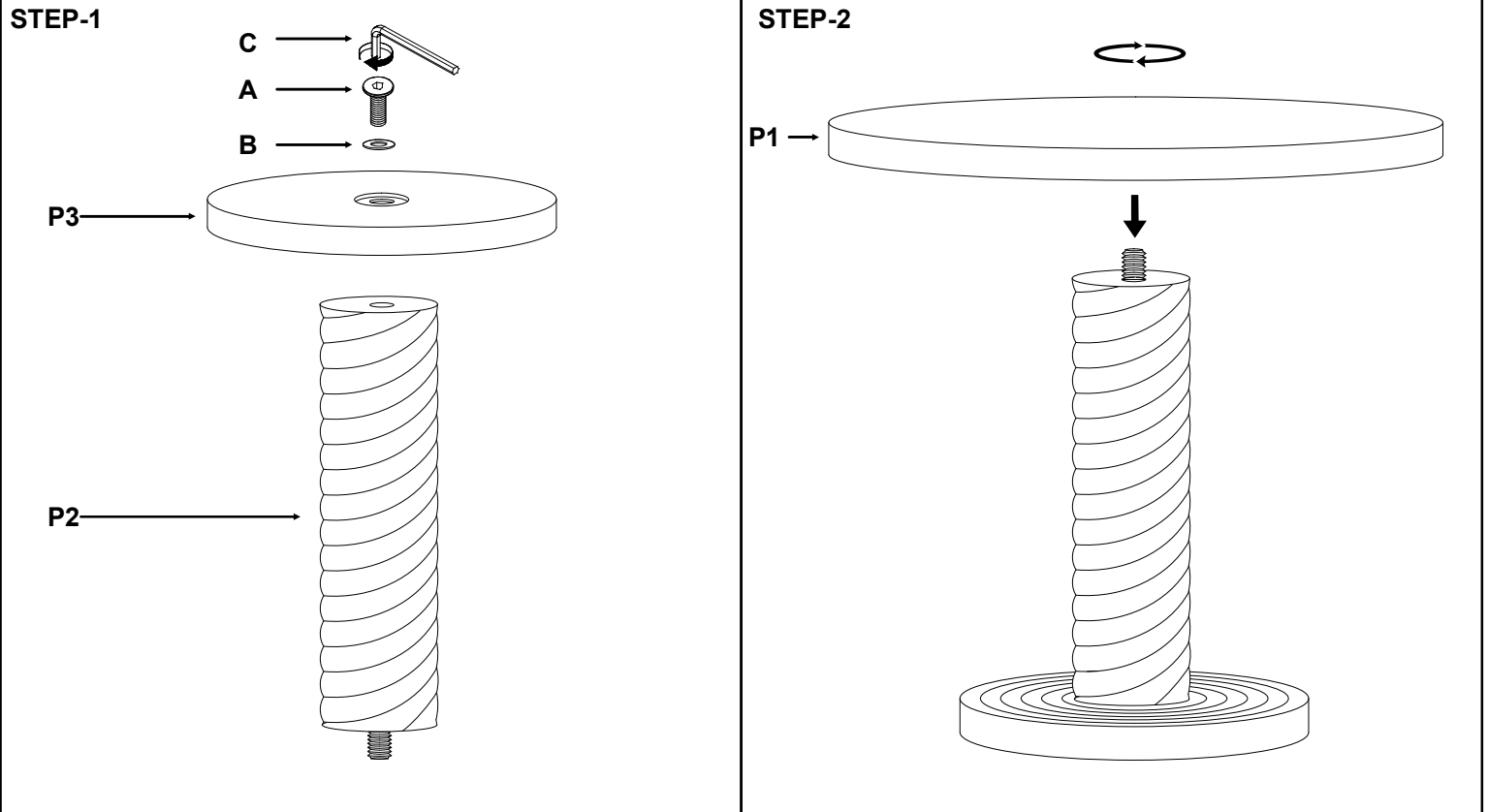


ASSEMBLY INSTRUCTIONS

ITEM NO. - 1724509-01-0

PARTS LIST

P1	x1	P2	x1	P3	x1	A	x1	B	x1	C	x1
											
						M8x40		M8x20		#5	



LOADABILITY

