

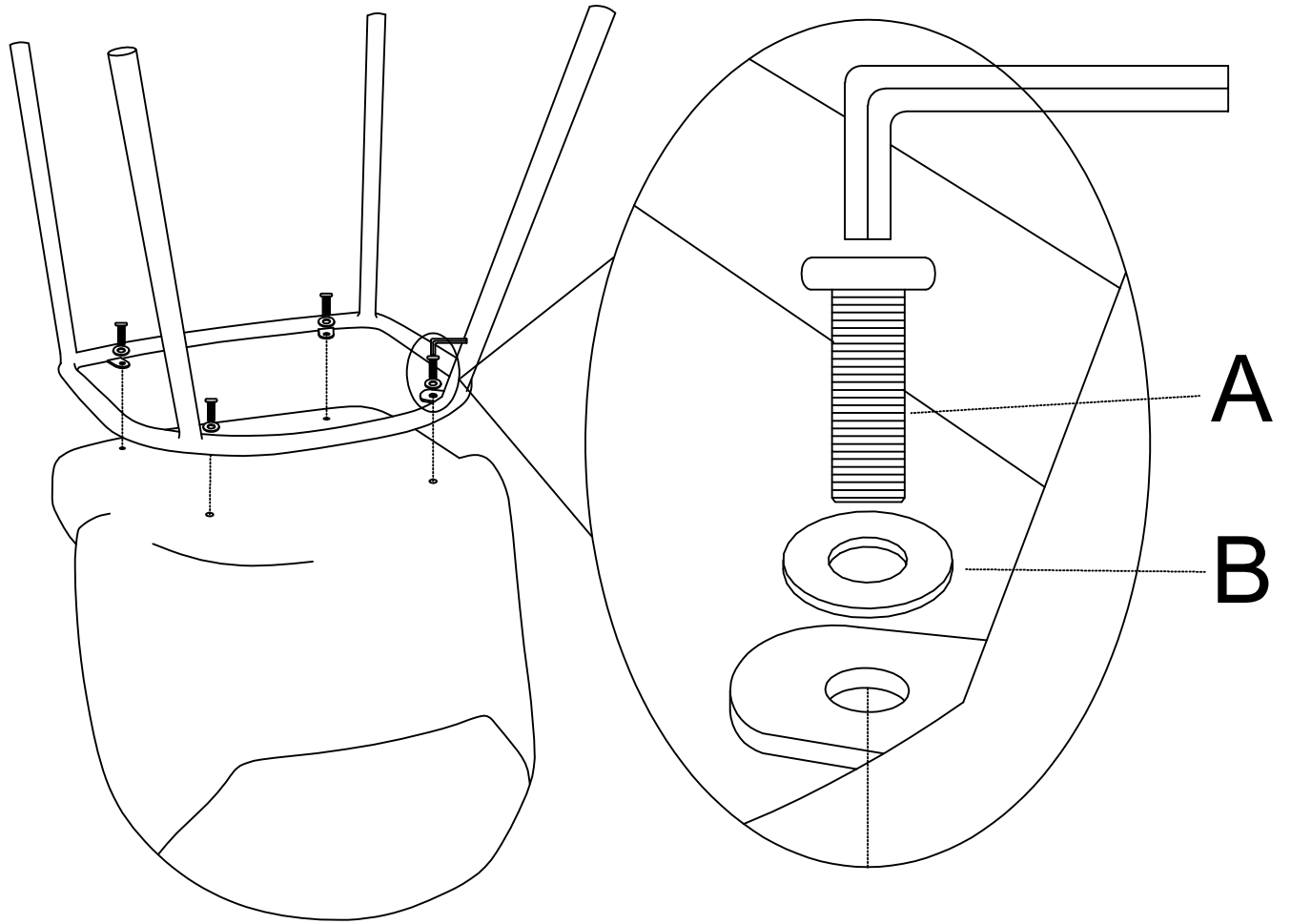
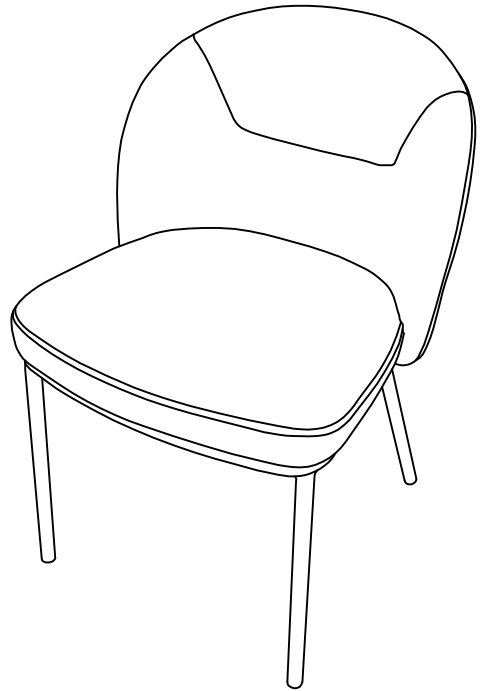


A		x4
B		x4

Step:1



Finish



0137188

