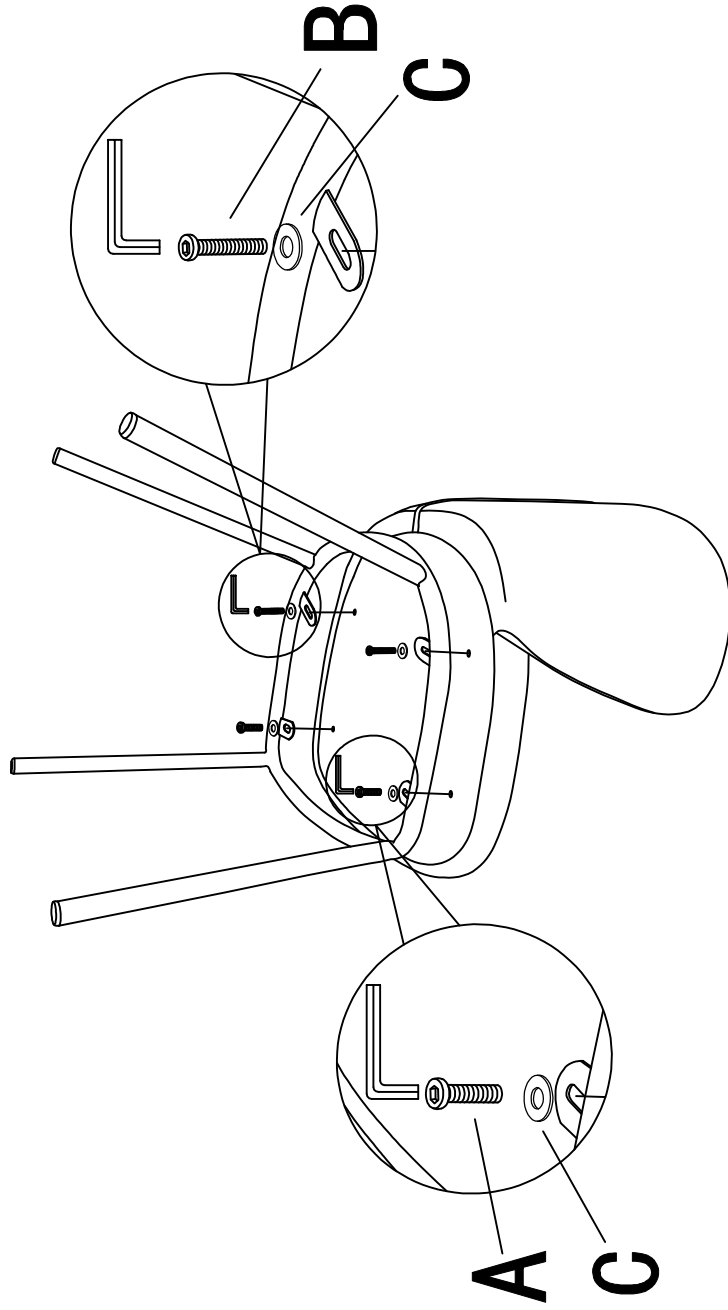



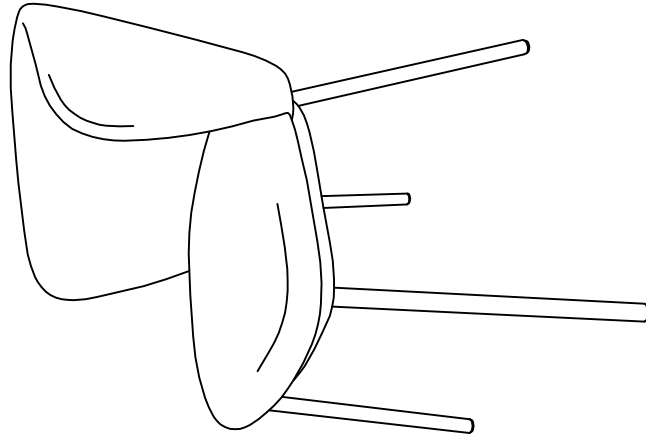


Step:1



A		x2
B		x2
C		x4

Finish



0139131

