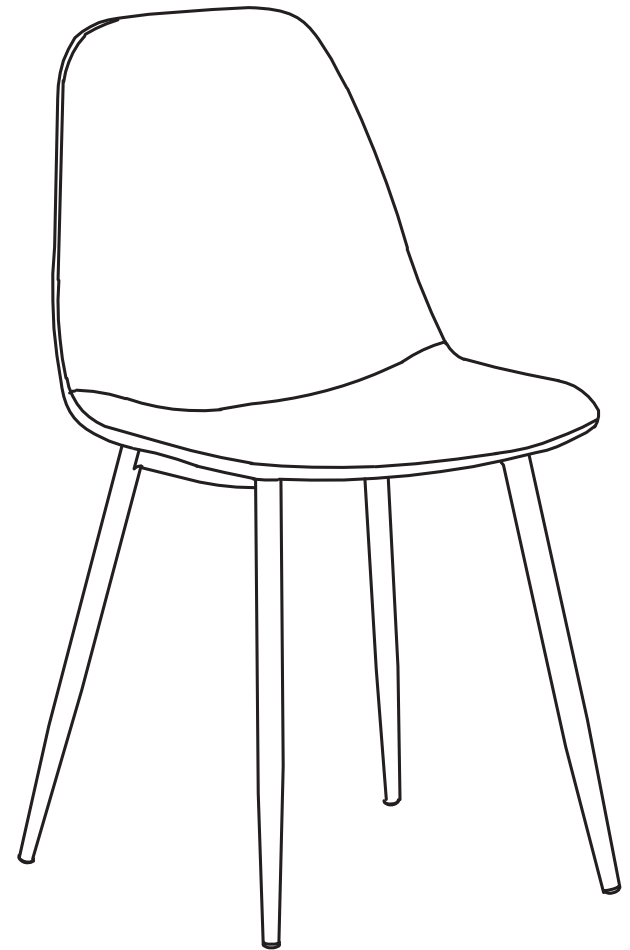
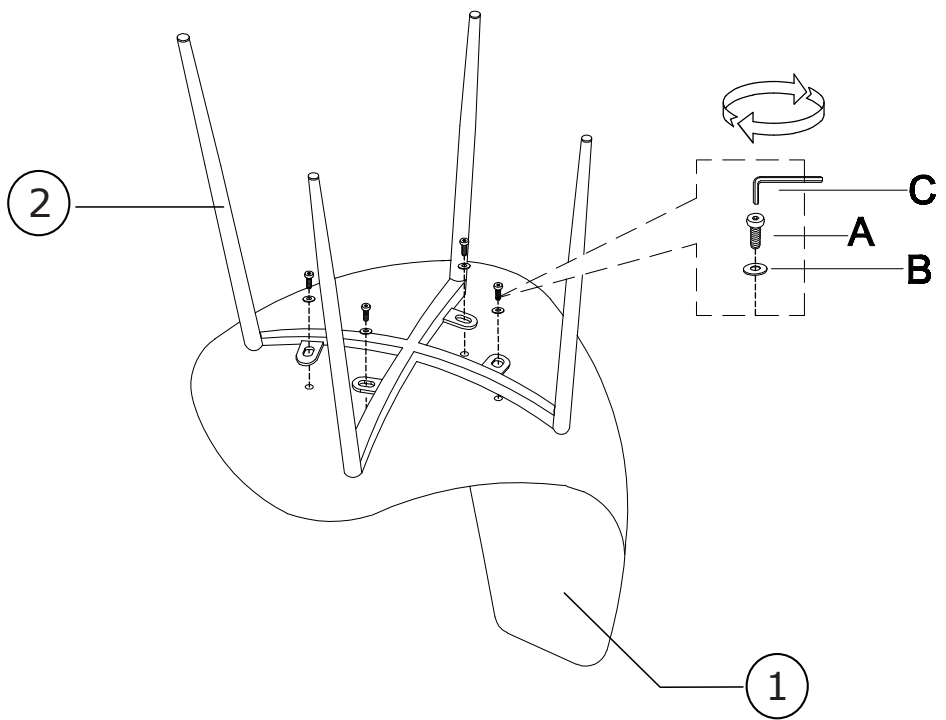


# RITHA **CHAIR**



1



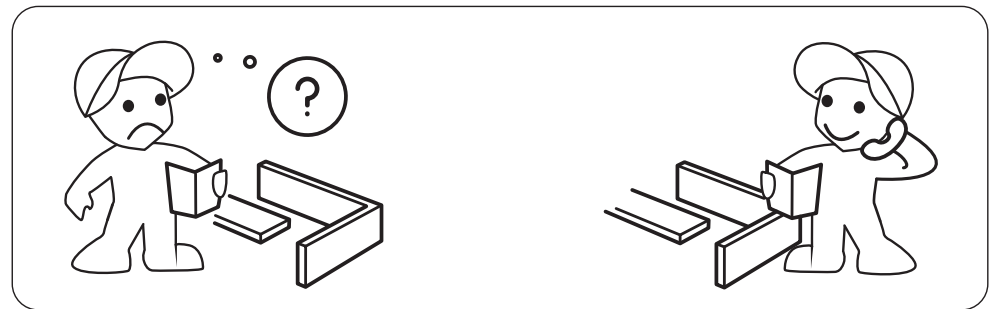
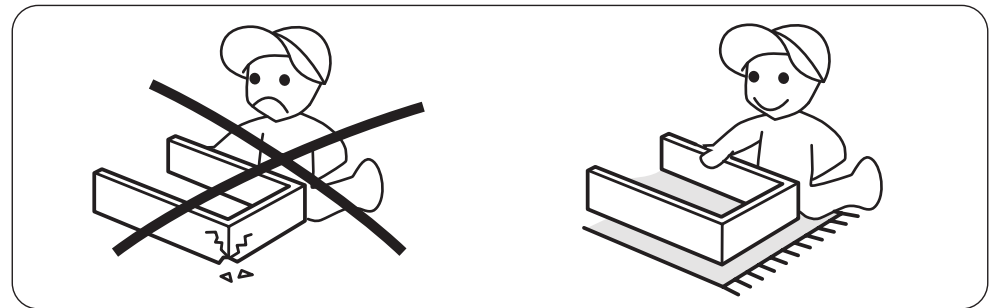
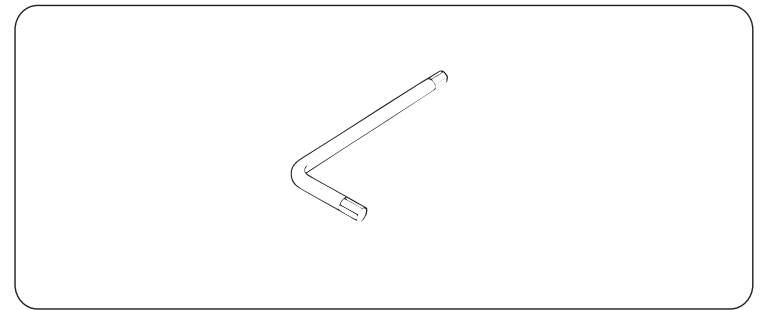
**Bx4**

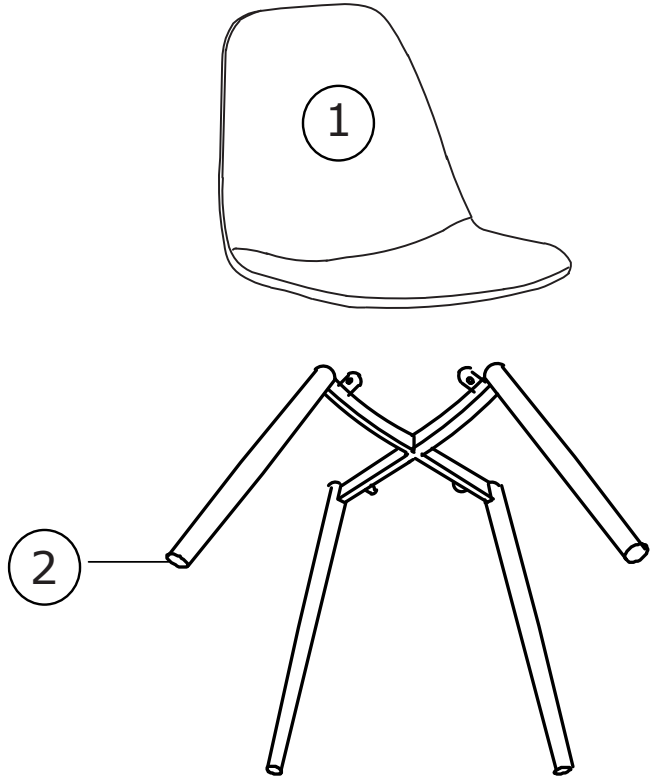


**Ax4**



**Cx1**





Ax4  
16mm



Bx4  
M6xΦ16mm



Cx1  
M5