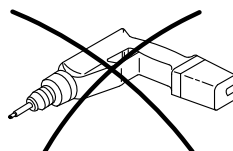
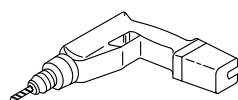
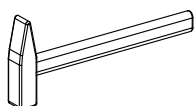
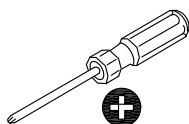
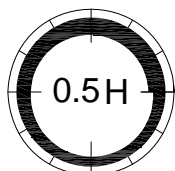
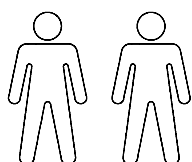
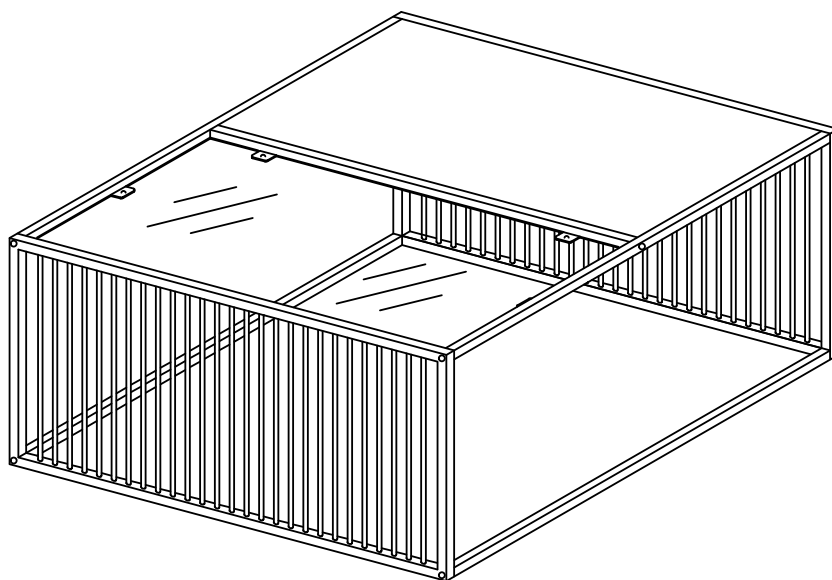
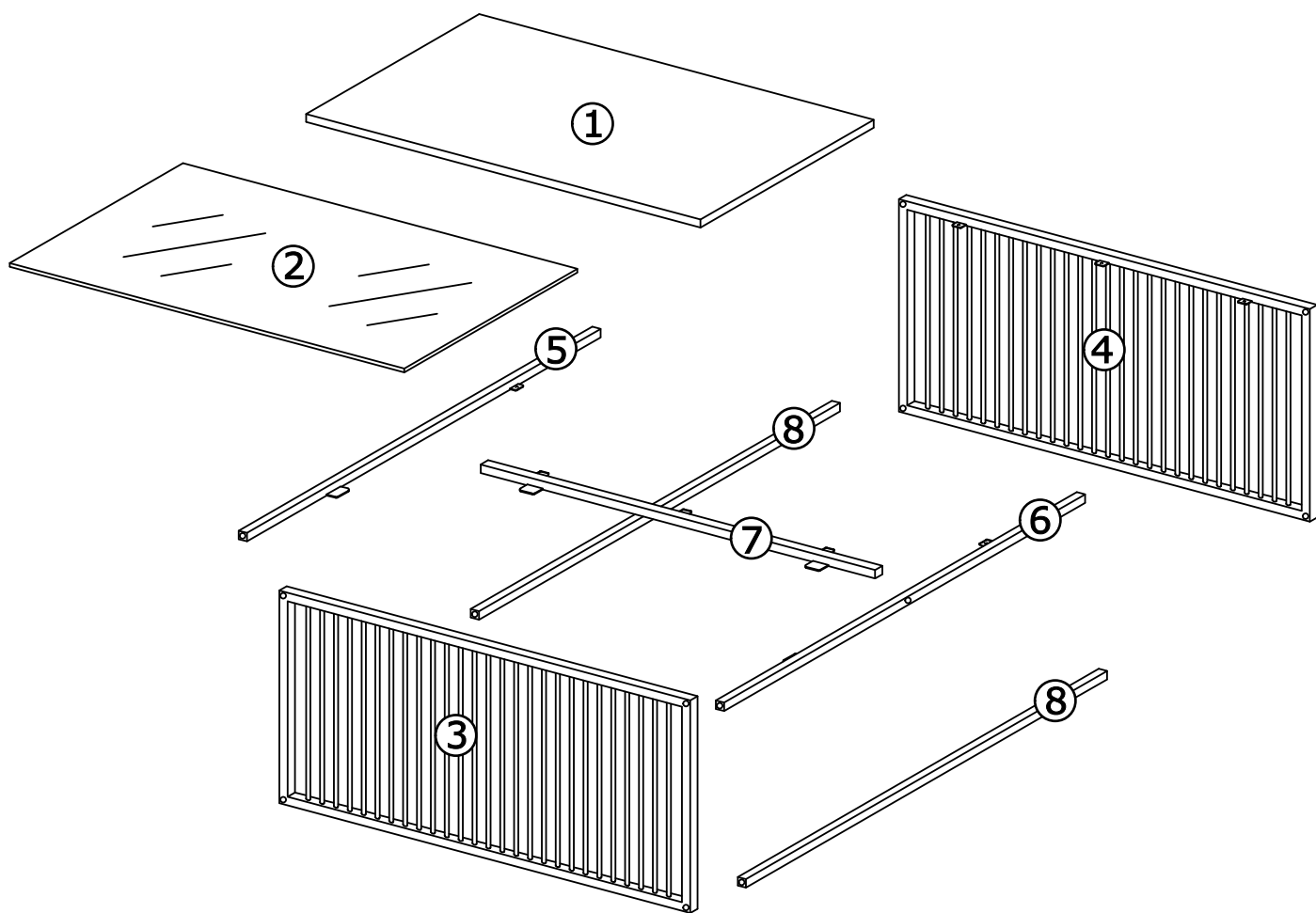


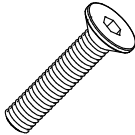


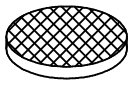


STRINGTON

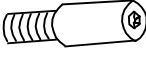



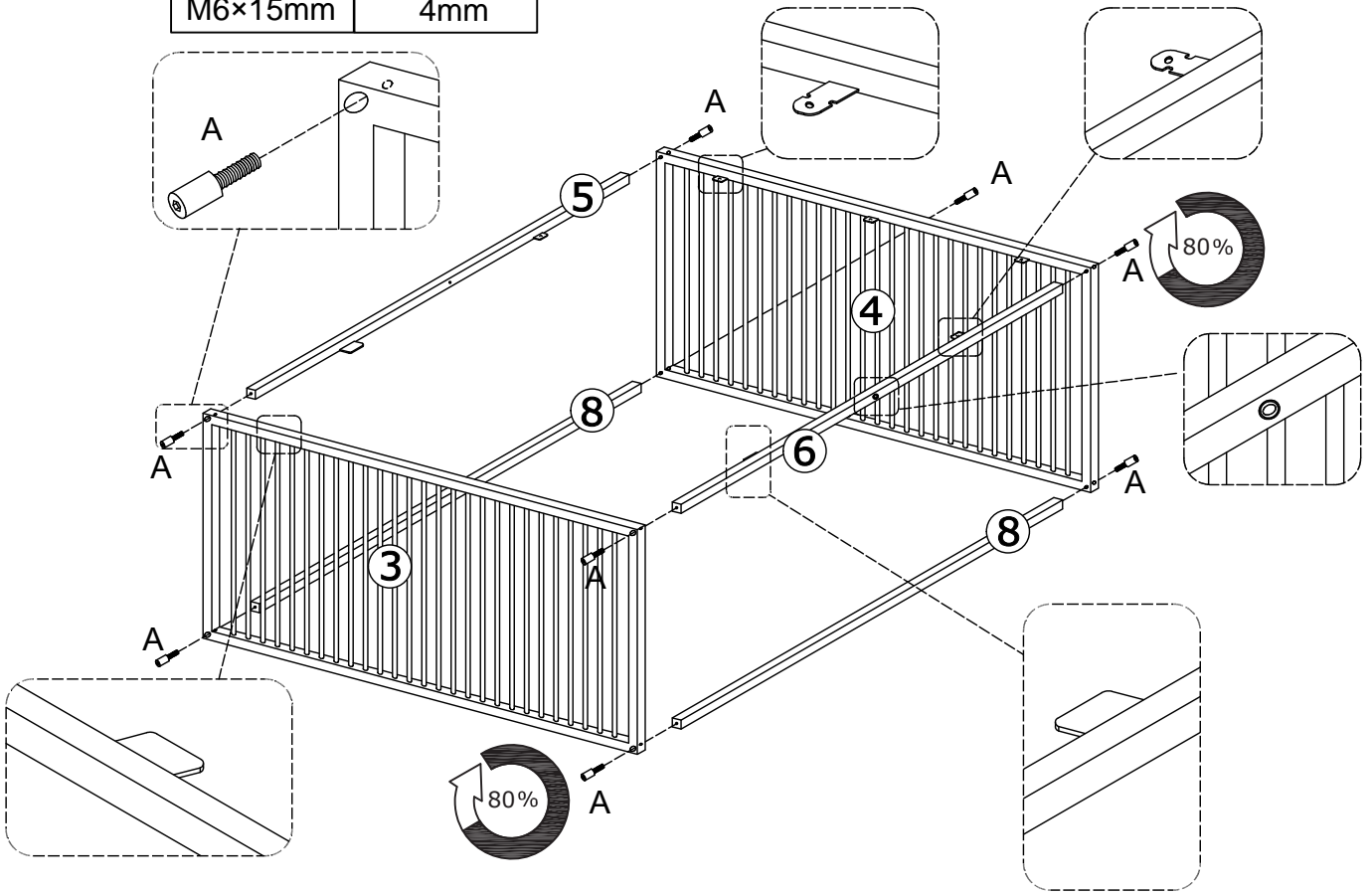
| | | | |
|---|---|---------------|---|
| | | | ✓ |
| ① | 1 | 767x375x12 | |
| ② | 1 | 767x375x5 | |
| ③ | 1 | 800x400x26/16 | |
| ④ | 1 | 800x400x42/16 | |
| ⑤ | 1 | 768x42x16 | |
| ⑥ | 1 | 768x42x16 | |
| ⑦ | 1 | 768x52x16 | |
| ⑧ | 2 | 768x16x16 | |





| | | | |
|---|--|---|---|
| <p>A x 8</p>  <p>M6×15mm</p> | <p>B x 8</p>  <p>Ø4×12mm</p> | <p>C x 2</p>  <p>M6×30mm</p> | <p>D x 1</p>  <p>4mm</p> |
| <p>Ex 6</p>  <p>Ø8x1 mm</p> | <p>F x 6</p>  <p>Ø15x3 mm</p> | | |

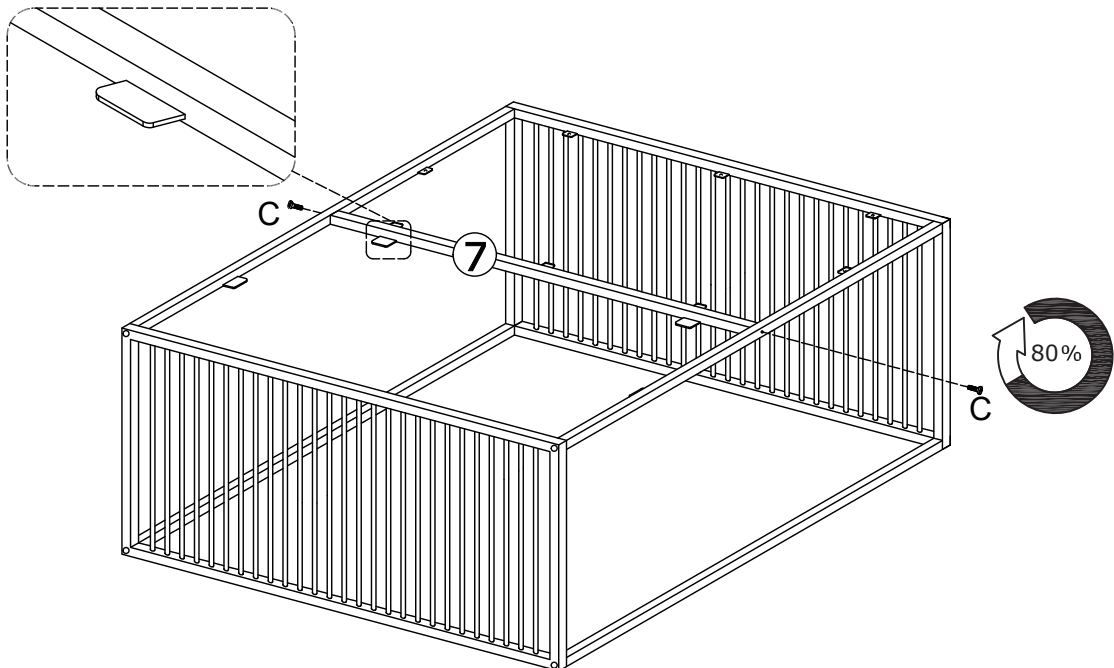
1

| | |
|---|---|
| A x 8  M6x15mm | D x 1  4mm |
|---|---|

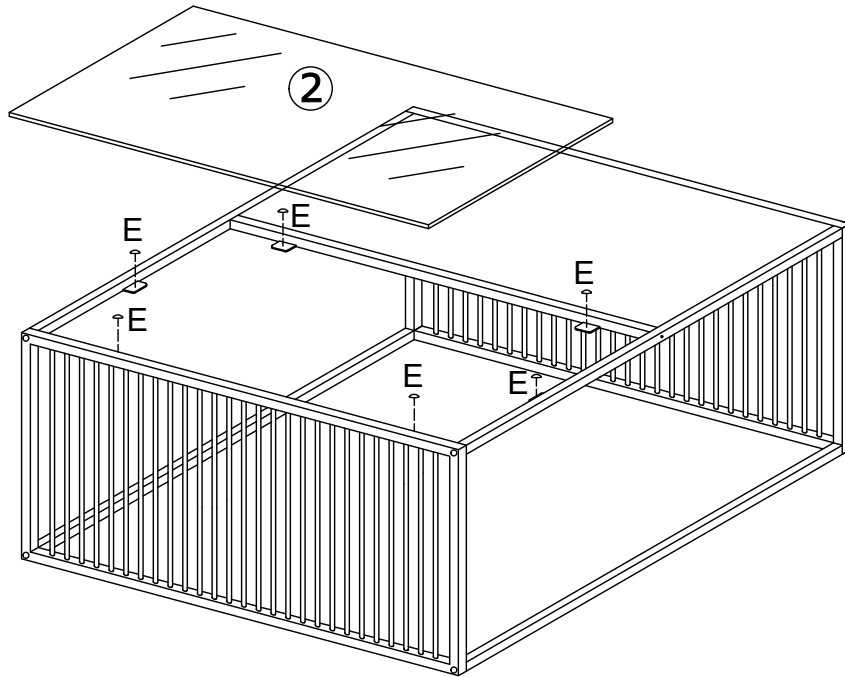
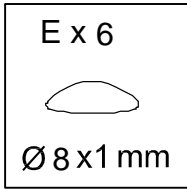


2

| | |
|---|---|
| C x 2  M6x30mm | D x 1  4mm |
|---|---|



5



6

