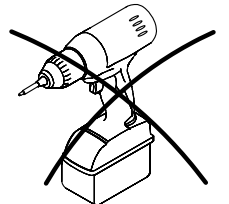
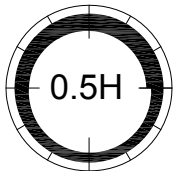
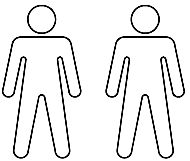
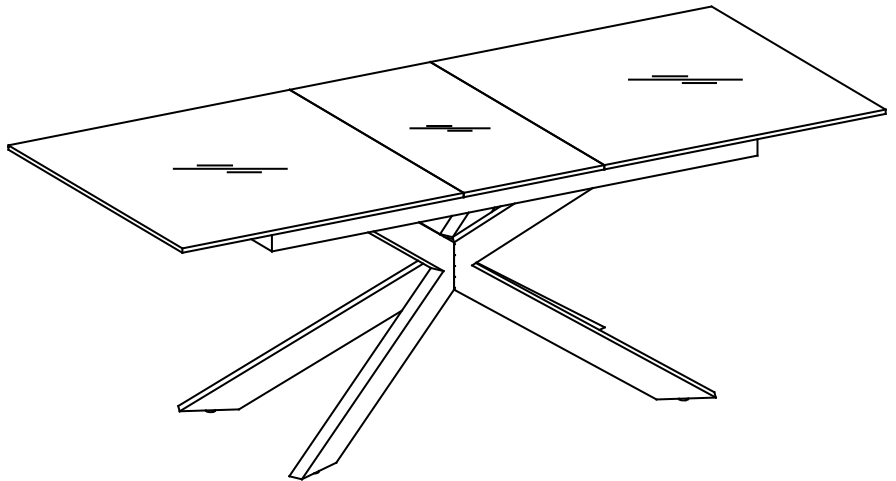
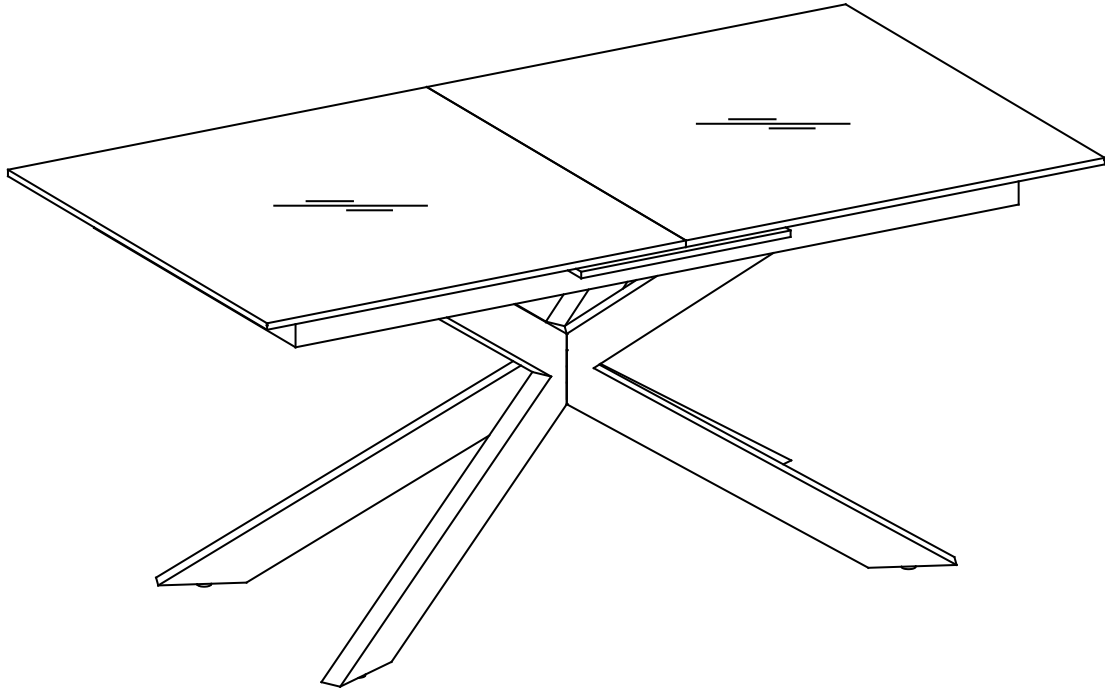
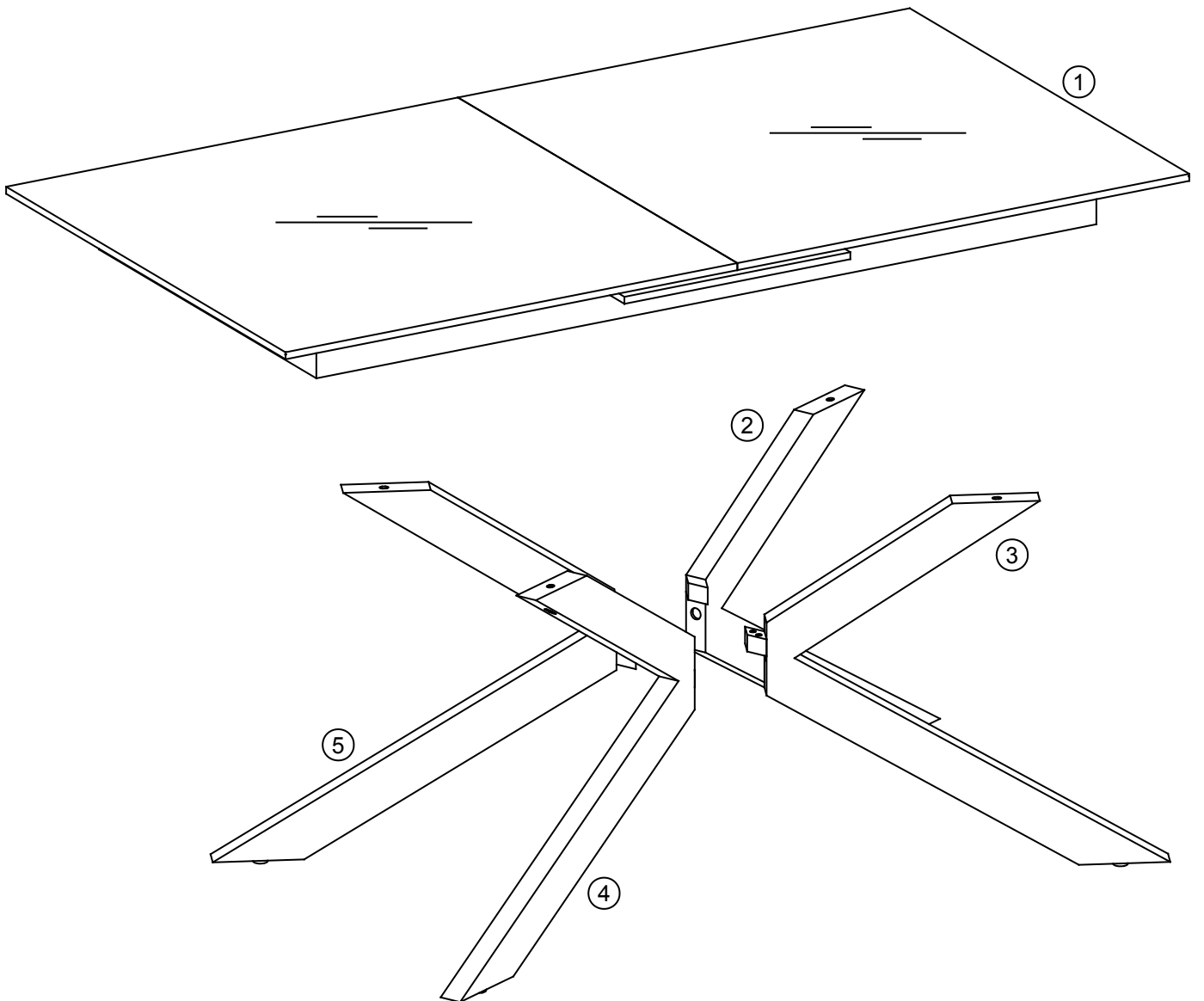
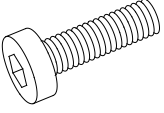
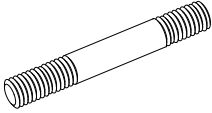


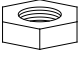
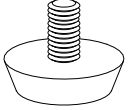
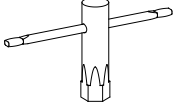

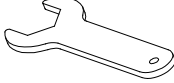



IRWINE

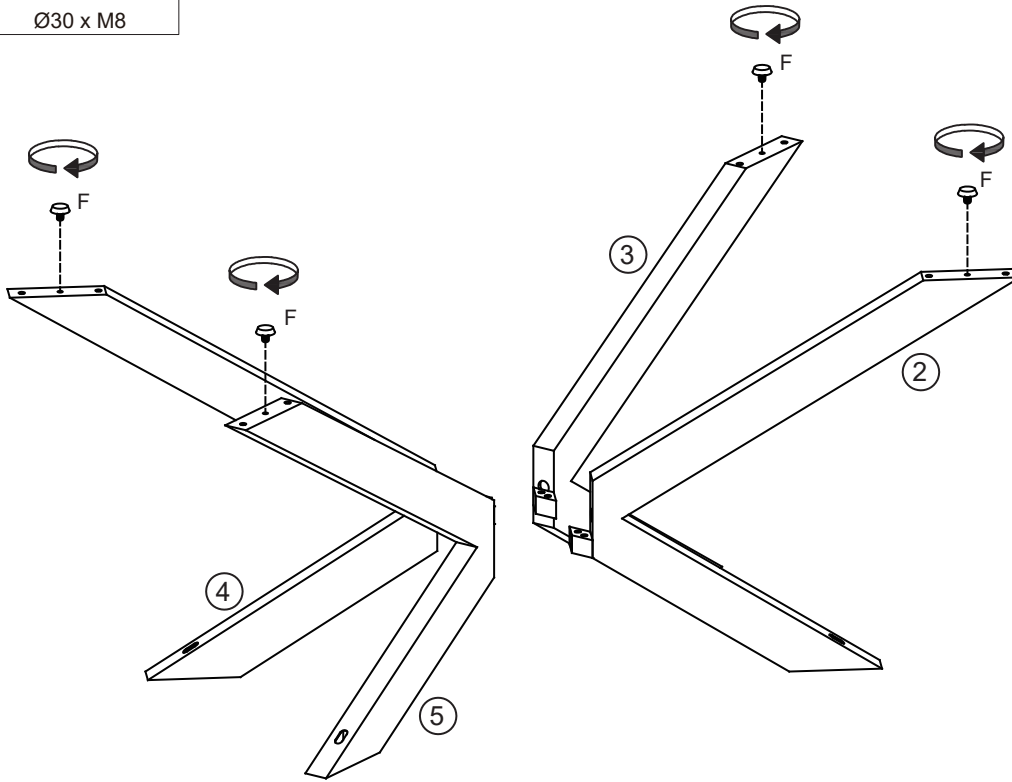
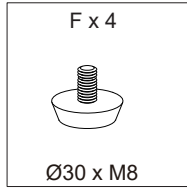


			✓
①	1	1680x900x100	
②	1	652x714x40	
③	1	652x714x40	
④	1	652x714x40	
⑤	1	652x714x40	

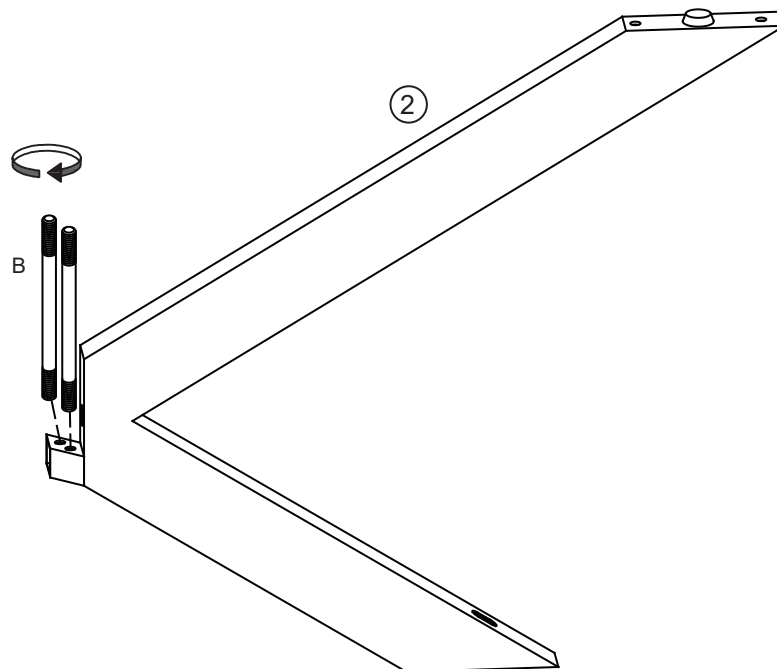
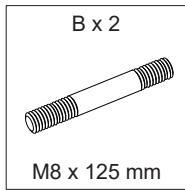


<p>A x 4</p>  <p>M8 x35 mm</p>	<p>B x 2</p>  <p>M8 x 125 mm</p>	<p>C x 2</p>  <p>Ø8.5/Ø11 mm</p>	<p>D x 2</p>  <p>Ø8.5/Ø13 mm</p>	<p>E x 2</p>  <p>M8/14mm</p>
<p>F x 4</p>  <p>Ø30 x M8</p>	<p>G x 1</p>  <p>14 mm</p>	<p>H x 1</p>  <p>5 mm</p>	<p>J x 2</p>  <p>14 mm</p>	<p>K x 1</p>  <p>4 mm</p>

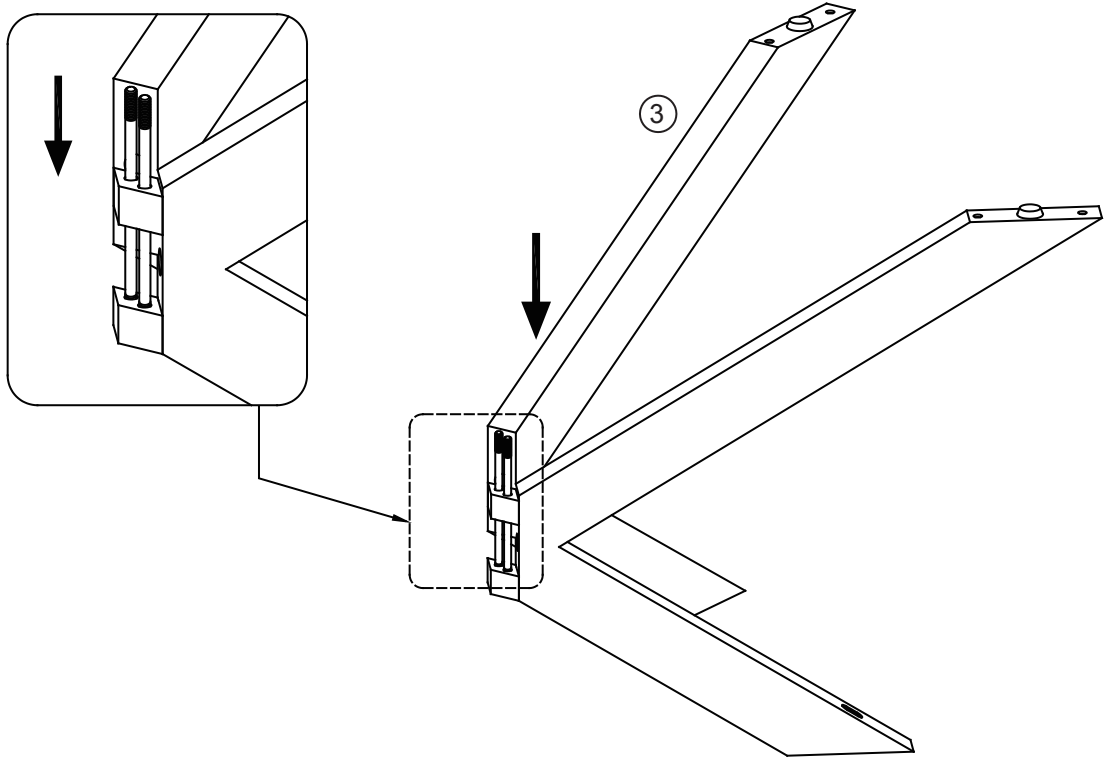
1



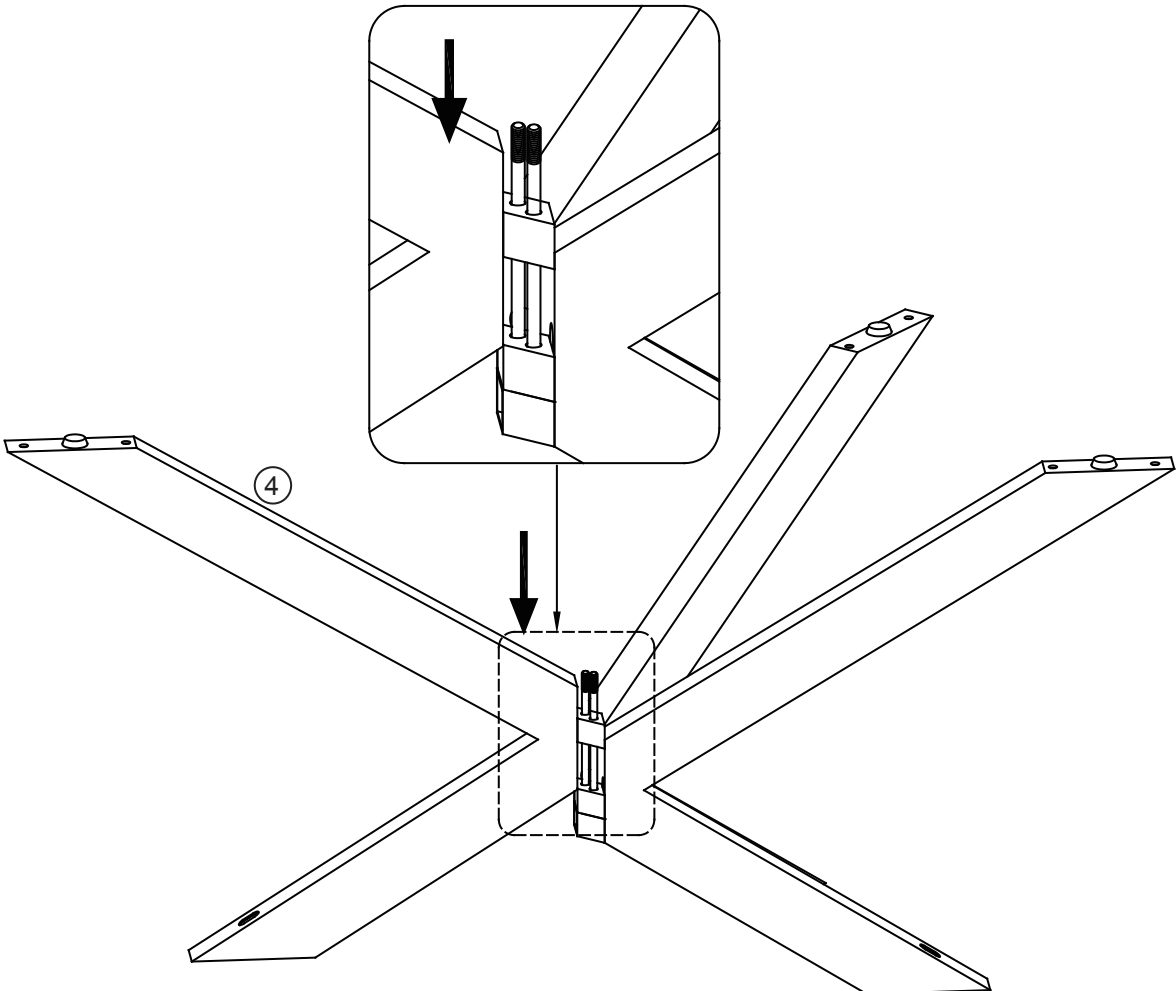
2



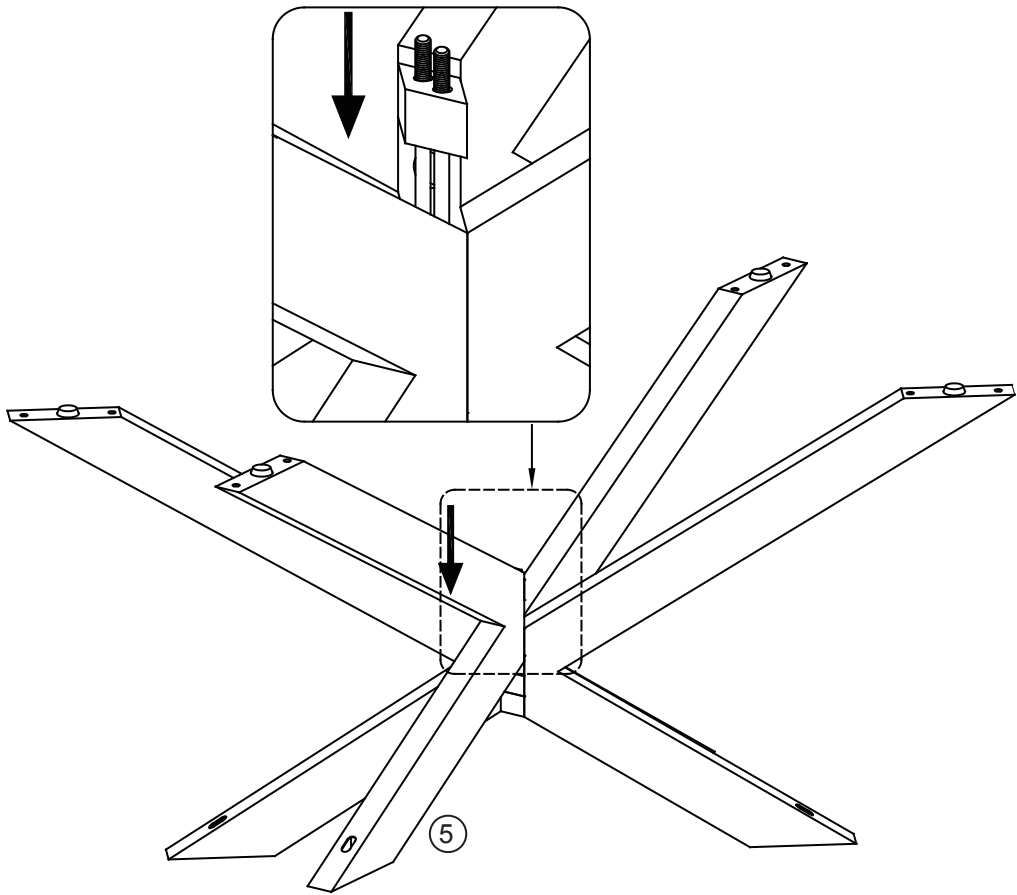
3



4

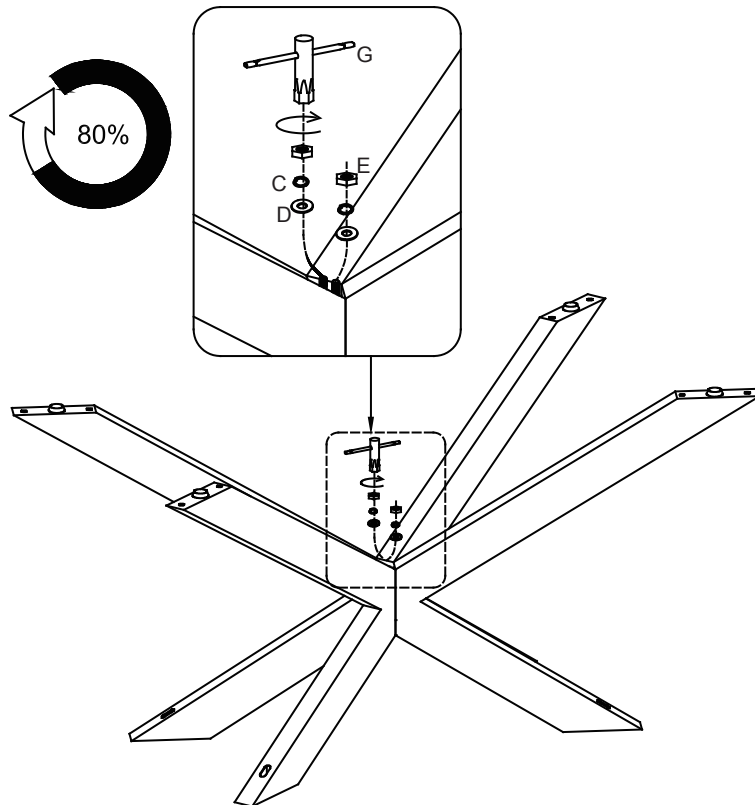


5

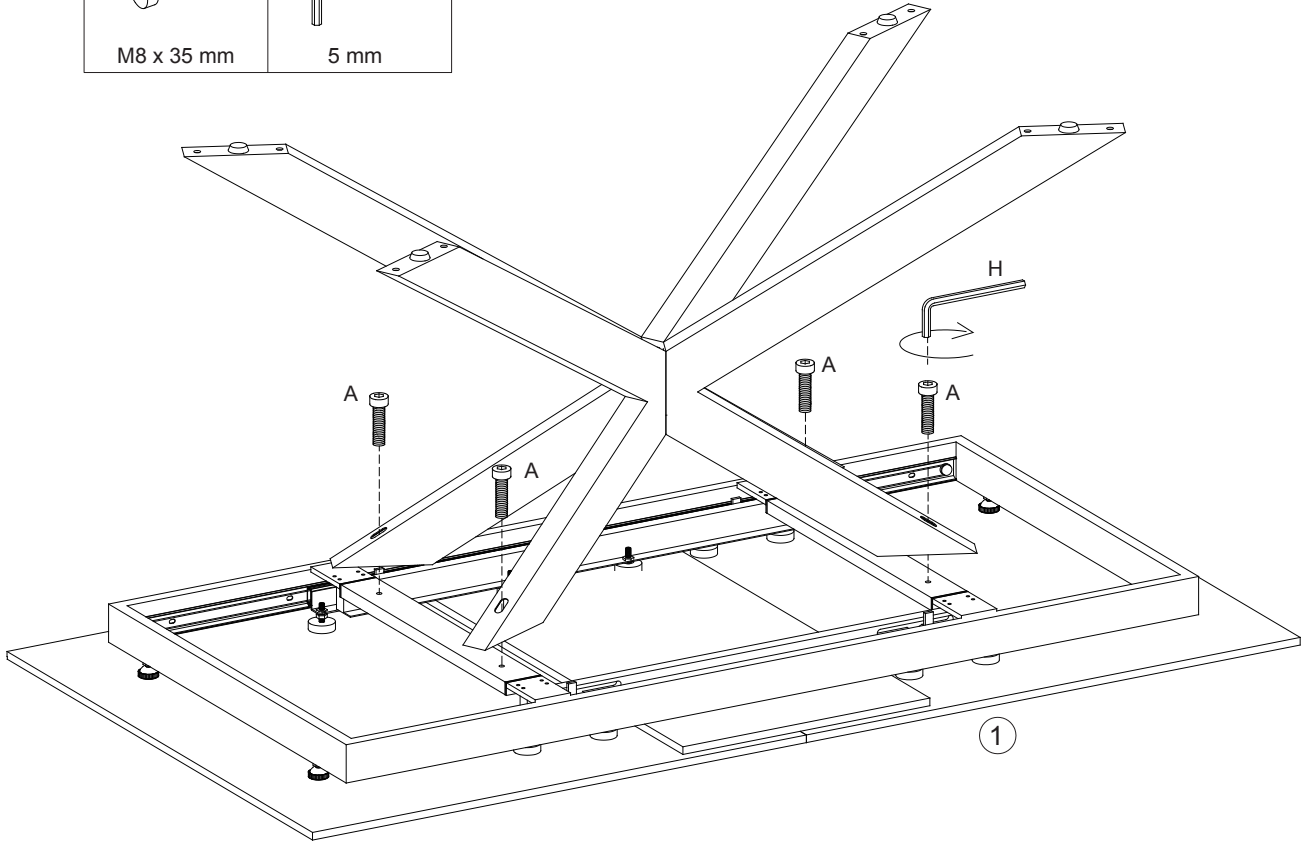
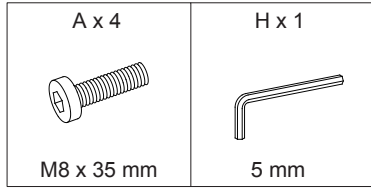


6

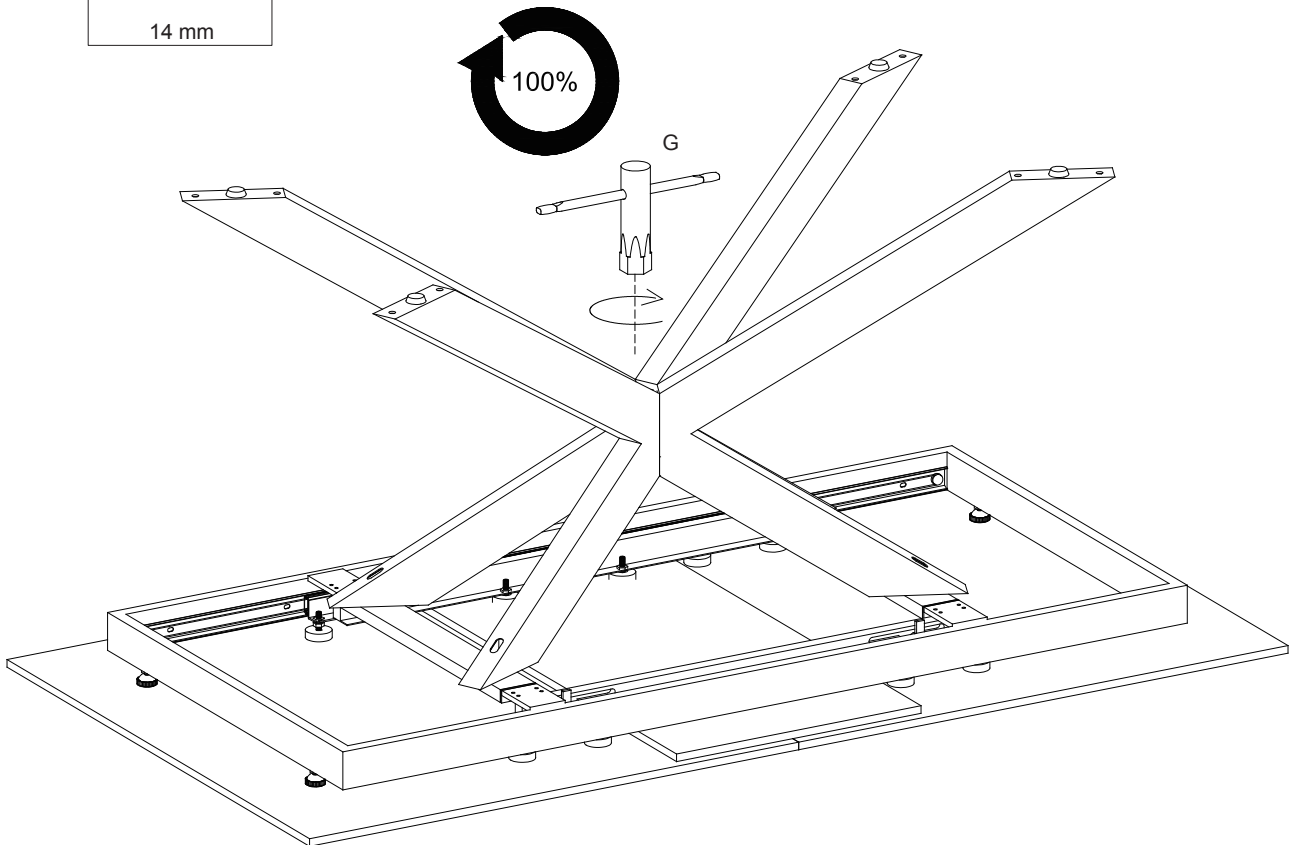
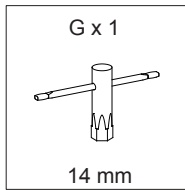
C x 2	D x 2	E x 2	G x 1
Ø8.5/Ø11 mm	Ø8.5/Ø13 mm	M8/14 mm	14 mm



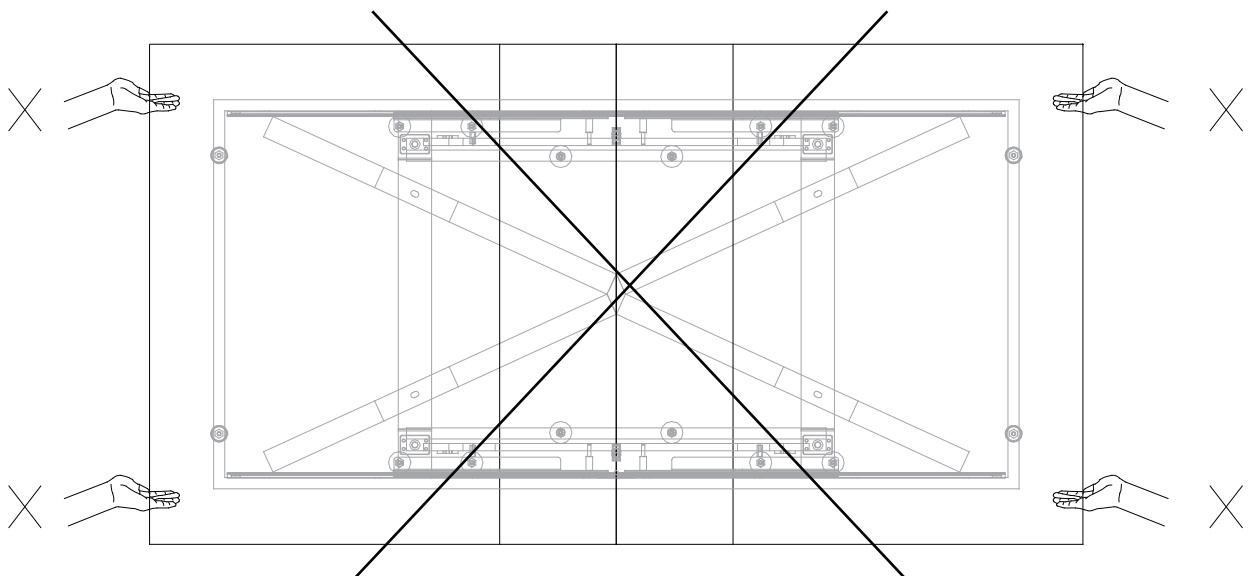
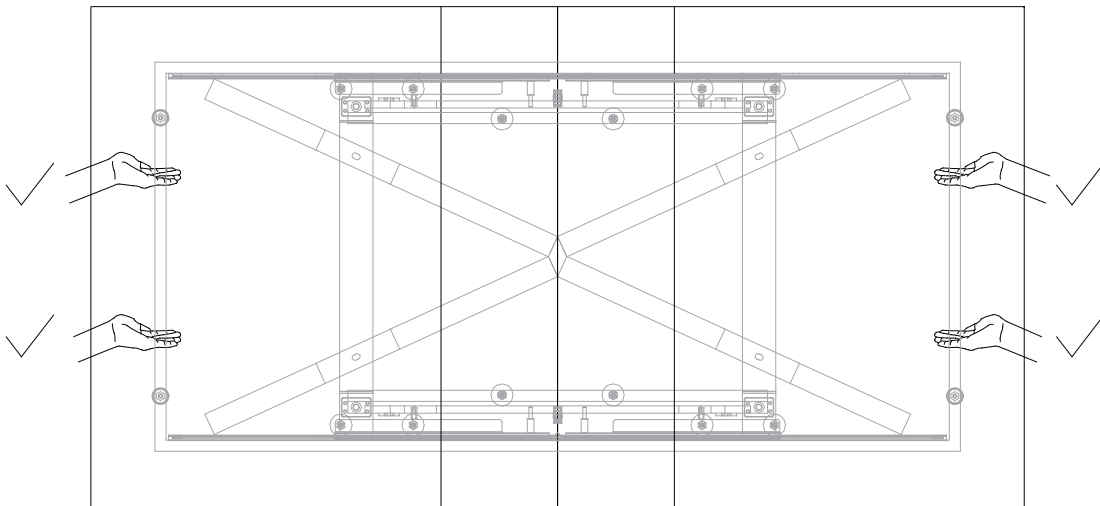
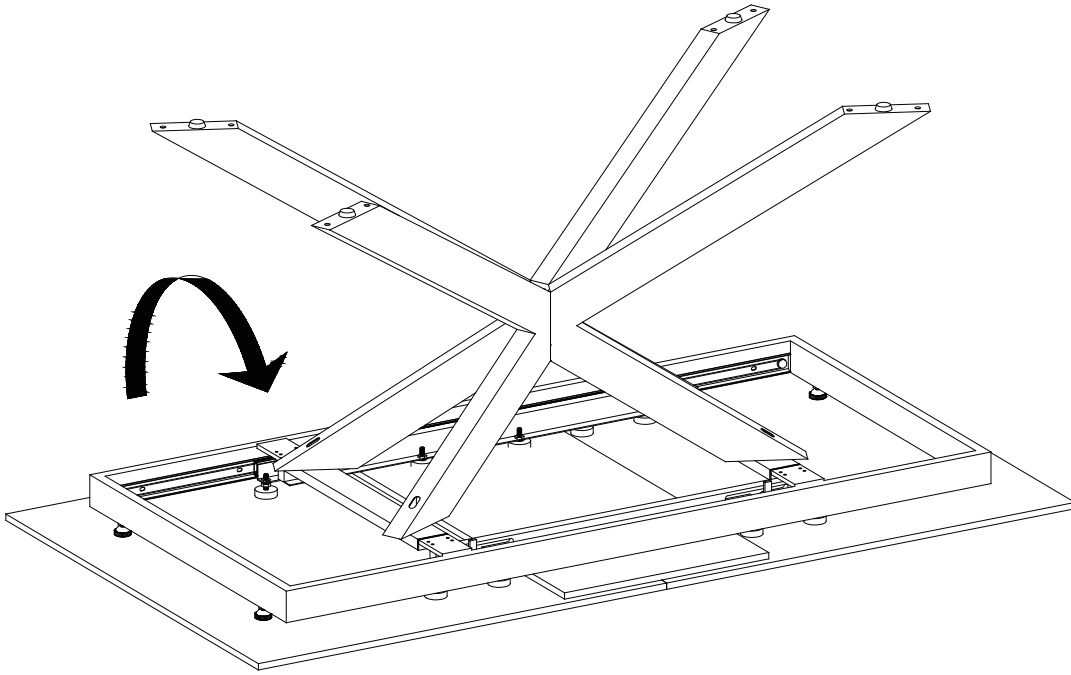
7



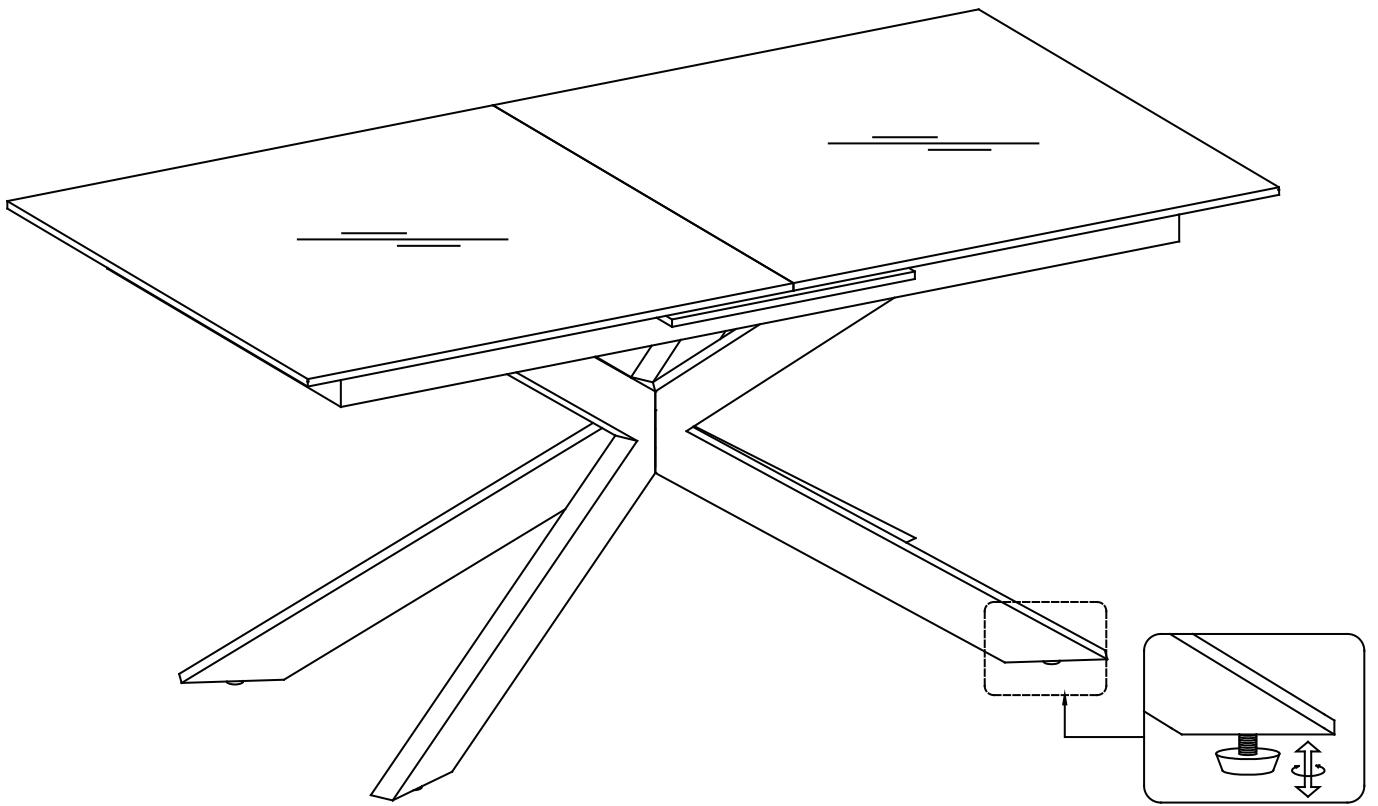
8





9

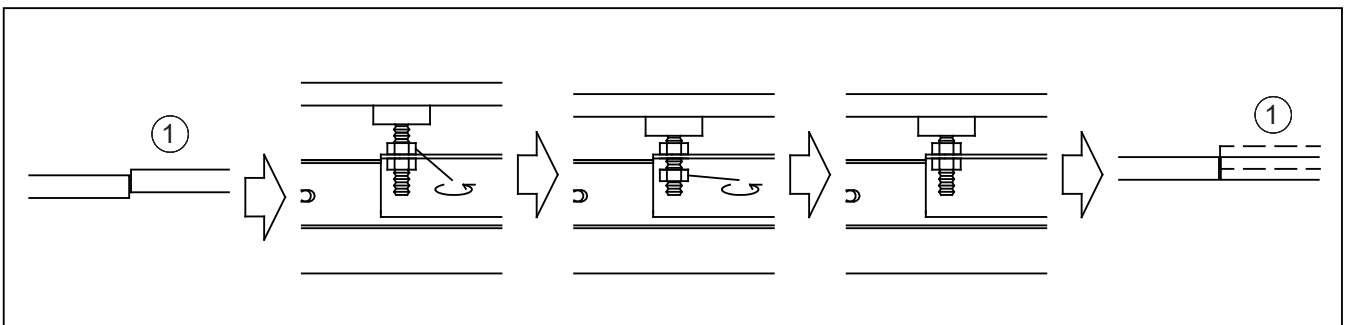
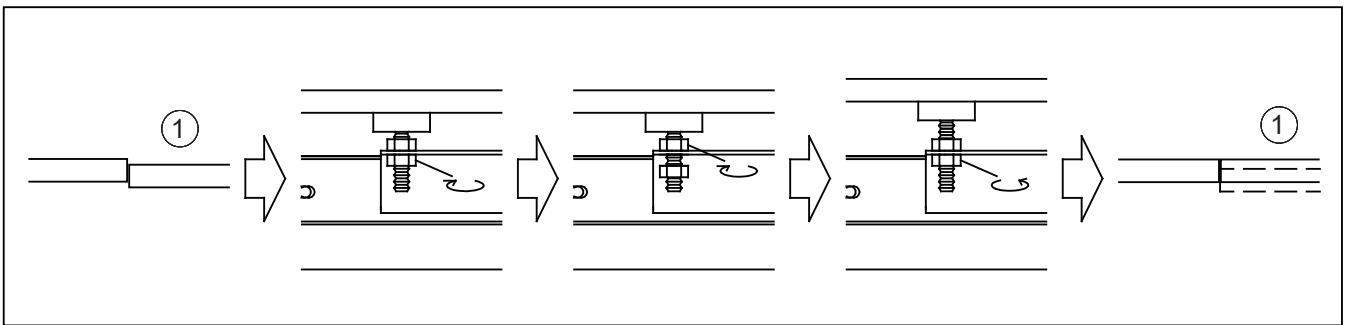
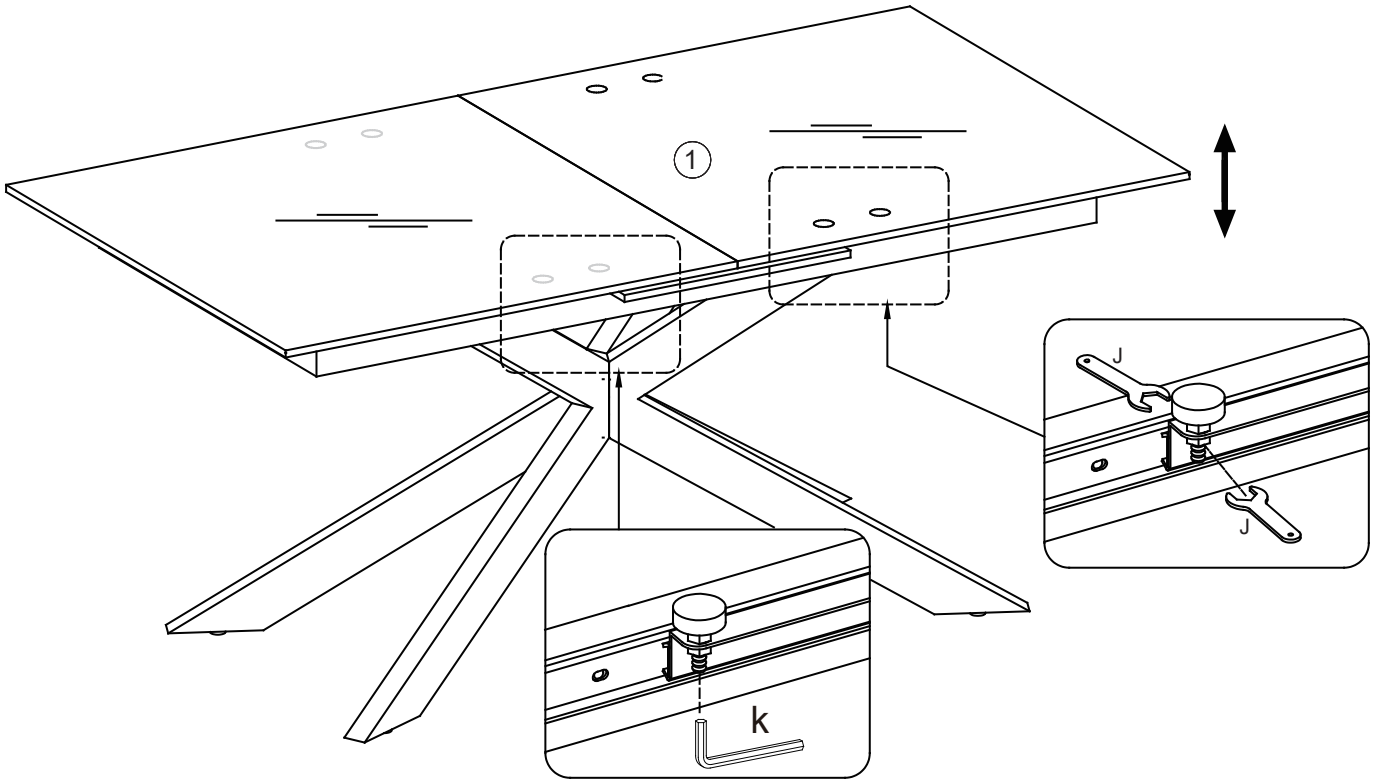


10

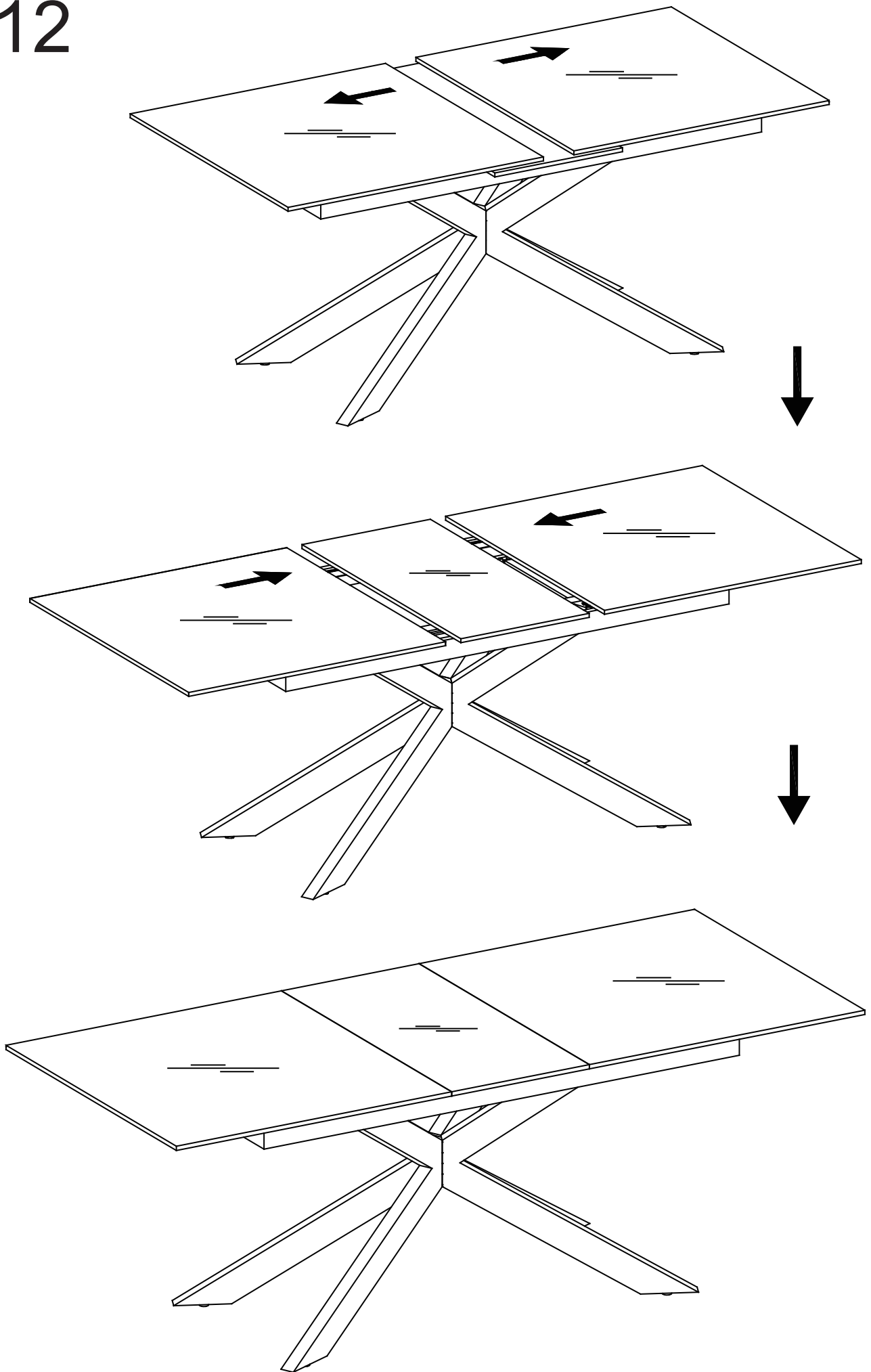


11

J x 2	K x 1
	
14 mm	4 mm



12



13

