

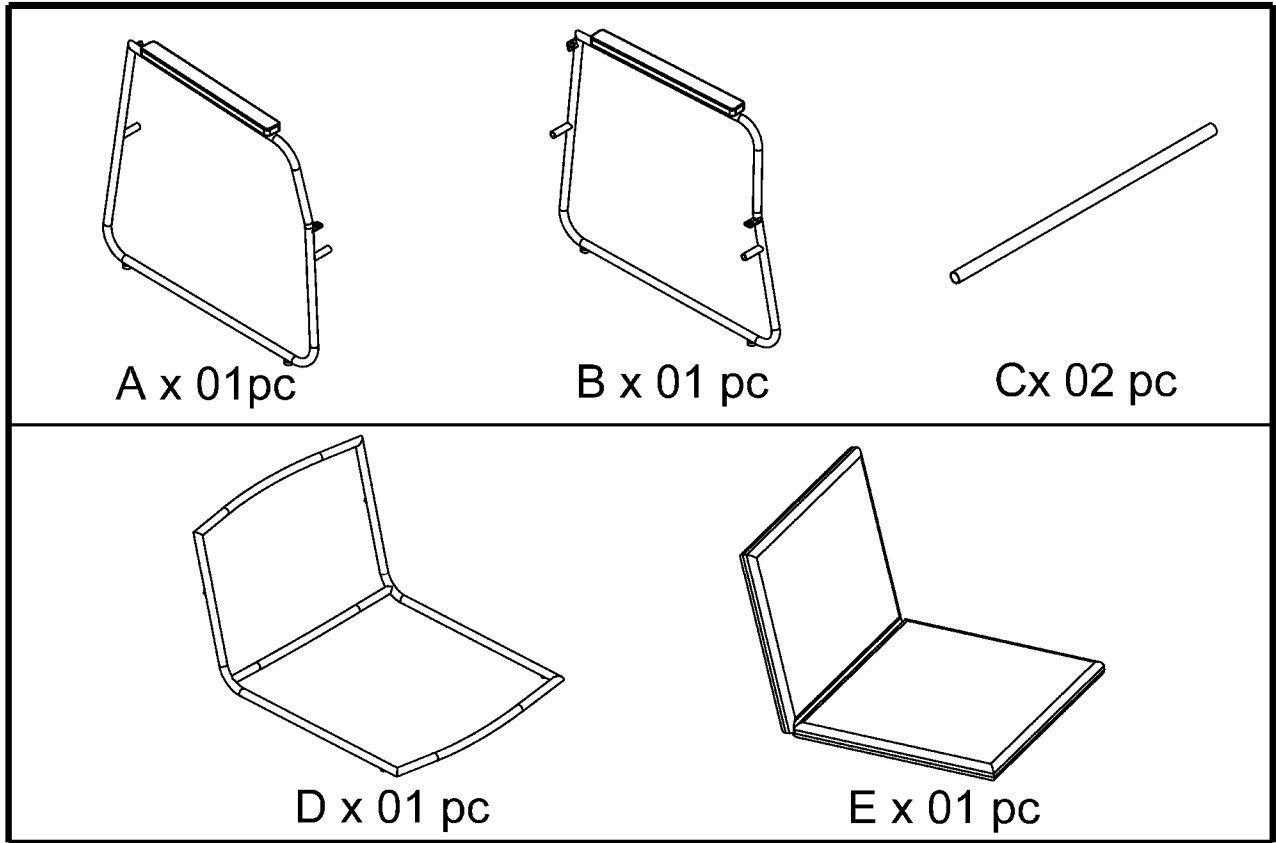
# ASSEMBLY INSTRUCTION

Hampton Lounge Chair

ITEM #: 82059681



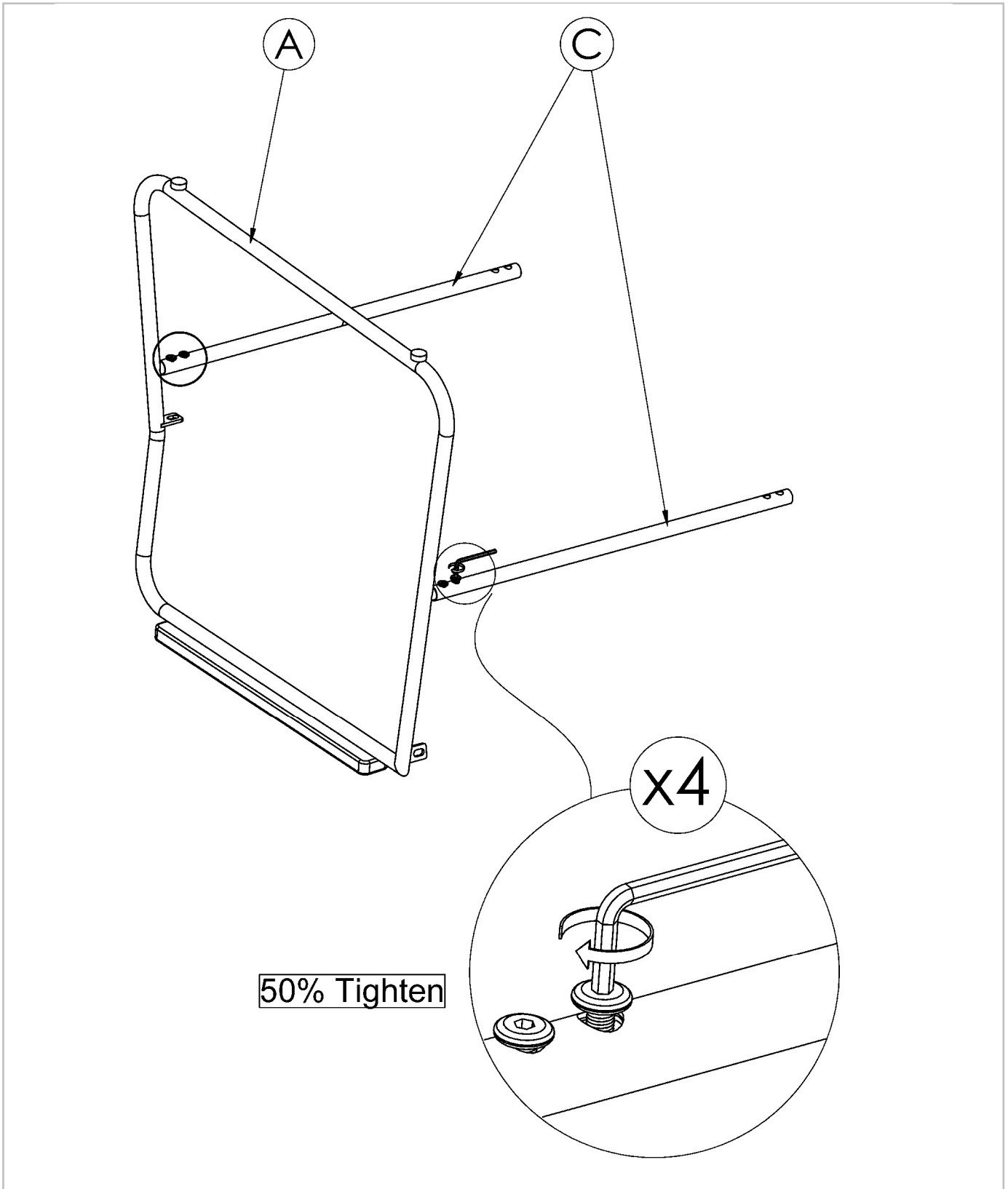
# COMPONENT LIST



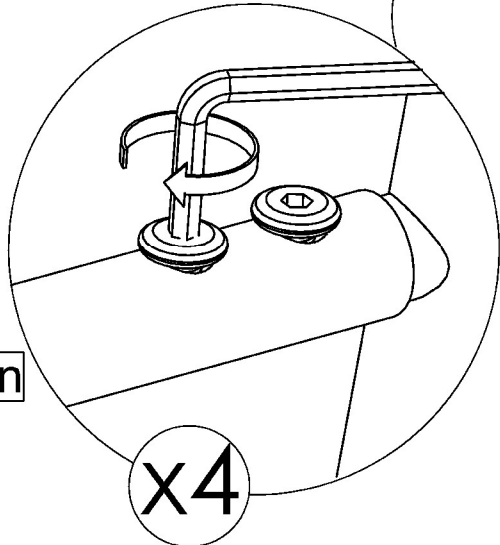
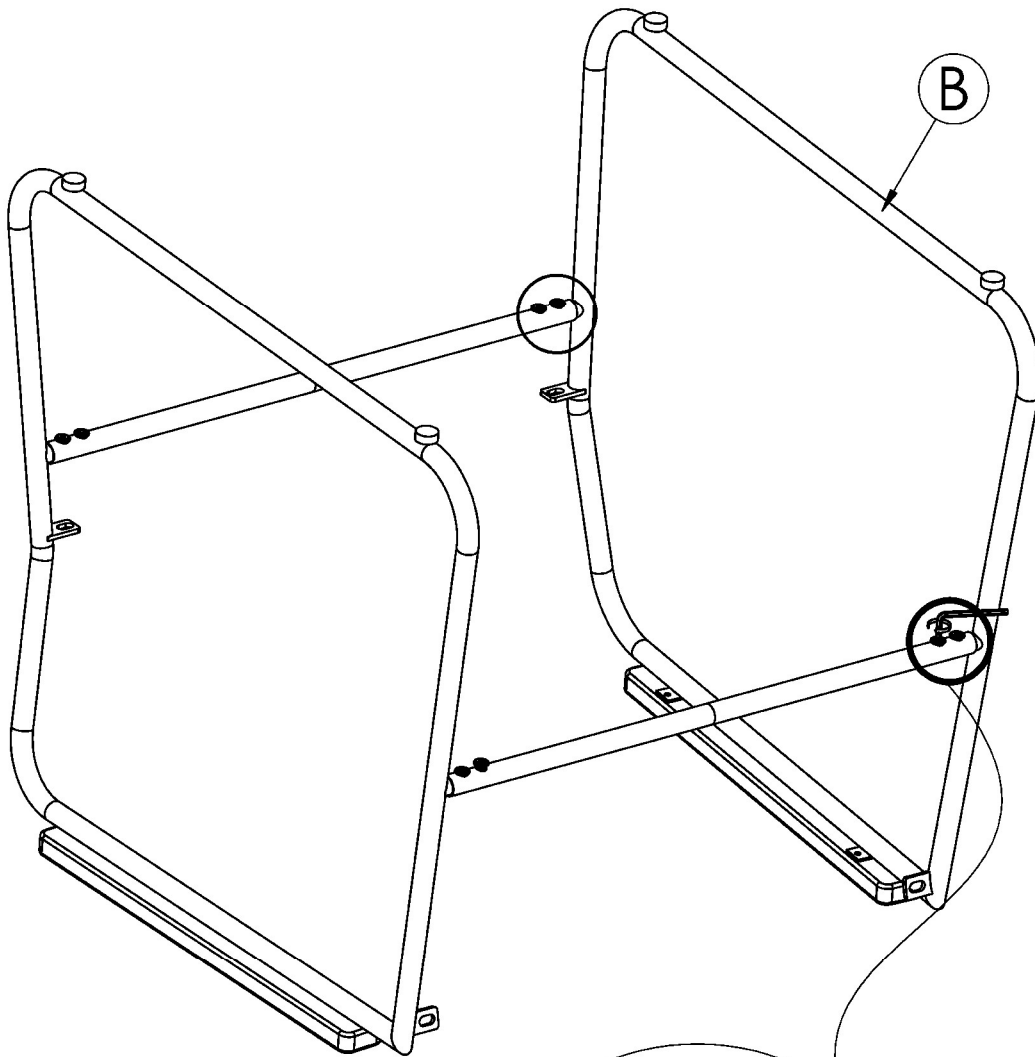
1		M6x15	12 pcs
2		∅6 x ∅19	04 pcs
3		Key 4	01 pc



INSTRUCTION  
Step 1



INSTRUCTION  
Step 2

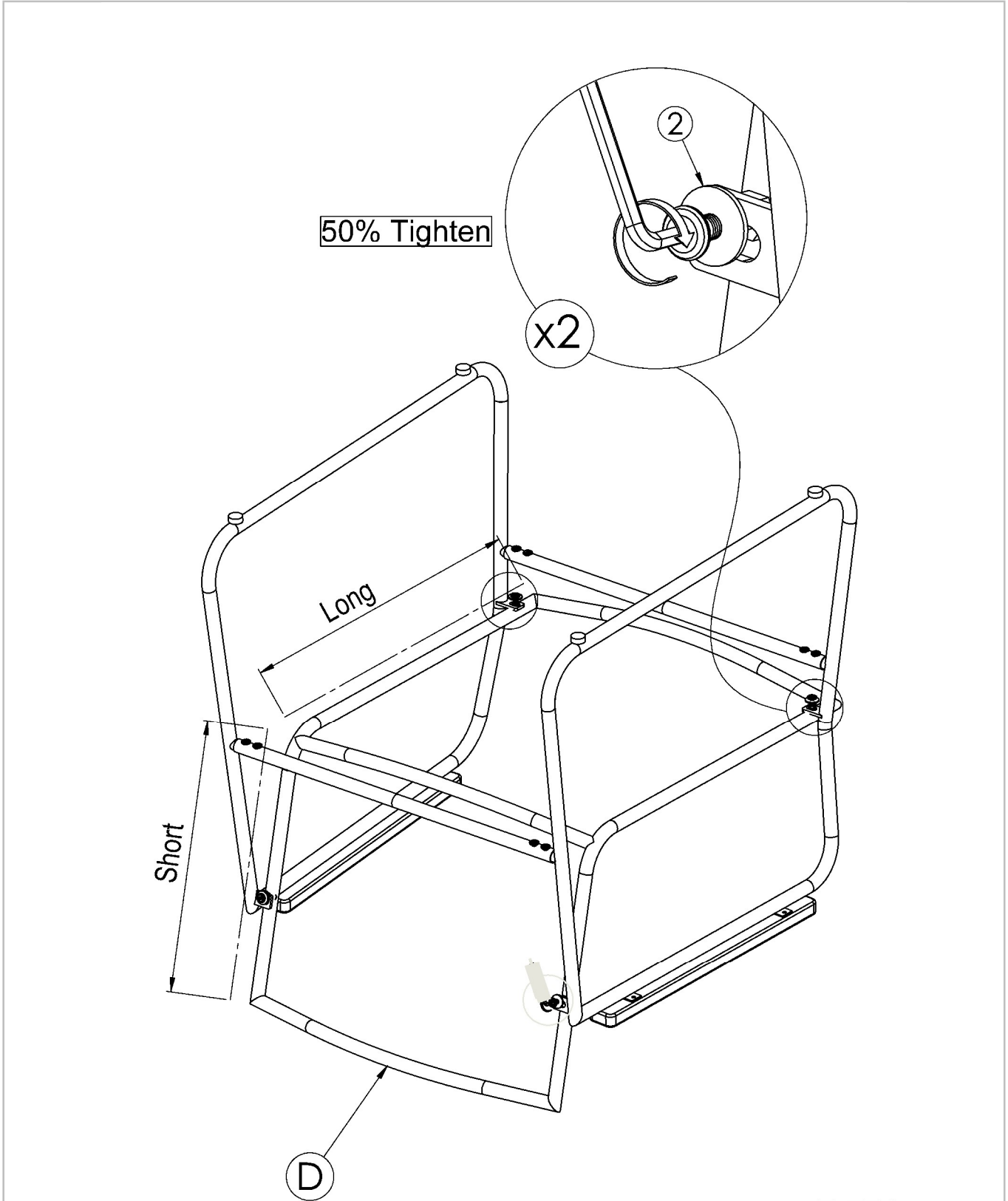


50% Tighten



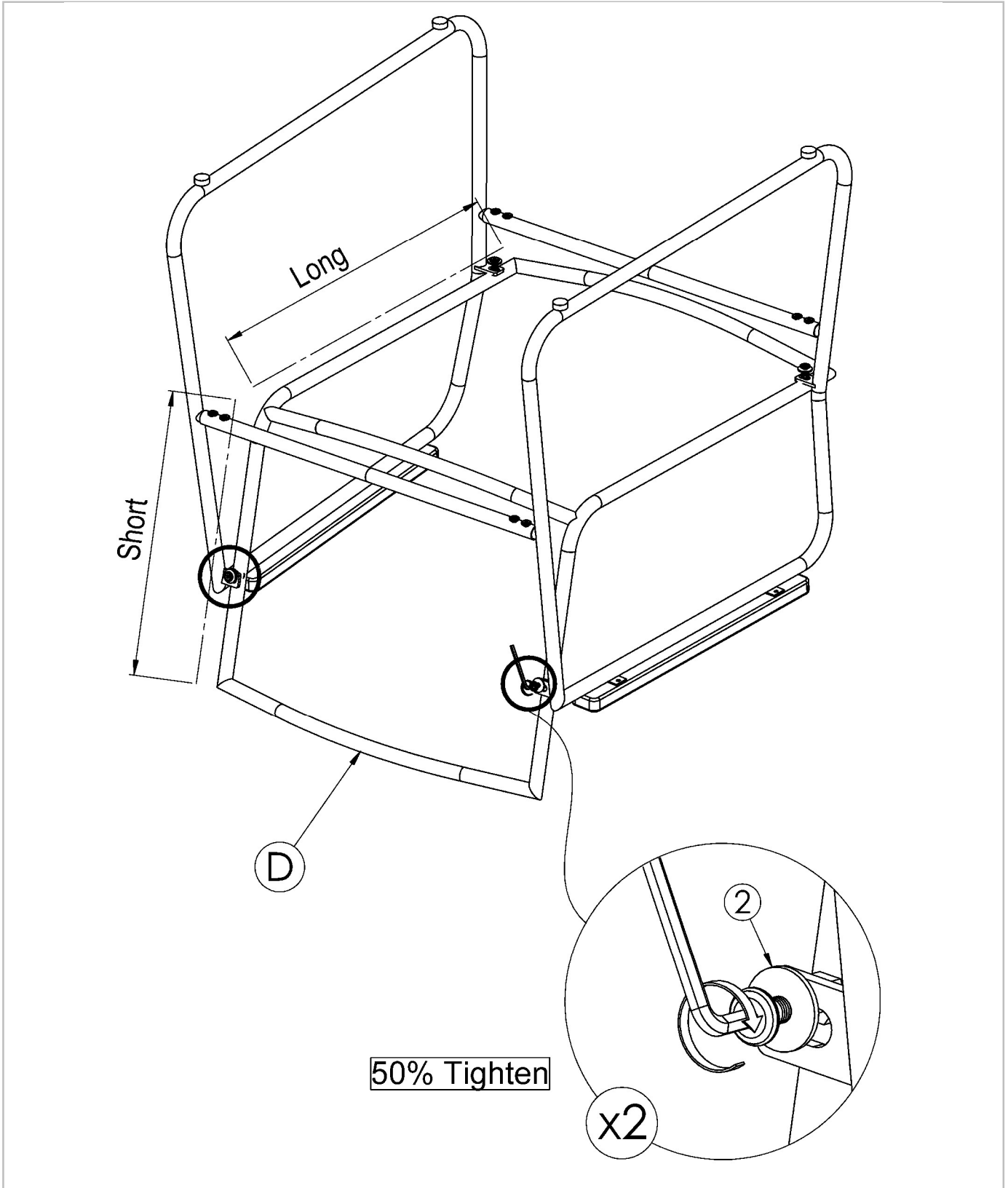
INSTRUCTION

Step 3



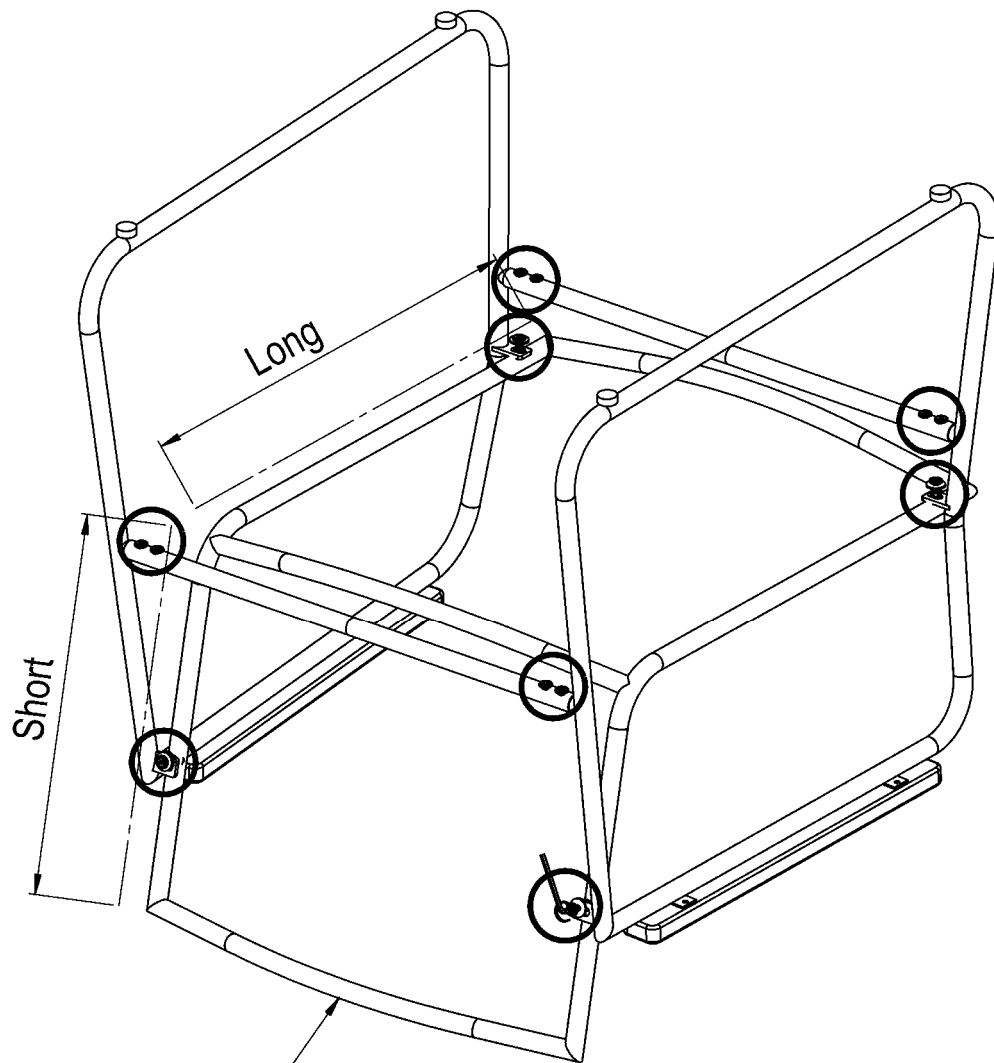
INSTRUCTION

Step 4

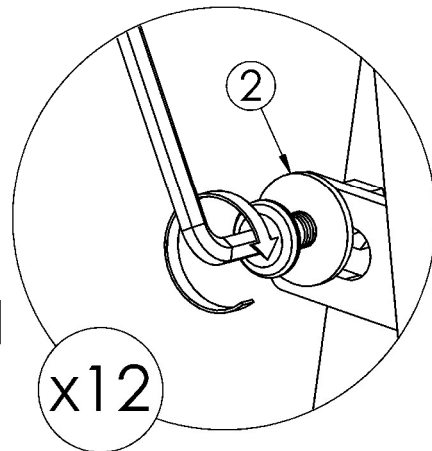


INSTRUCTION

Step 5



D



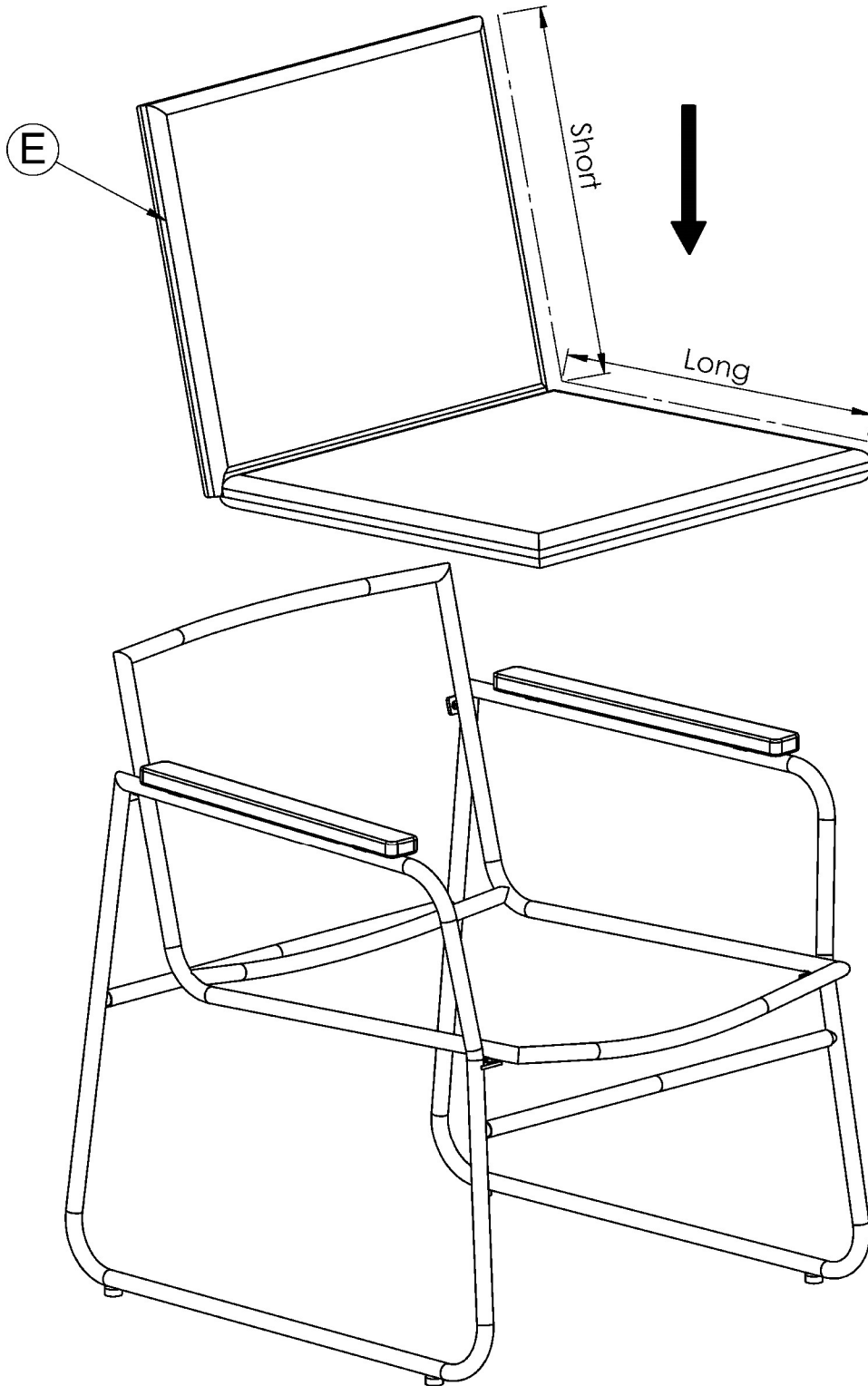
100% Tighten

x12



INSTRUCTION

Step 6





INSTRUCTION  
Max load

