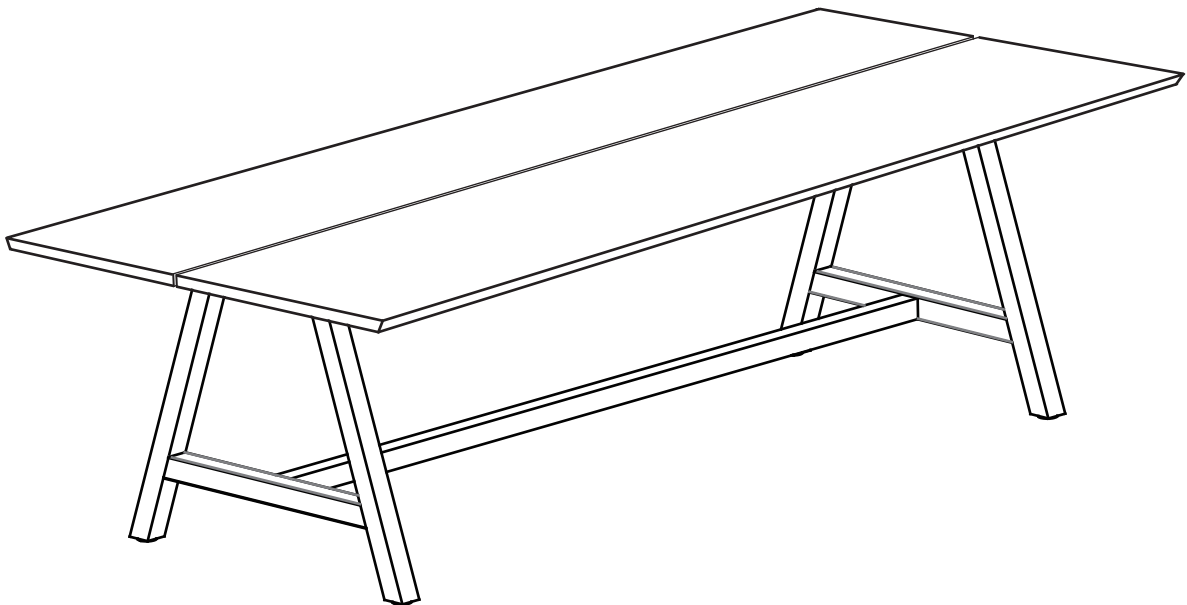


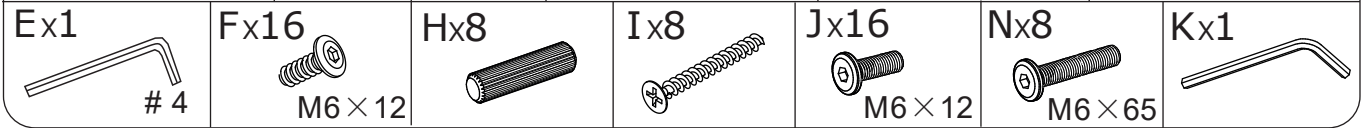
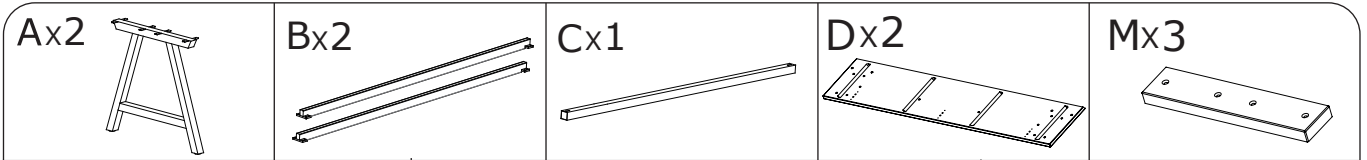
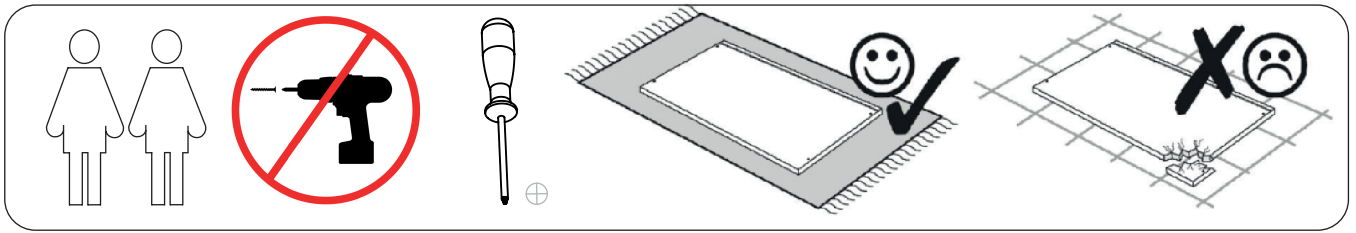
ASSEMBLY INSTRUCTION

CARRADALE DINING TABLE 170 RECTANGULAR WITH A-LEG

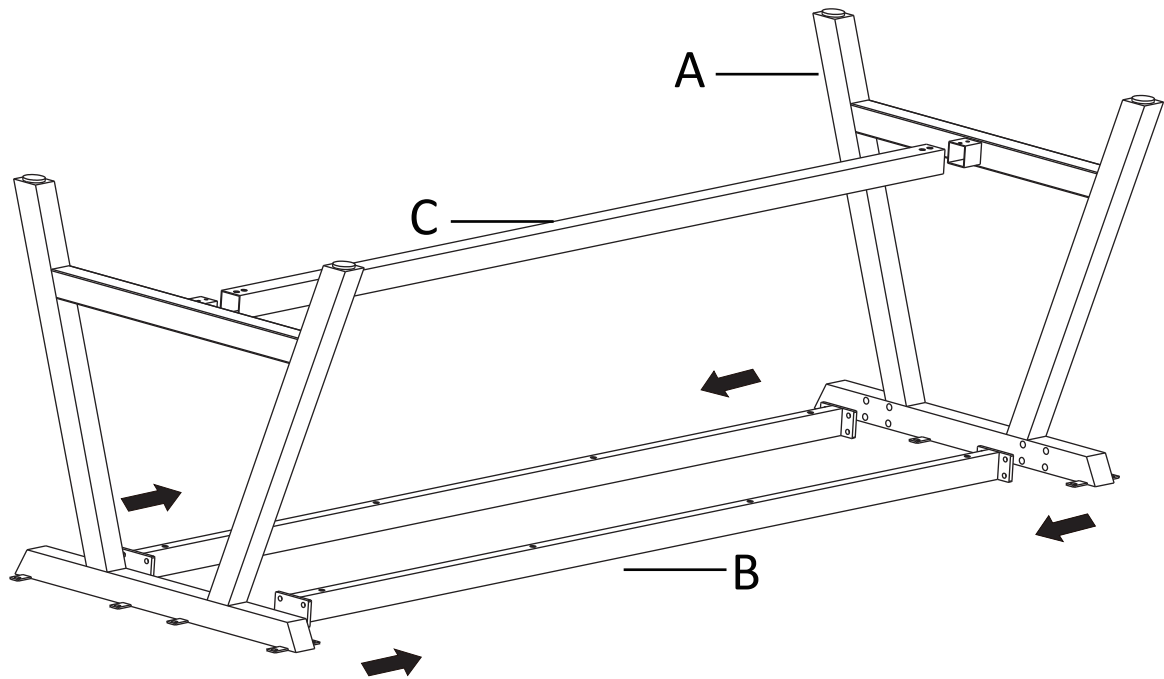


ROWICO

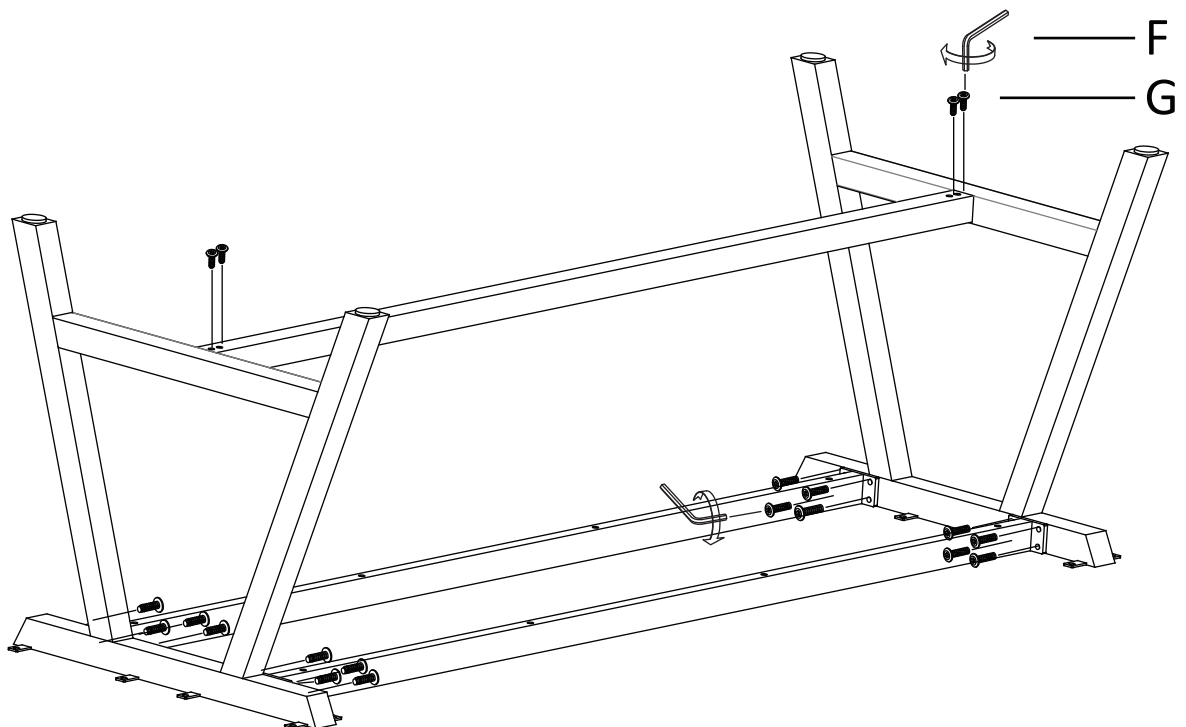
HOME



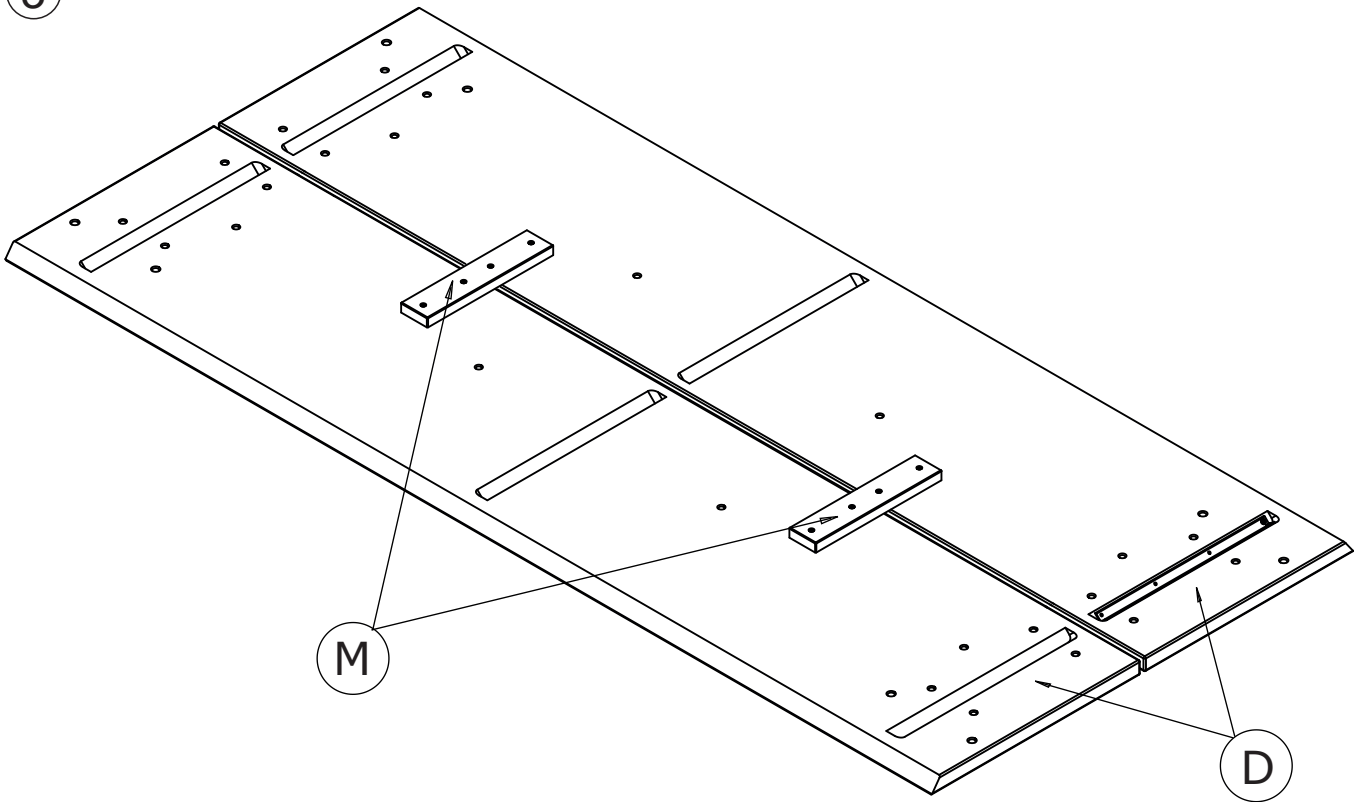
1



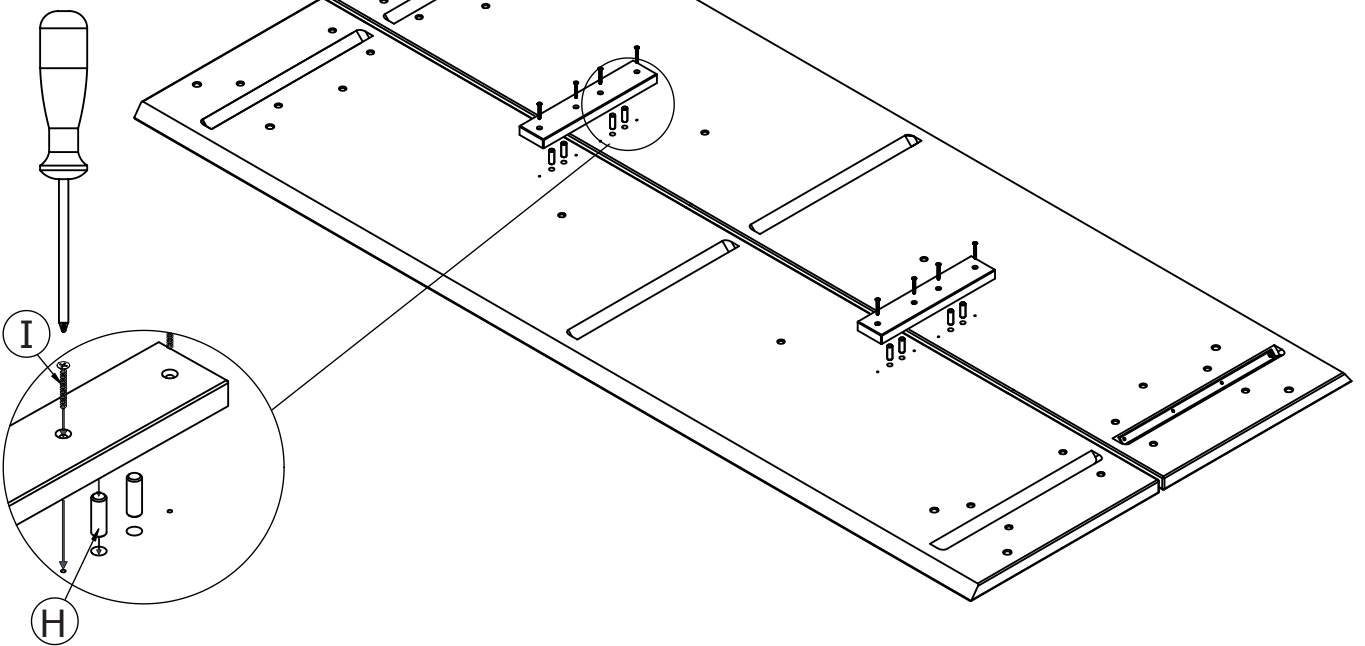
2



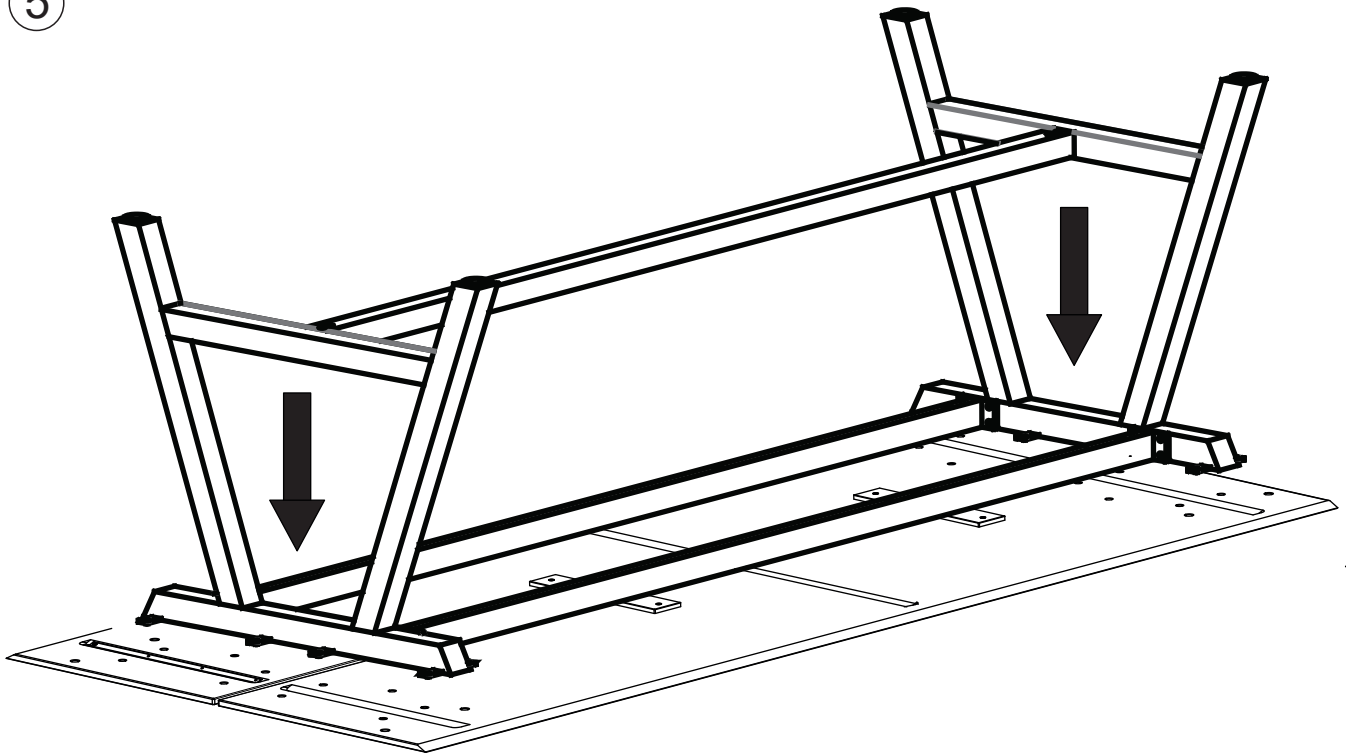
3



4



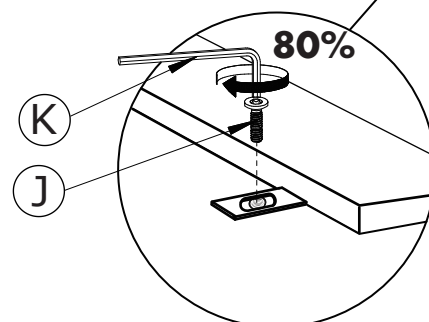
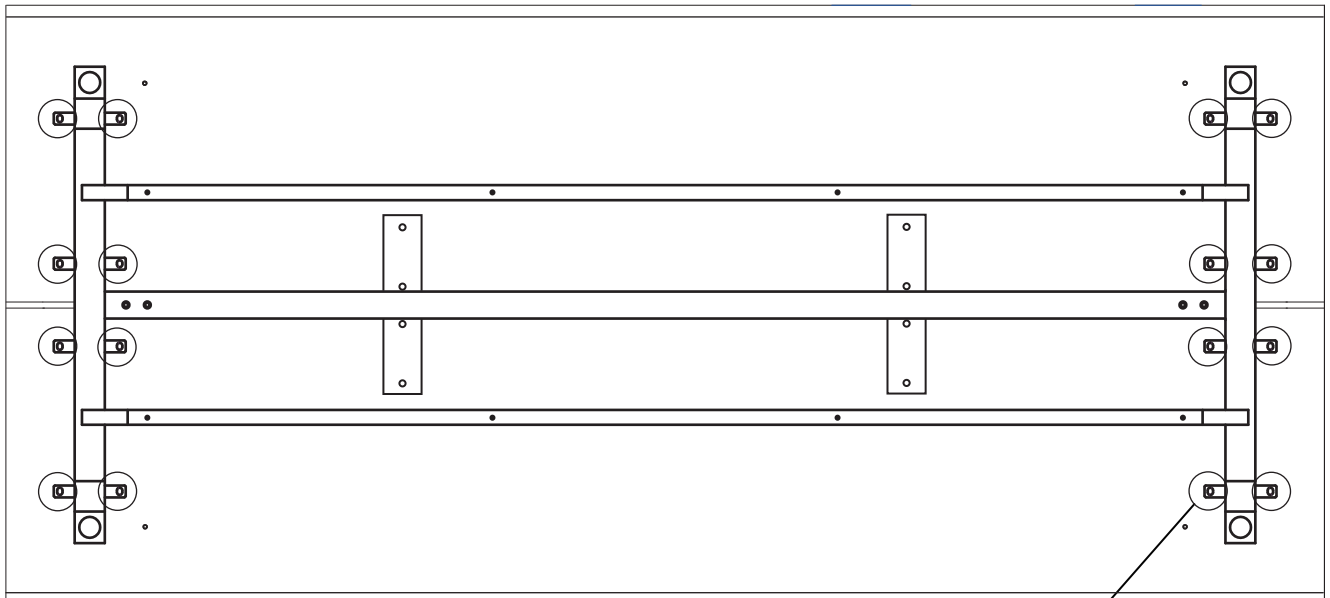
5



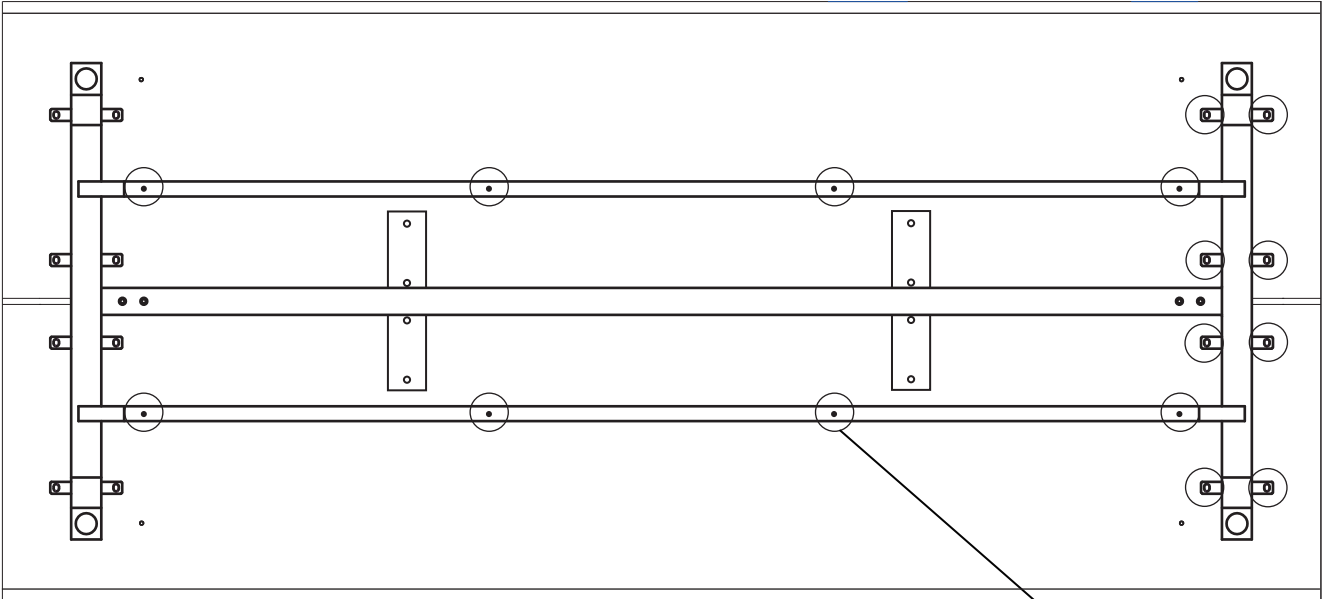
6




Dra inte åt skruvarna helt, förrän samtliga skruvar är monterade.
Do not tighten the screws completely, until all screws are assembled.

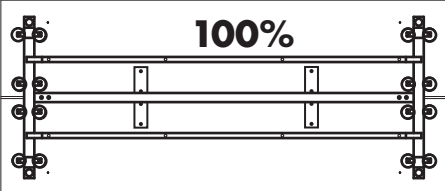


7

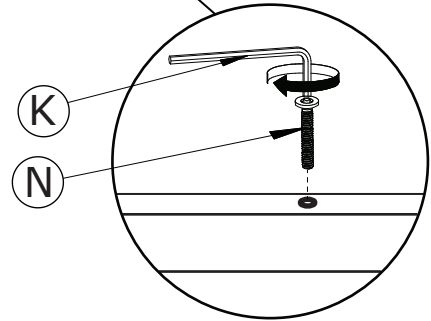


 Dra åt skruvarna helt.
Tighten the screws fully.

100%



A diagram of the table frame from step 7, with a '100%' label in the center, indicating that all screws should be tightened completely.



8

