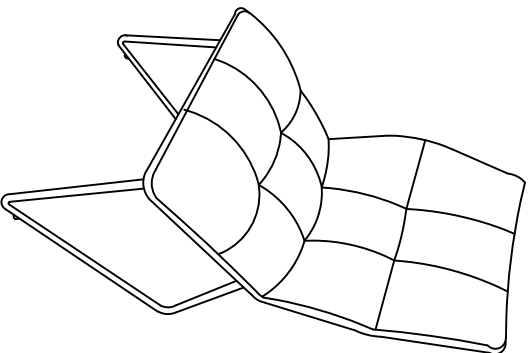


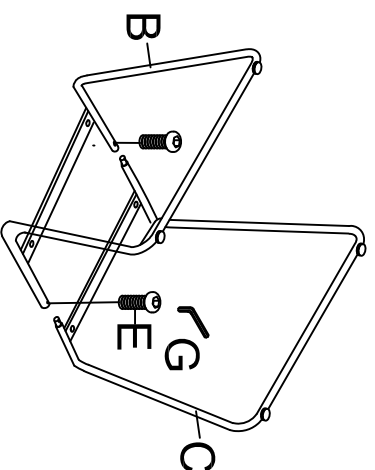
# ASSEMBLY INSTRUCTIONS



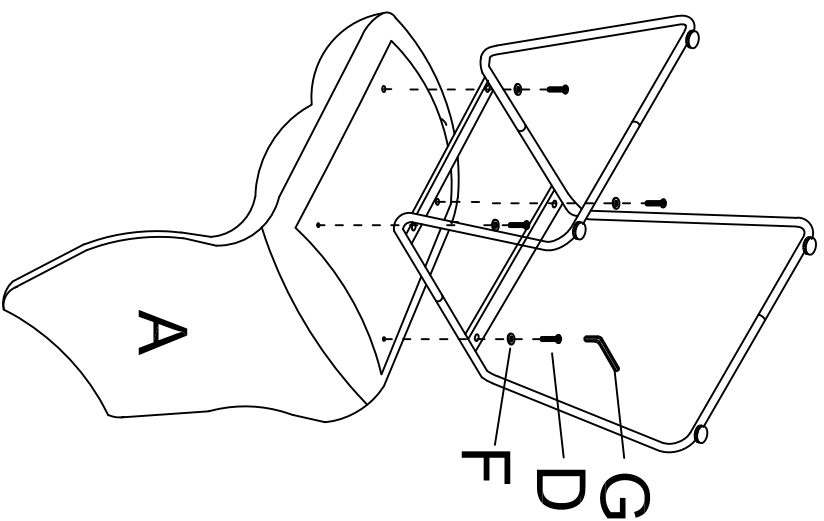
COMPONENTS :

Ax1	Bx1	Cx1	Dx4
Ex2	Fx4	Gx1	

①



②



③

