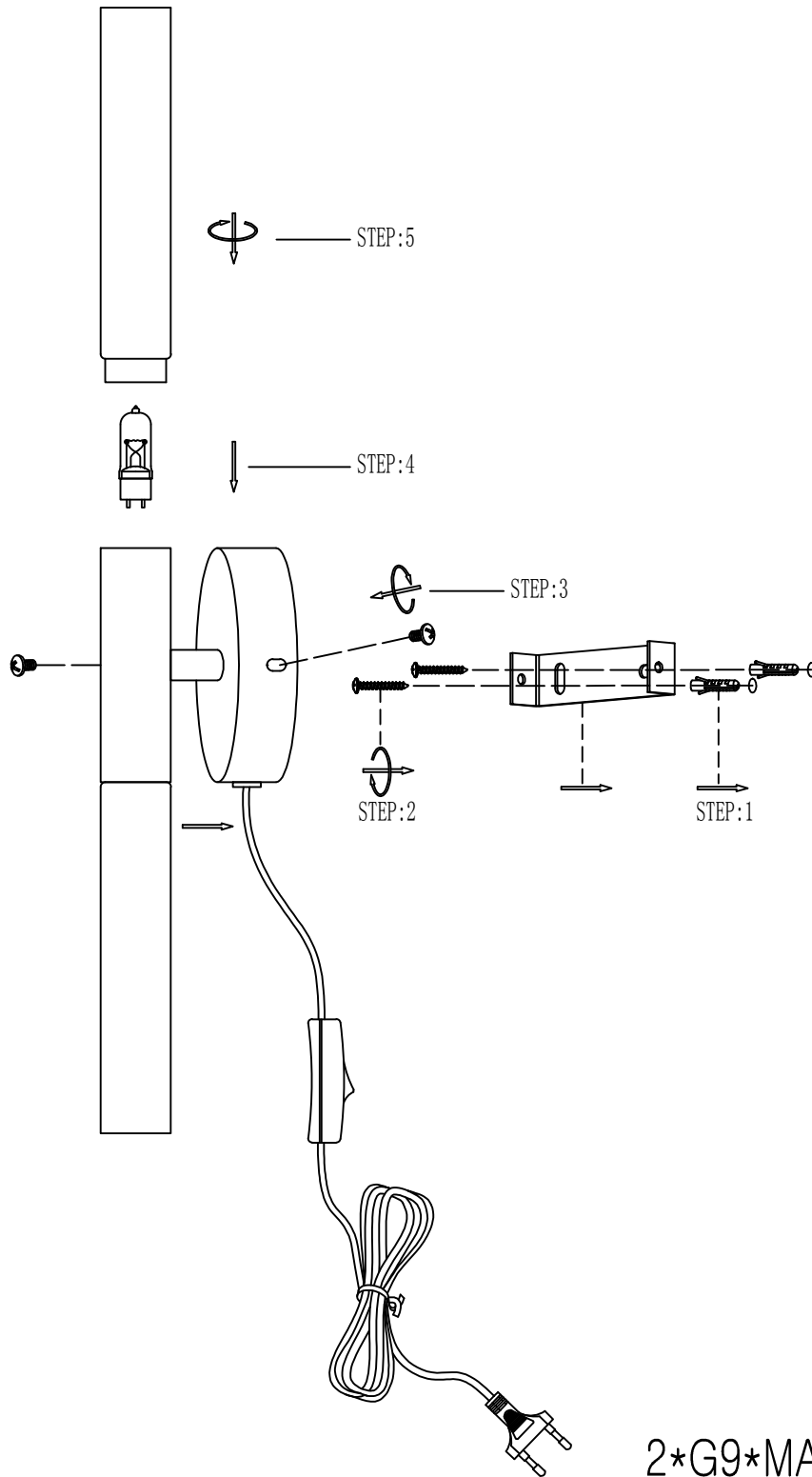


# Installing Instructions

ITEM NO.: 1741323-01-0



2\*G9\*MAX 25W  
Voltage:220-240V