

ASSEMBLY INSTRUCTION

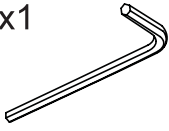
ITEM NO. - 1741592-01-0

Ax8



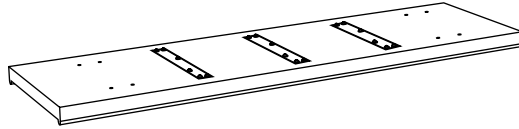
M8X20

Bx1

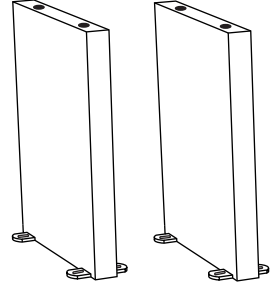


#5

P1 X 1



P2 X 2



Cx8



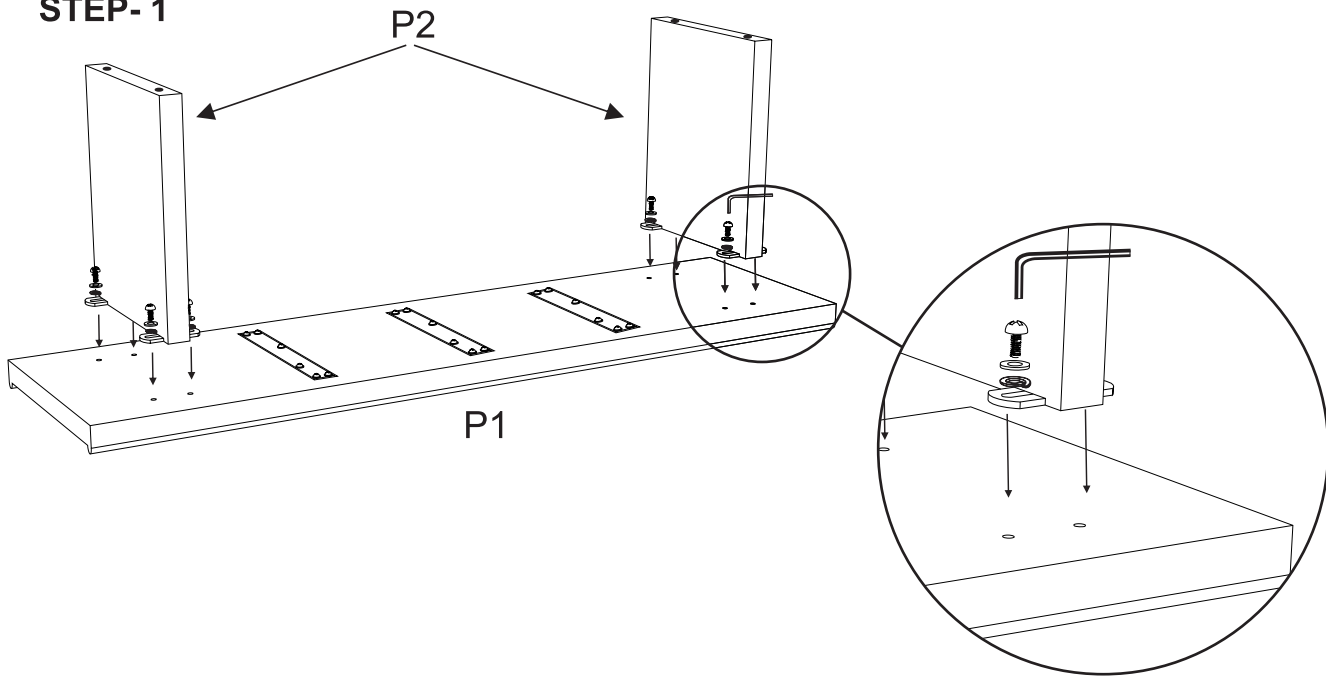
M8 ID (8)XOD(12)

Dx8

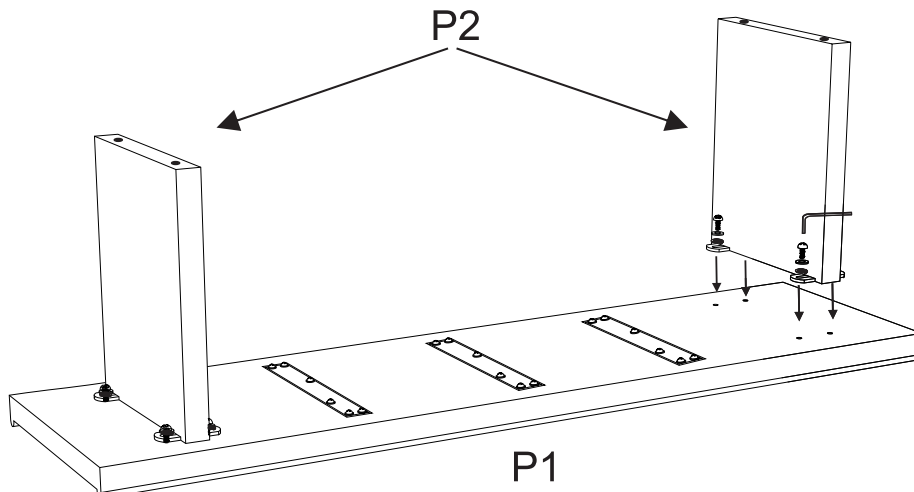


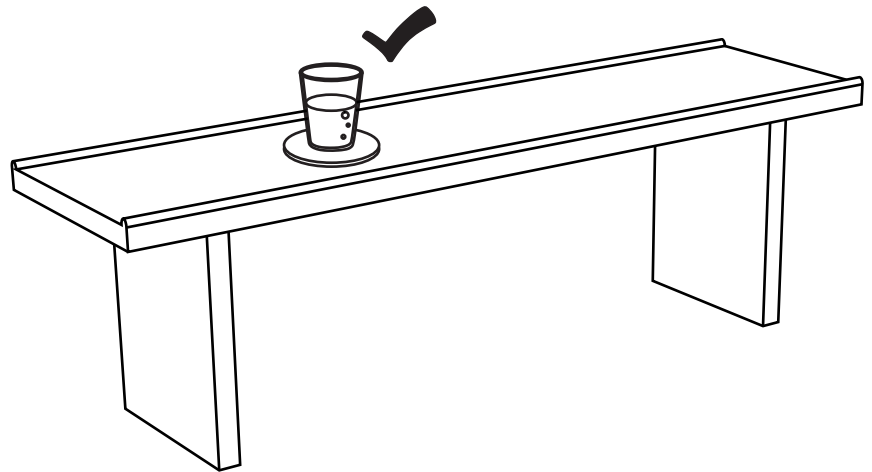
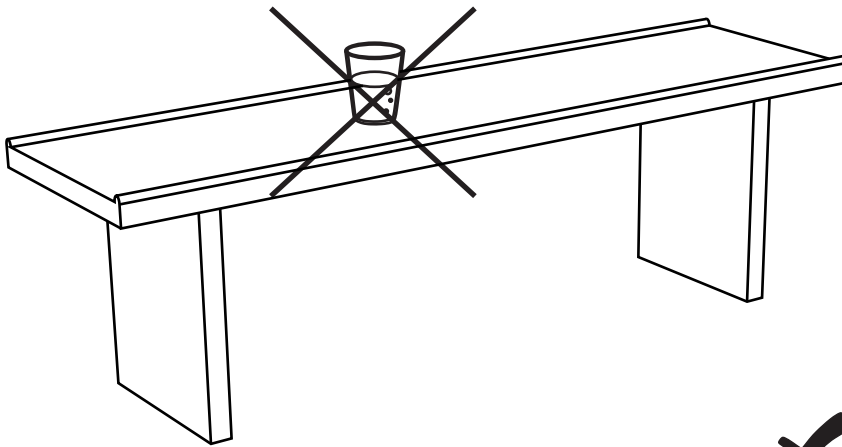
M8 ID (8)XOD(20)

STEP- 1



STEP- 2





ASSEMBLED

