

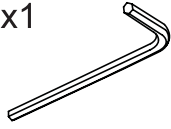
ASSEMBLY INSTRUCTION

ITEM NO. - 1741593-01-0

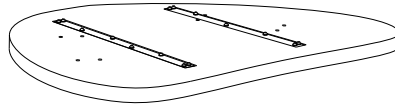
Ax16
M8X20



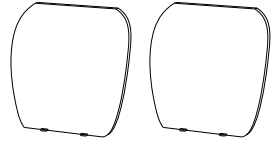
Bx1
#5



P1 X 1



P2 X 2



Cx16
M8 ID (8)XOD(12)



Dx16
M8 ID (8)XOD(20)



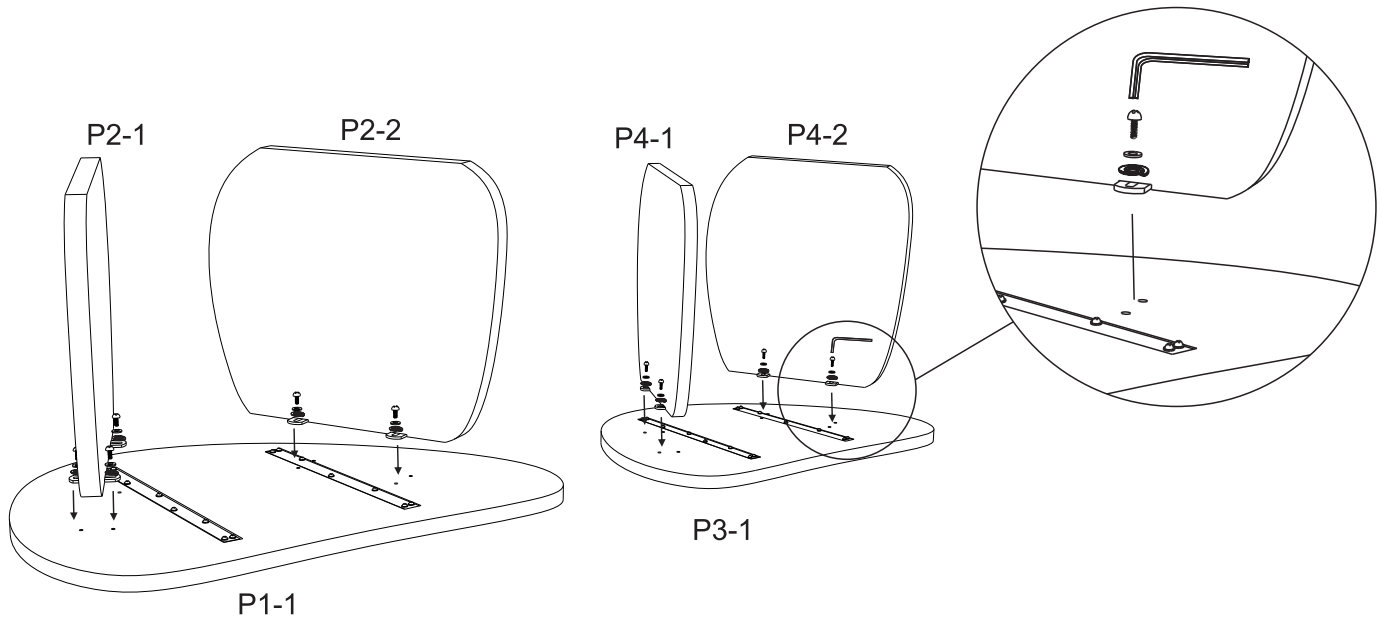
P3 X 1



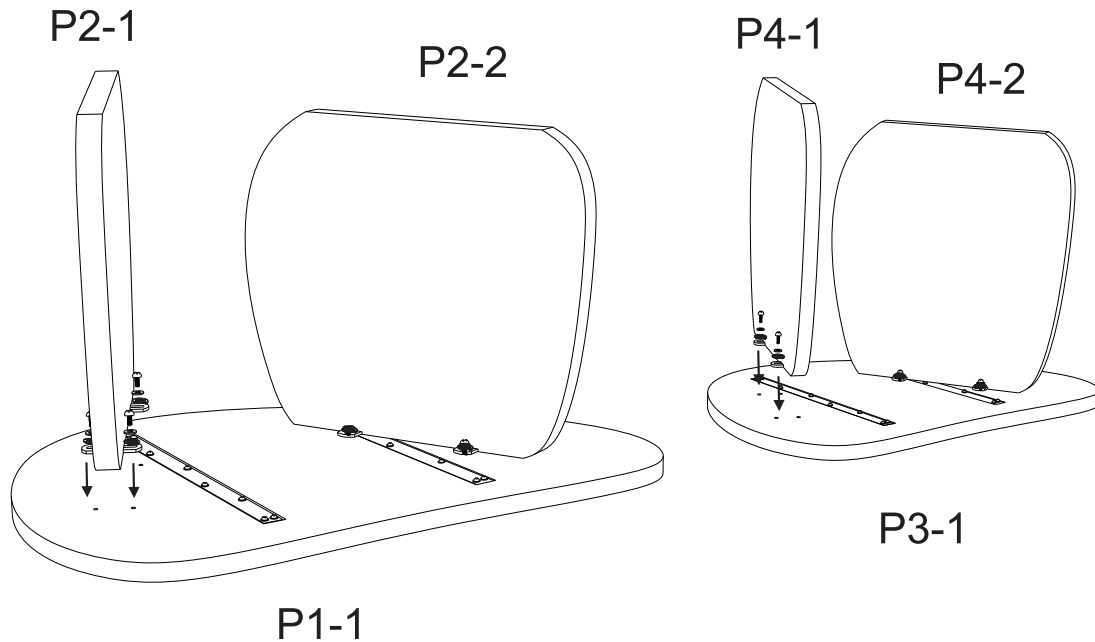
P4 X 2

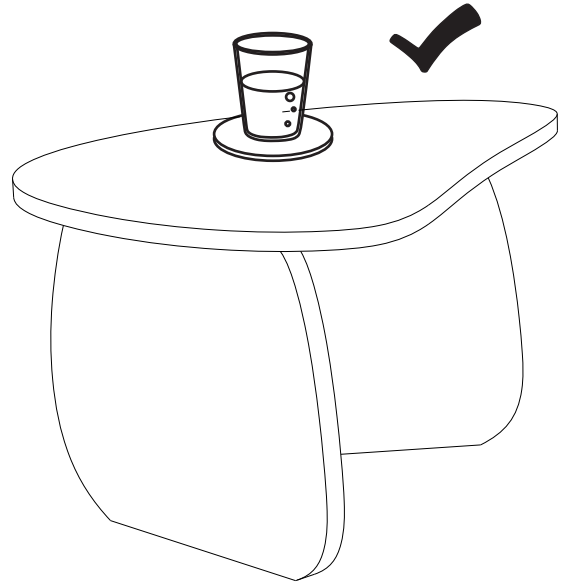
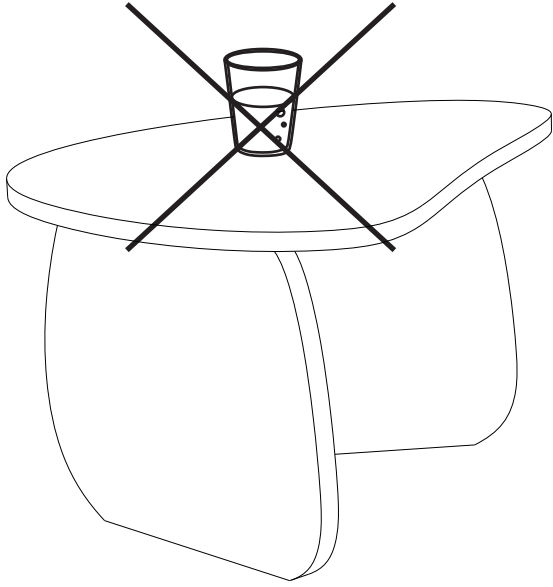


STEP- 1



STEP- 2





ASSEMBLED

