

# ASSEMBLY INSTRUCTIONS

ITEM NO. - 1741600-01-0

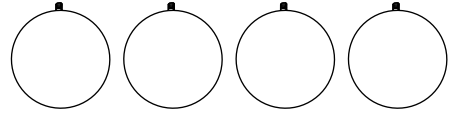
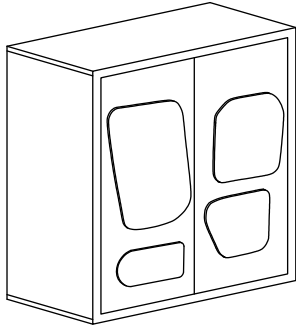
## PARTS LIST

P1

x1

P2

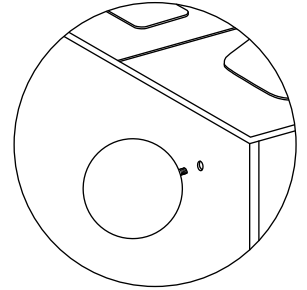
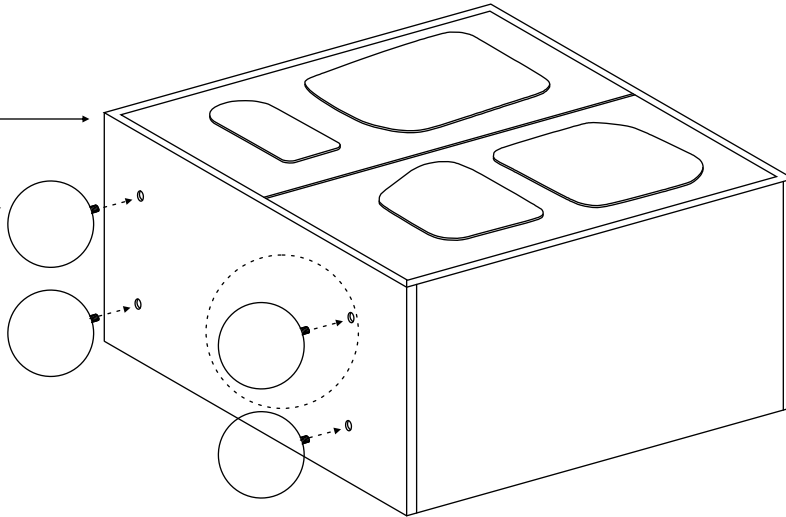
x4



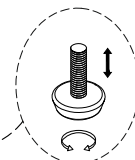
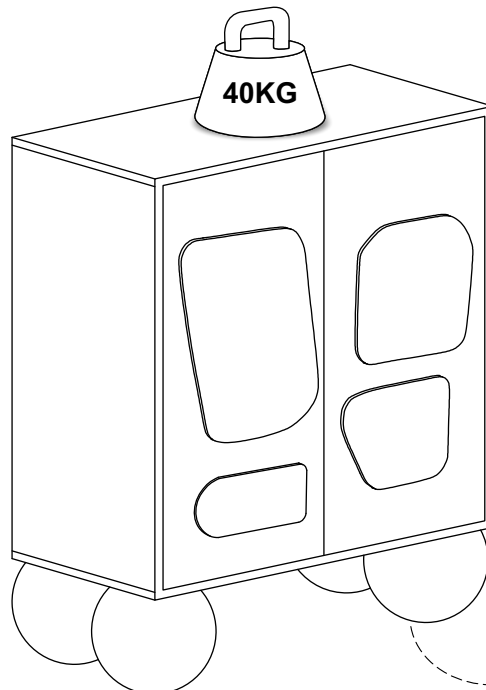
### STEP-1

P1

P2



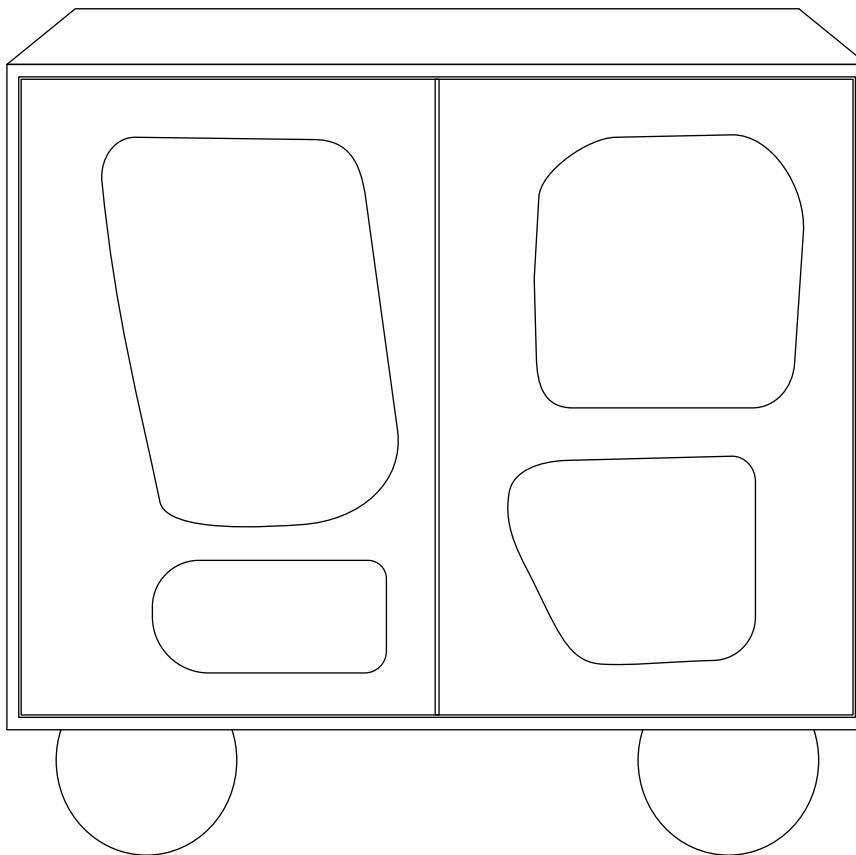
### LOADABILITY



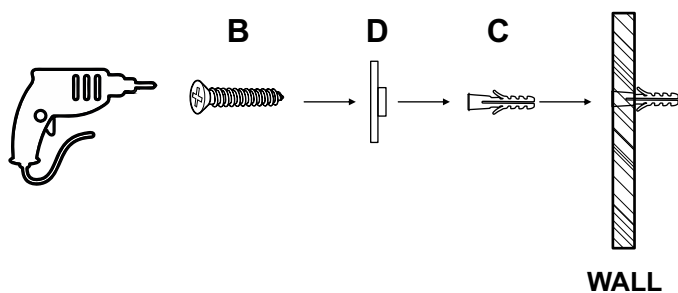
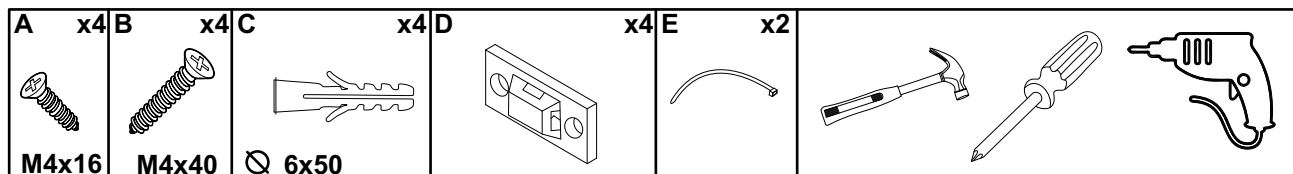
# ANTI TIP ASSEMBLY INSTRUCTIONS

ITEM NO. - 1741600-01-0

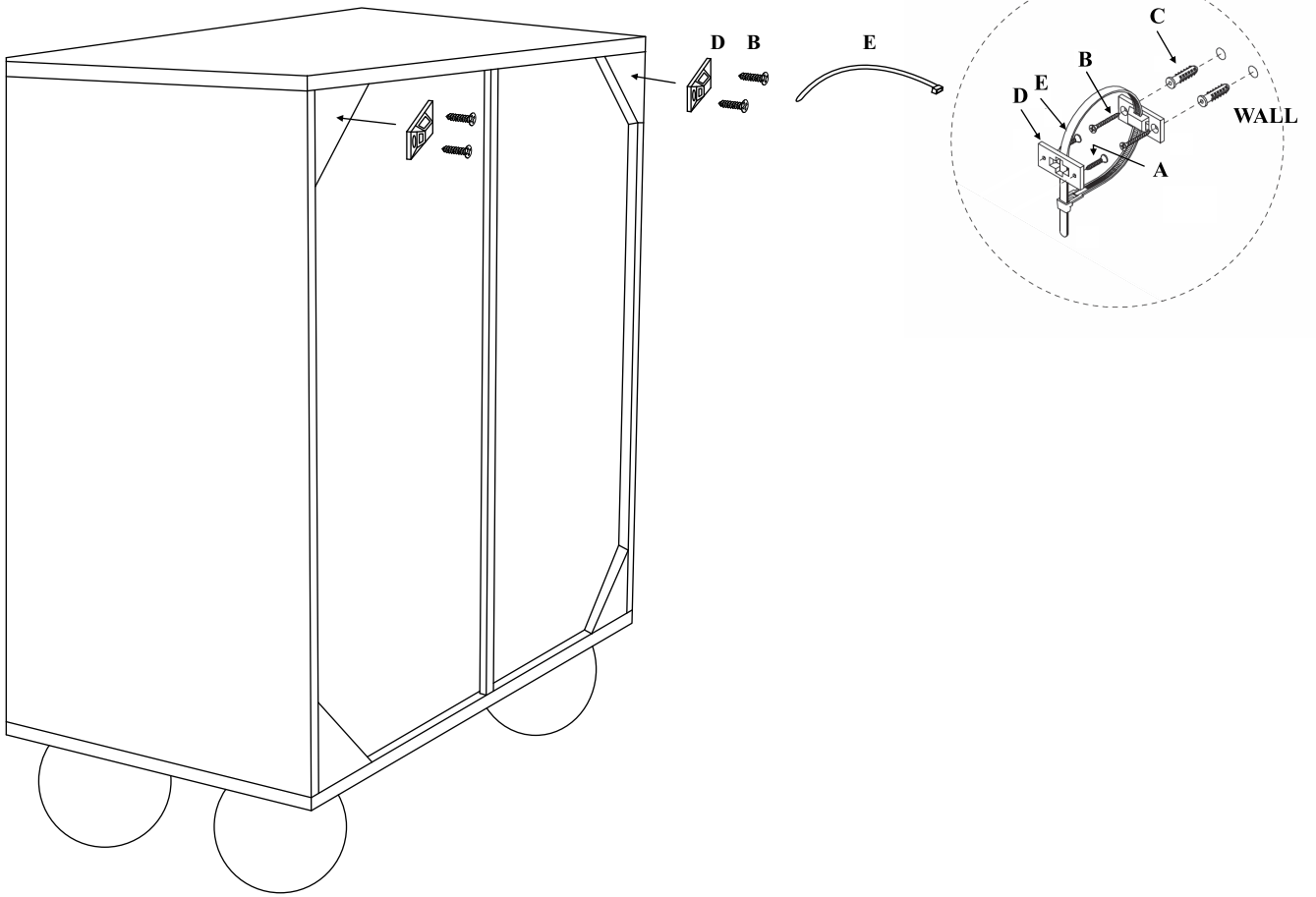
1.



2.



3.



4.

