
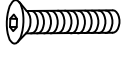


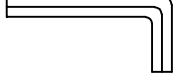

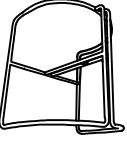
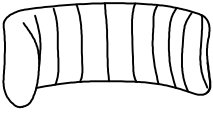

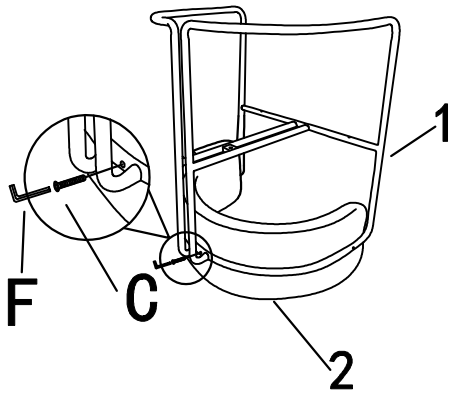


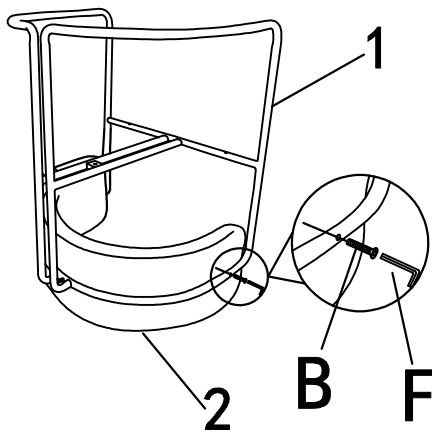
<p><b>A</b></p>  <p>(M6x40)</p> <p>x3</p>	<p><b>B</b></p>  <p>(M6x30)</p> <p>x2</p>	<p><b>C</b></p>  <p>(M6x35)</p> <p>x1</p>	<p><b>D</b></p>  <p>x3</p>	<p><b>E</b></p>  <p>x1</p>	<p><b>F</b></p>  <p>x1</p>
<p><b>1</b></p>  <p>x1</p>	<p><b>2</b></p>  <p>x1</p>	<p><b>3</b></p>  <p>x1</p>			

**Step:1**



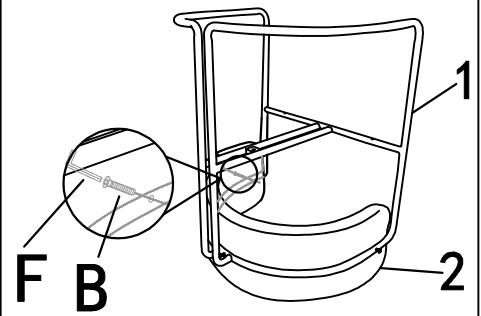
Tighten the screw 60%-70%.

**Step:2**



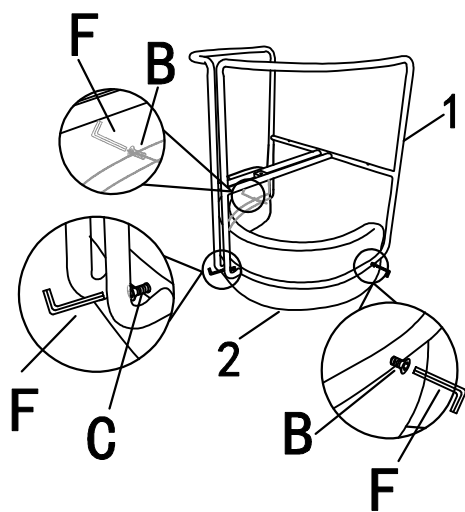
Tighten the screw 60%-70%.

**Step:3**



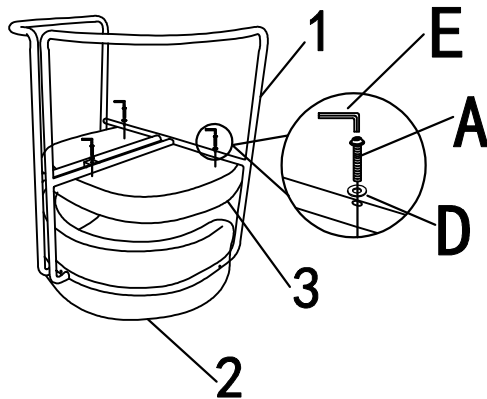
Tighten the screw 60%-70%.

**Step:4**



1. Middle tighten the screw 100%.
2. Both sides of tighten the screw 100%.

**Step:5**



Tighten the screw 100%.

**Finish**

