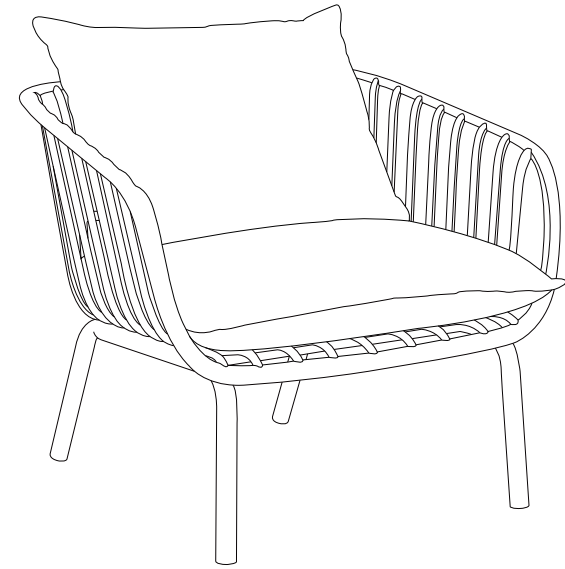
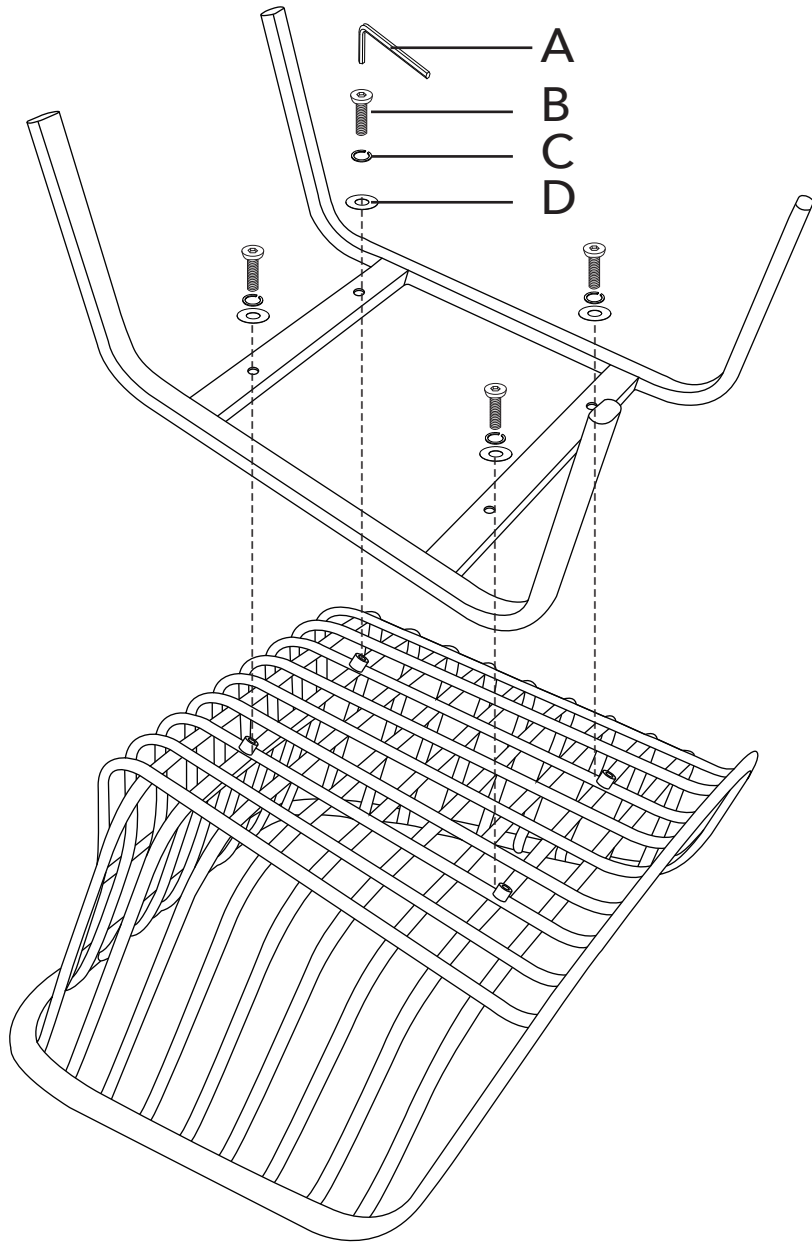
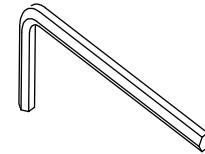


# ASSEMBLY INSTRUCTION

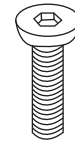


**A**



**X1**

**B**



**X4**

**C**



**X4**

**D**



**X4**