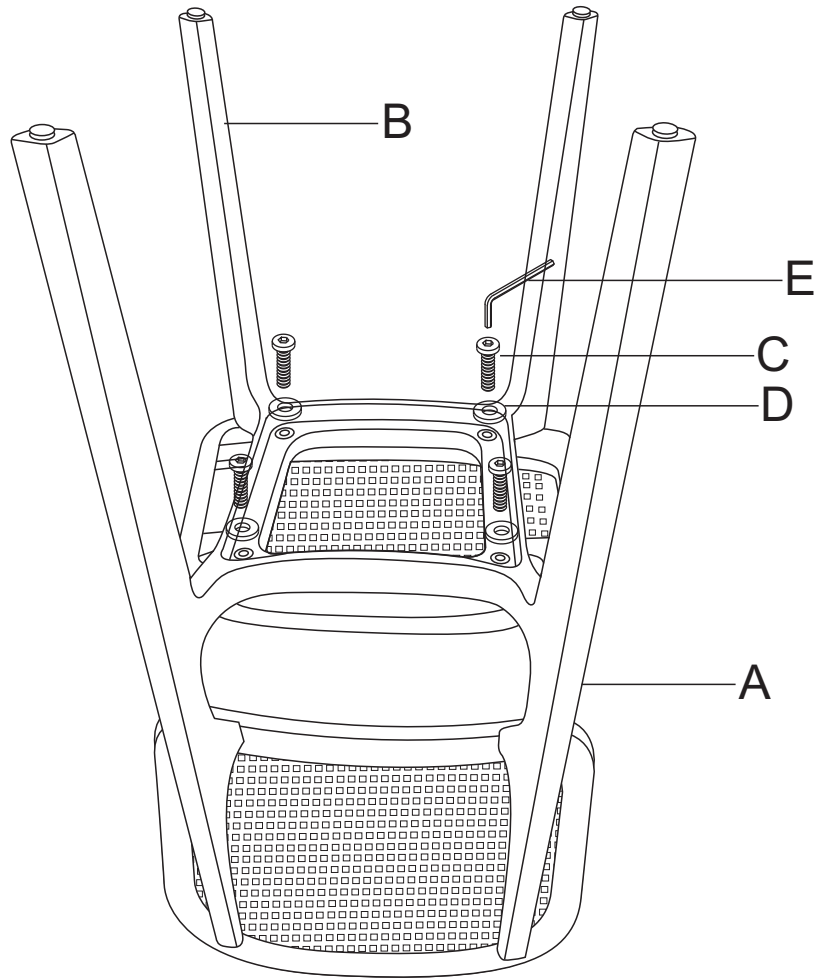
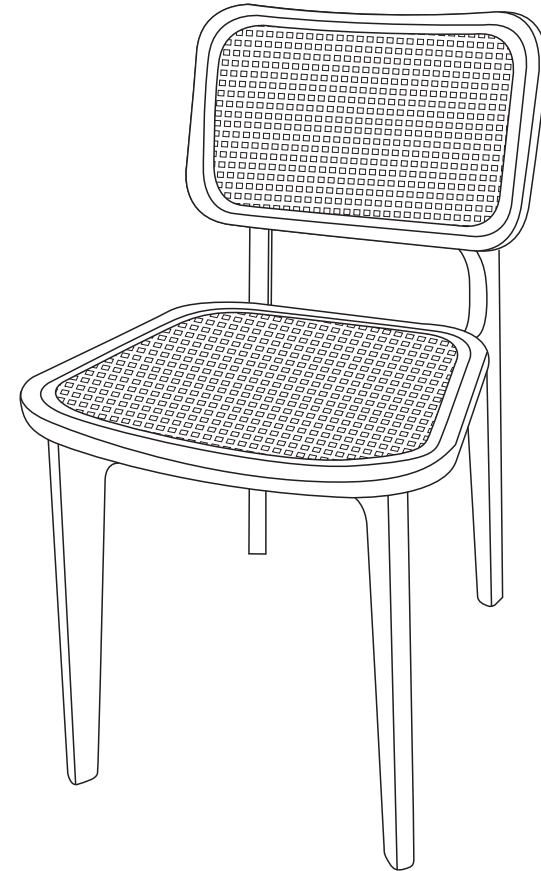


ASSEMBLY INSTRUCTION

1



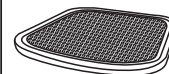
2



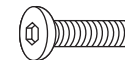
Ax1



Bx1



Cx4



Dx4



Ex1

