
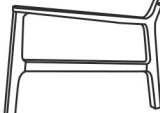
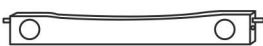
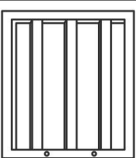
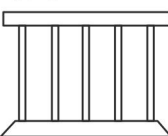




Assembly Instructions










Your chair comes packaged in one box. Carefully remove all of components from the packaging and set aside for assembly.

CAUTION:
DO NOT use any sharp objects to open plastic wrapped components as damage to product or components may result.

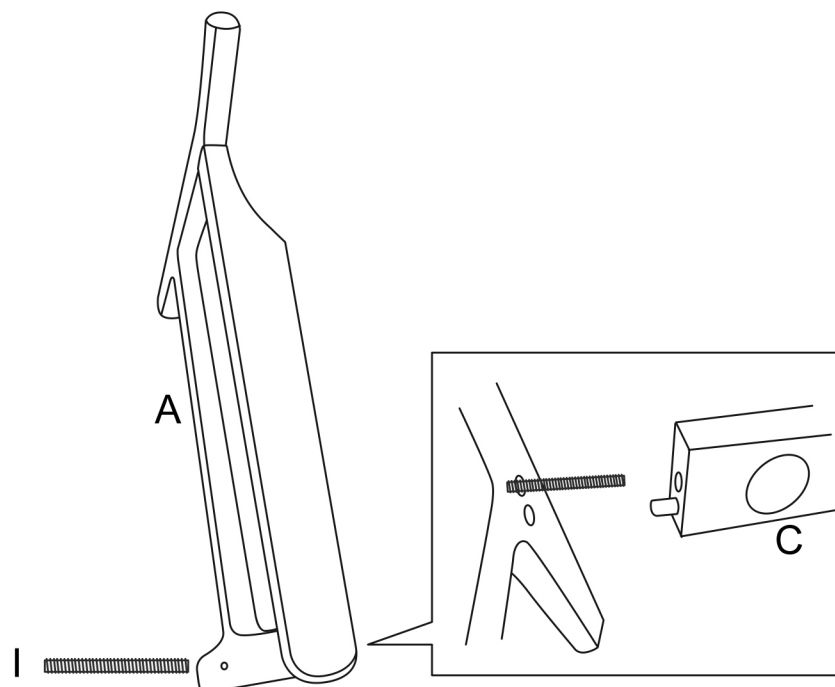
Package Contents

Ax1 	Bx1 	Cx1 	Dx1 
Ex1 	Fx1 	Gx1 	

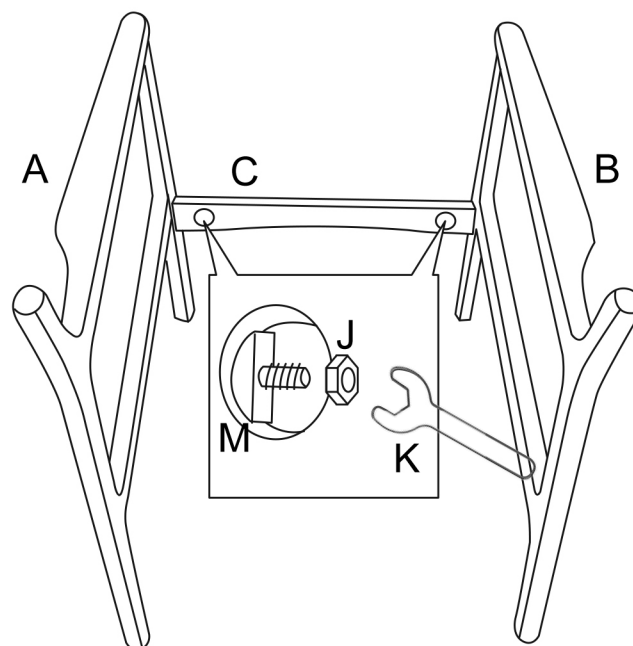
Package Contents

Hx8 	Ix2 	Jx2 	Kx1 
M8*40	M8*80		
Lx1 	Mx2 	Nx4 	Ox2 
M5			
Px8 			
8*22*2			

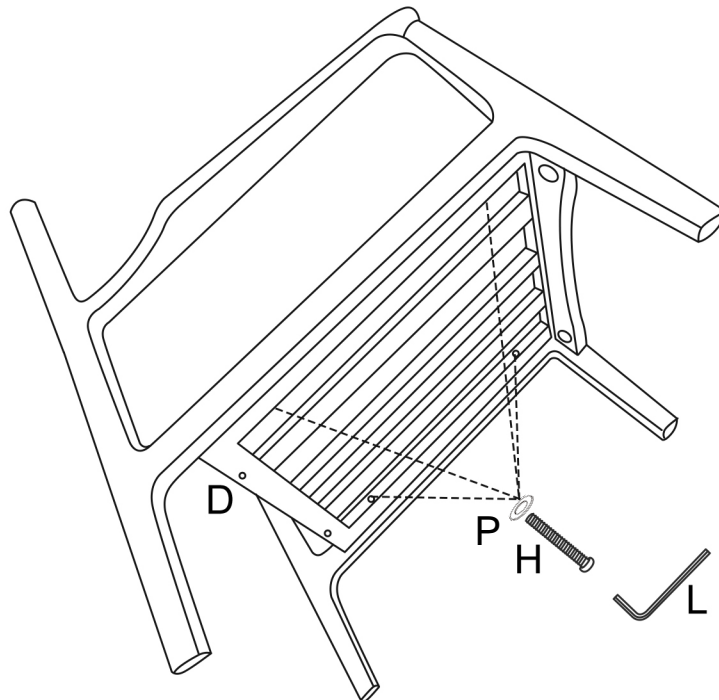
Step 1.



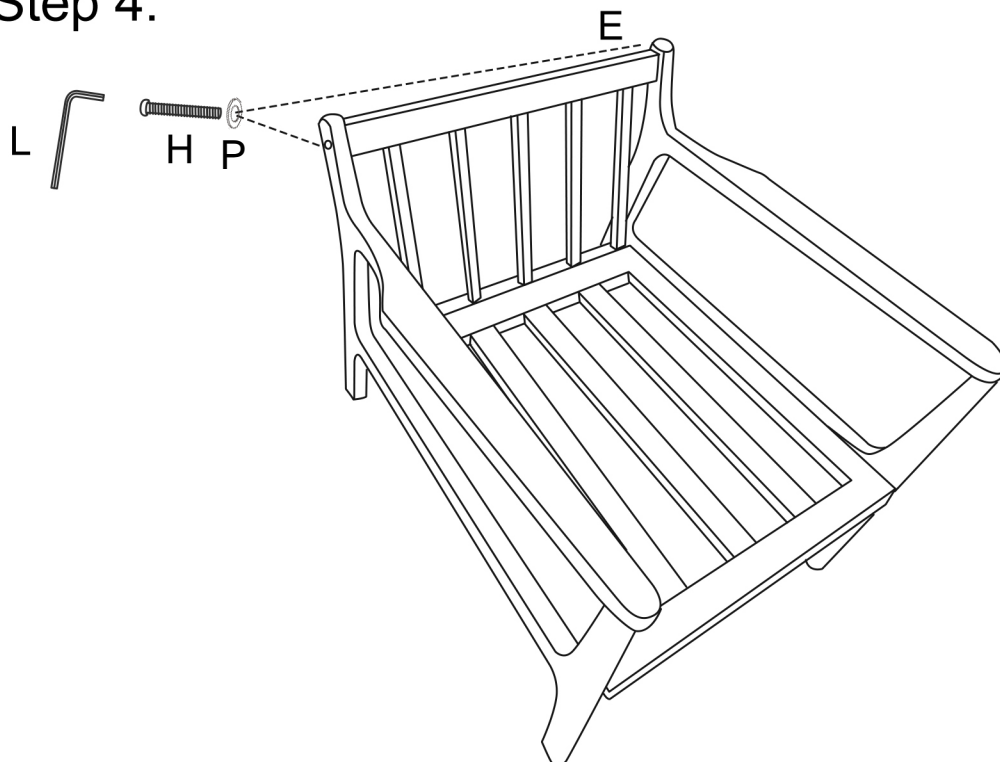
Step 2 .



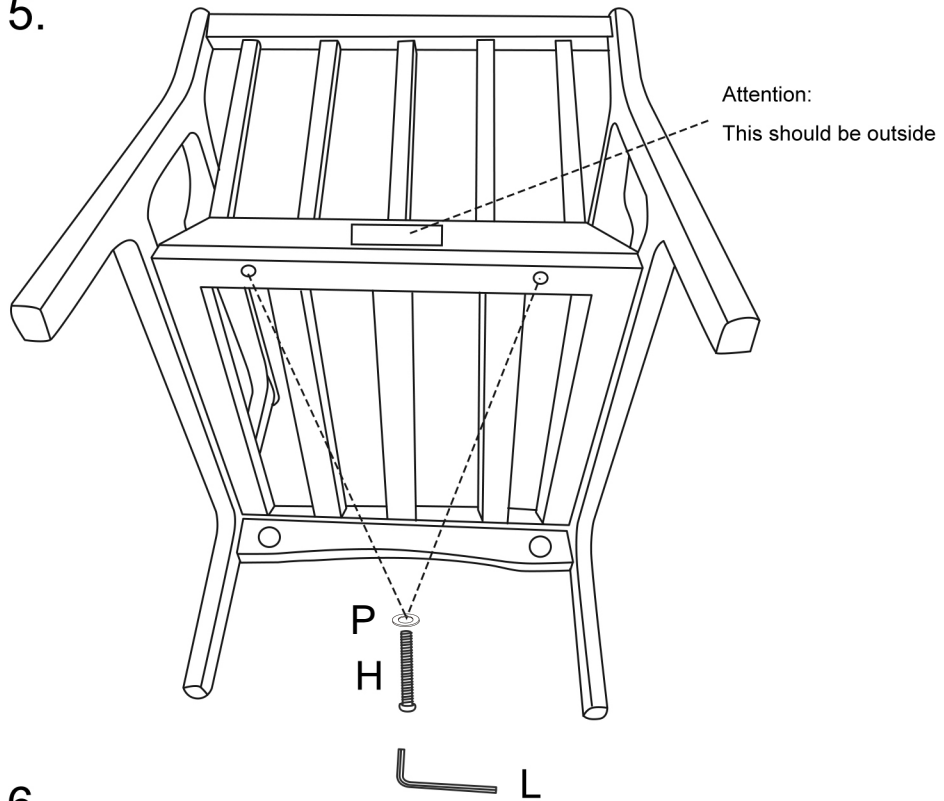
Step 3.



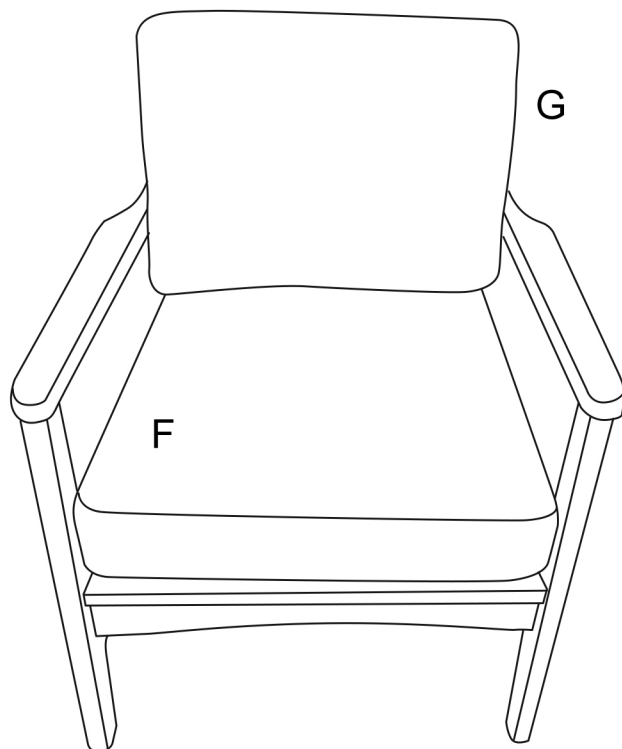
Step 4.



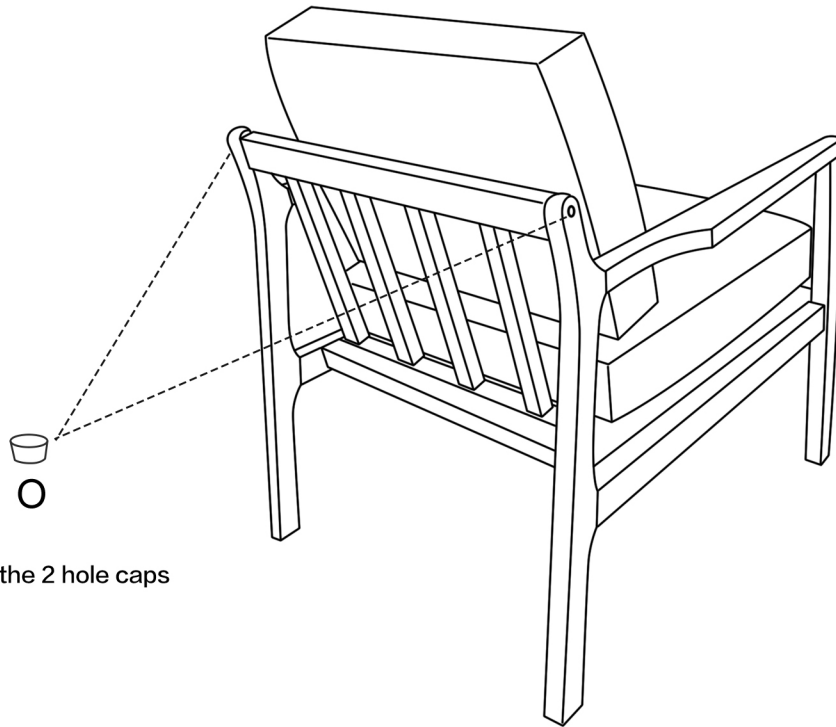
Step 5.



Step 6.

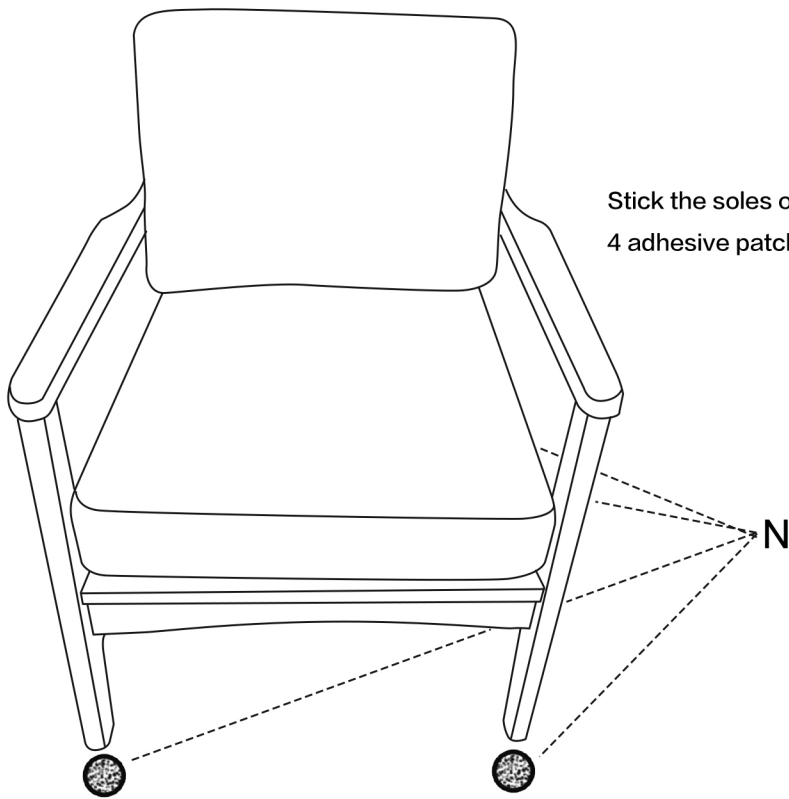


Step 7.



Install the 2 hole caps

Step 8.



Stick the soles of your feet with
4 adhesive patches