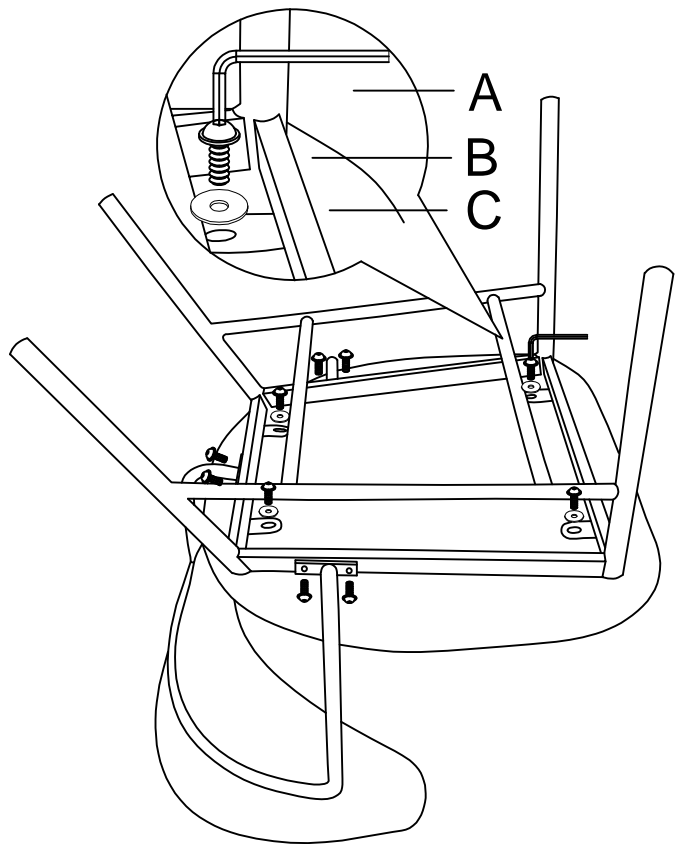
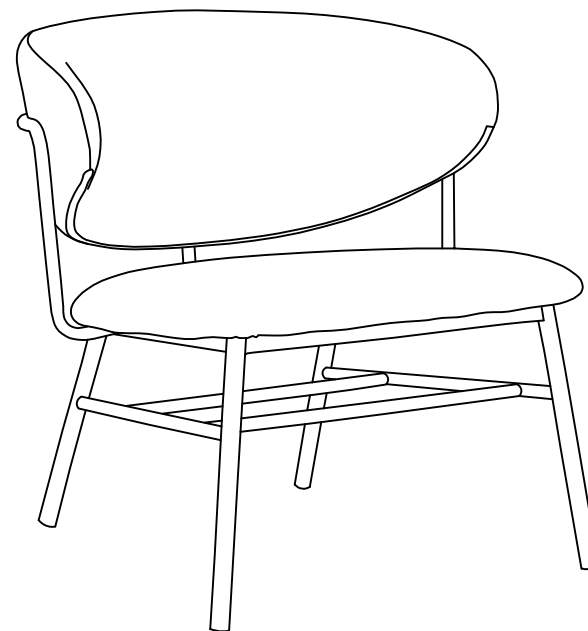


ASSEMBLY INSTRUCTIONS

1



2



Ax1



M5

Bx10



M6x18

Cx4

