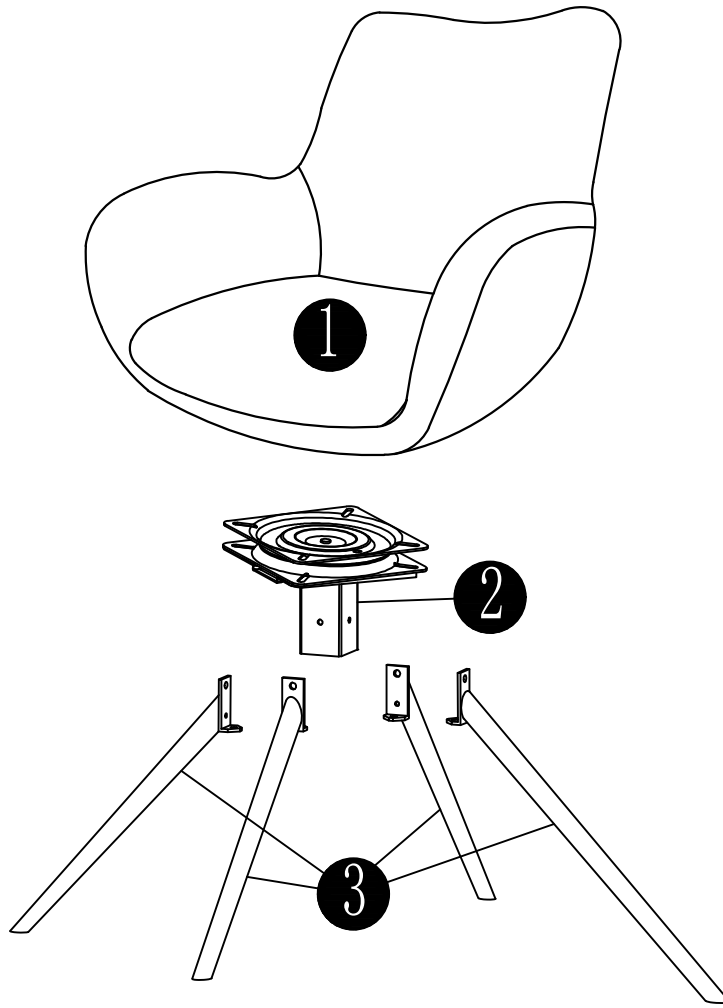




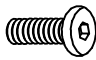


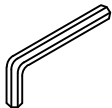


ASSEMBLY INSTRUCTION



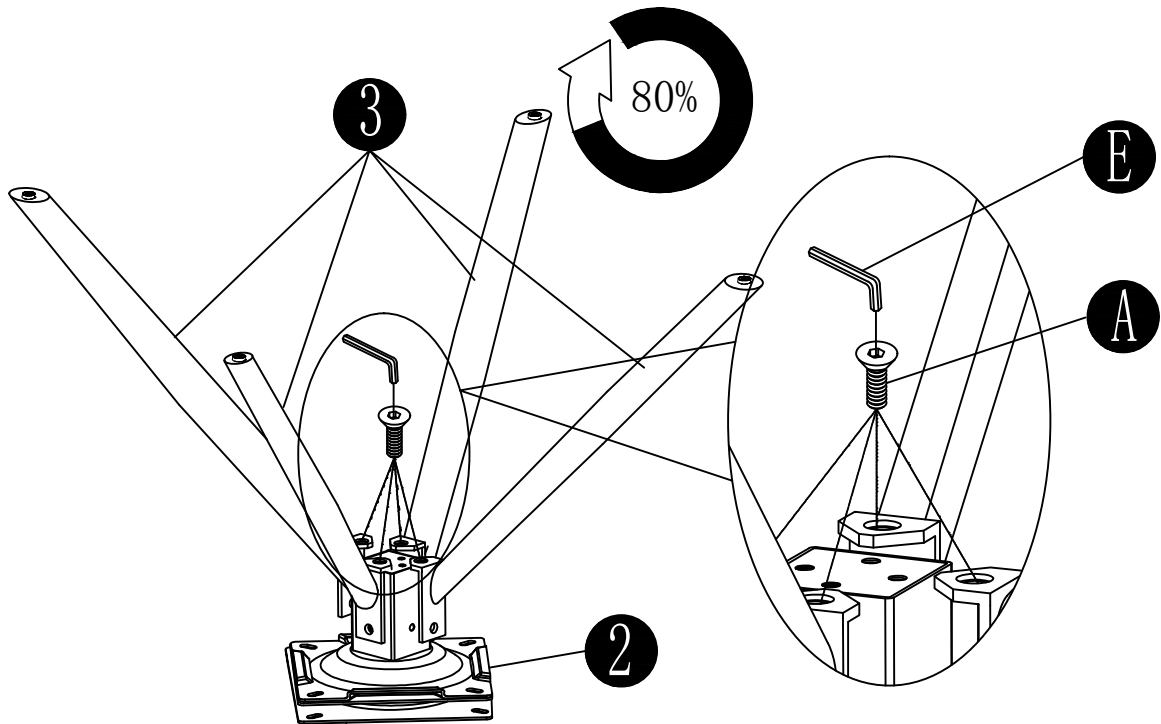
COMPONENT



1	×1	2	×1	3	×4				
									
A	×4	B	×6	C	×2	D	×8	E	×1
									
M6×12MM		M6×16MM		M6×25MM		φ 16		4#	

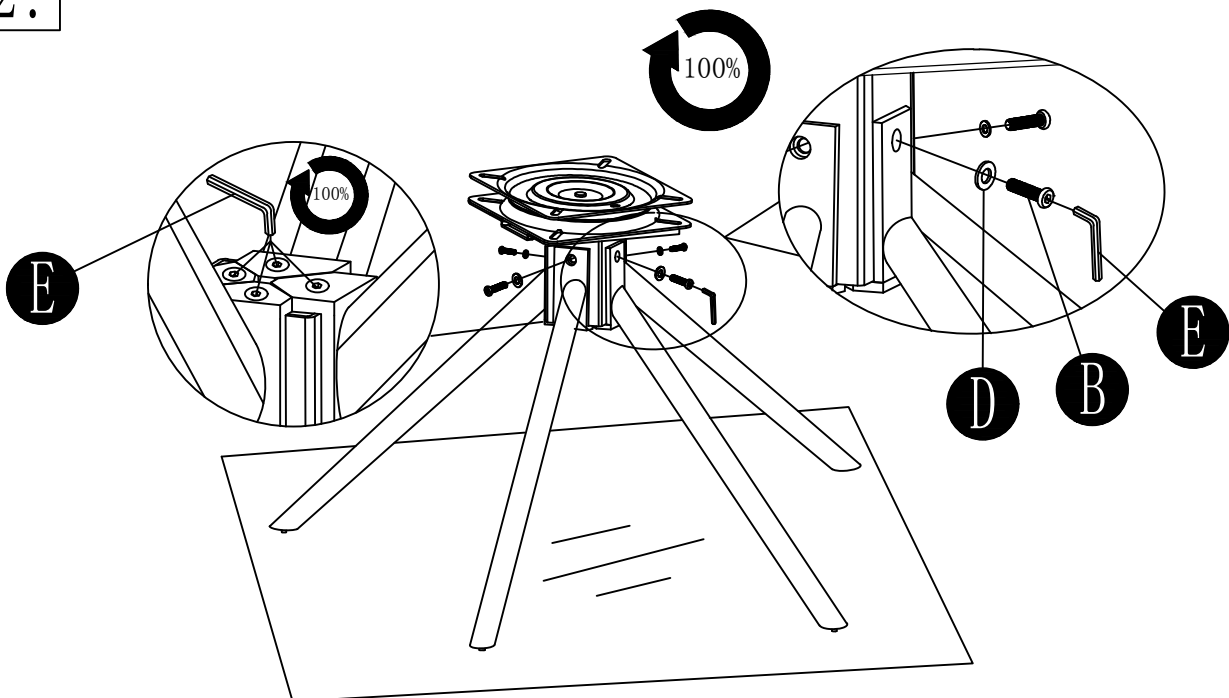
ASSEMBLY STEP

1.



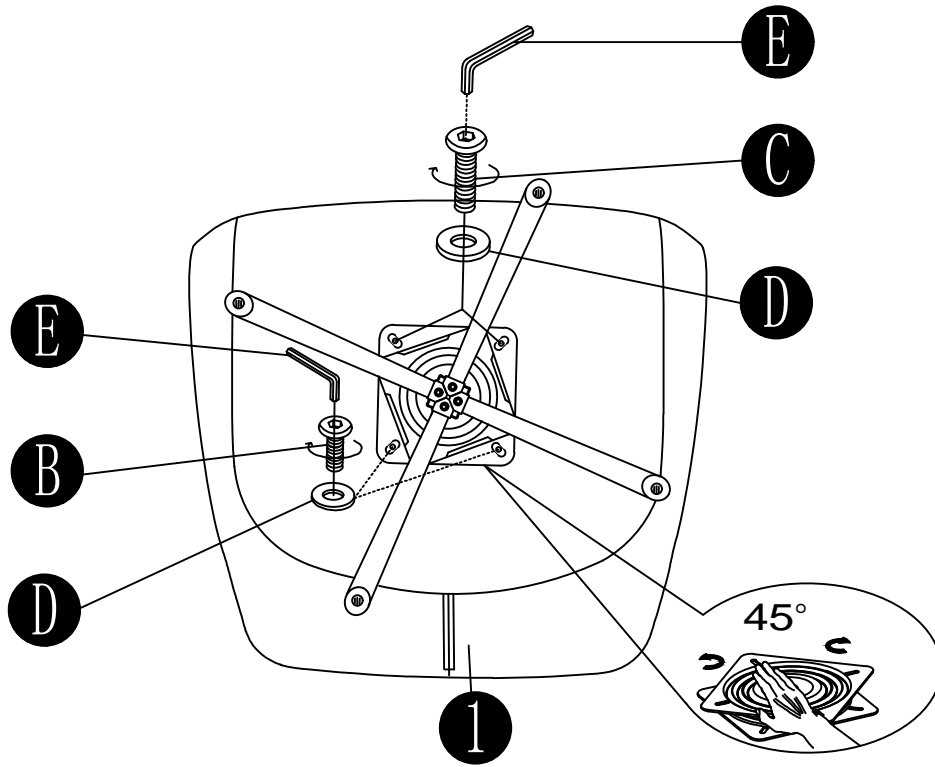
2	×1	3	×4	A	×4	E	×1
				M6 × 12MM		4#	


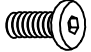



2.



B	×4	D	×4	E	×1
M6 × 16MM		φ 16		4#	

3.



1	×1	B	×2	C	×2	D	×4	E	×1
									
		M6 × 16MM		M6 × 25MM		φ 16		4#	

4.

