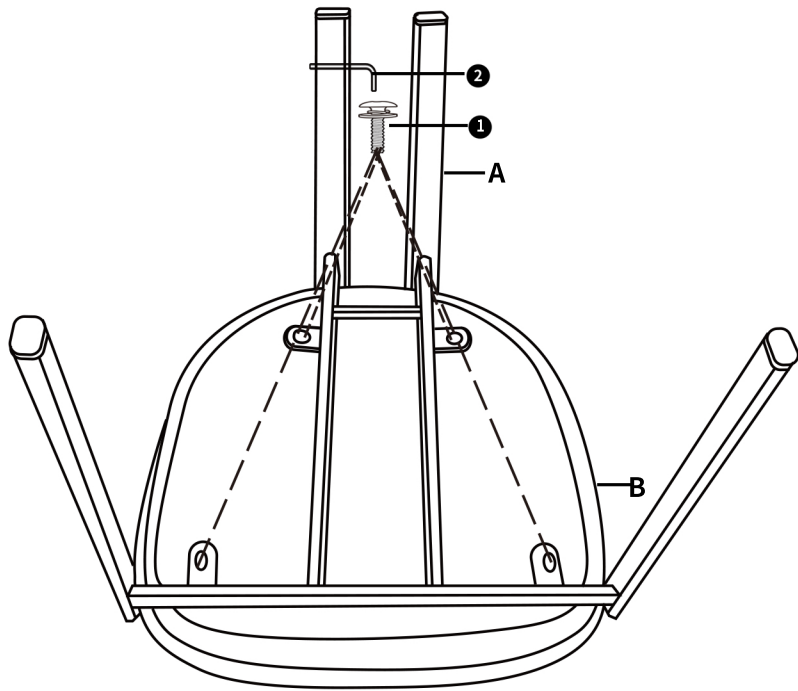


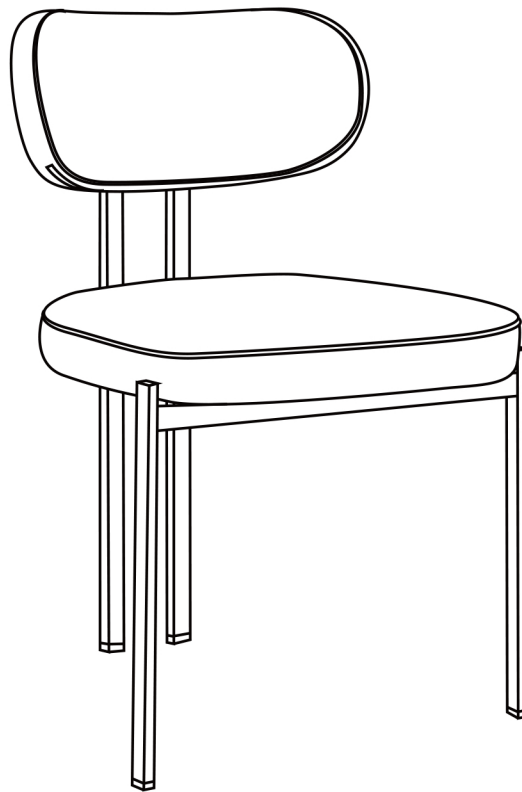
1

1 M6×25mm (4 pcs)

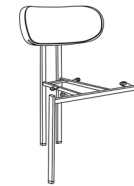
2



2



A: 1 PC



B: 1 PC



1: 4 PCS



M6×25mm

2: 1 PC

