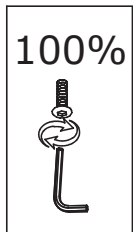
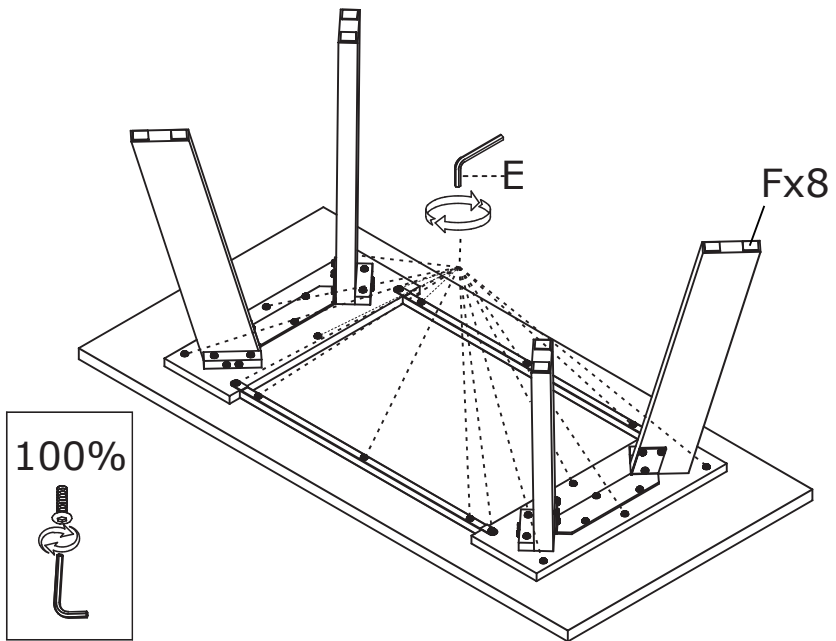


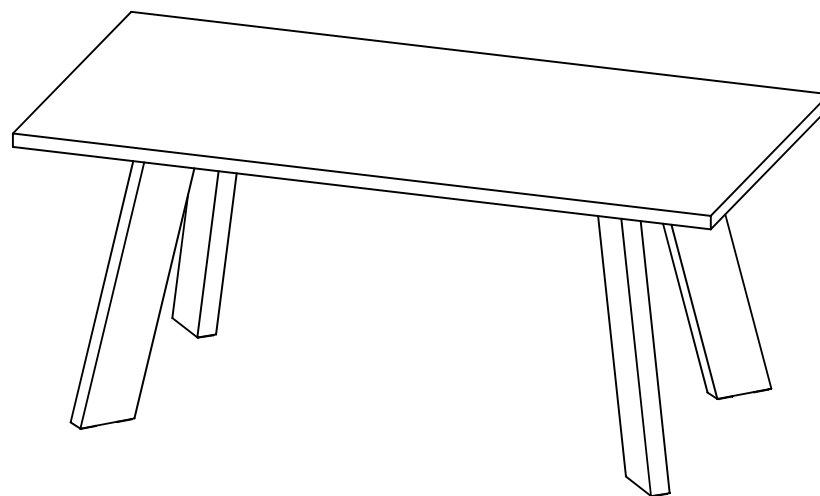
8



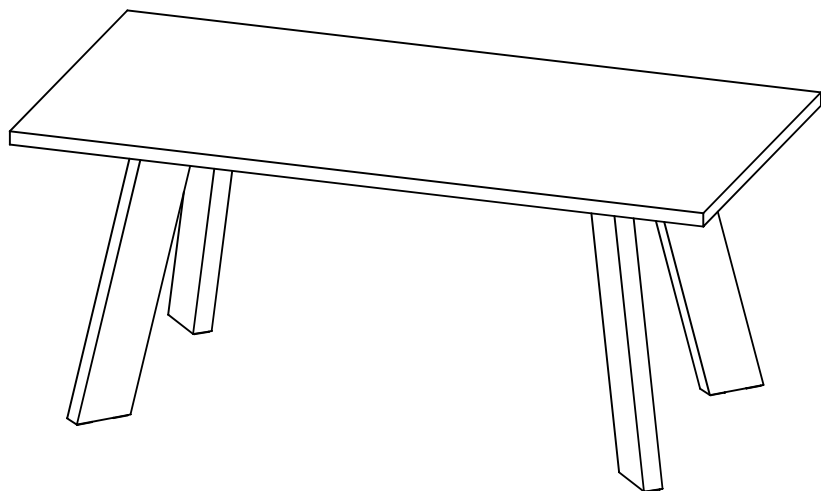
Fx8
40x40mm

Ex1
M5

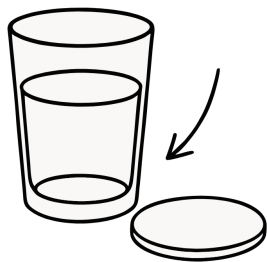
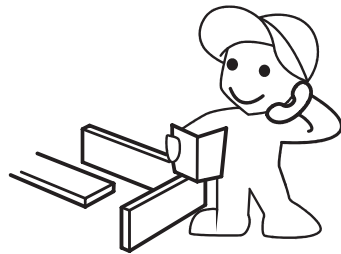
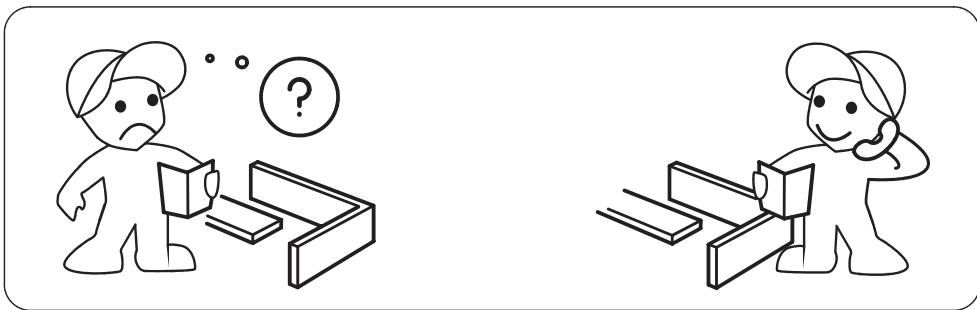
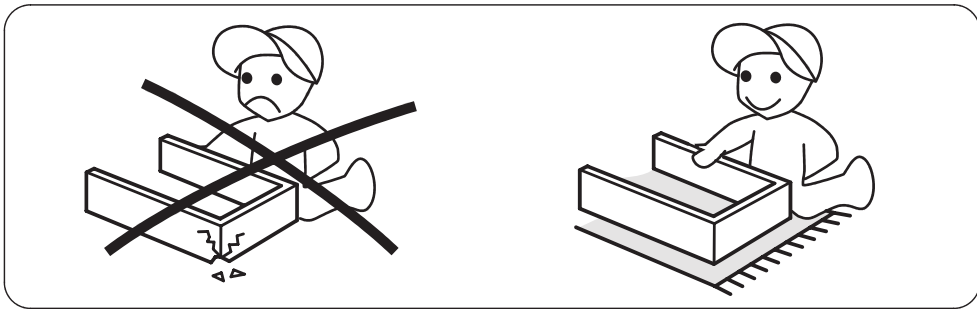
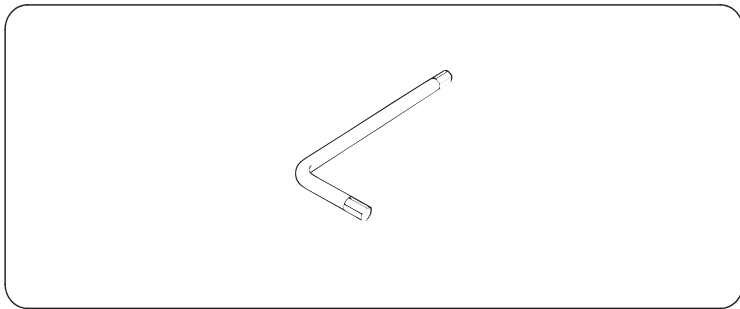
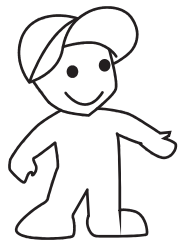
COUNTRY



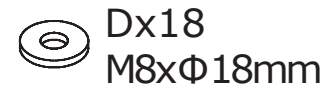
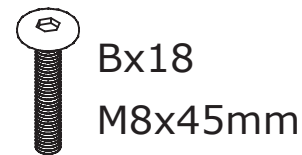
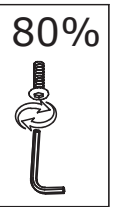
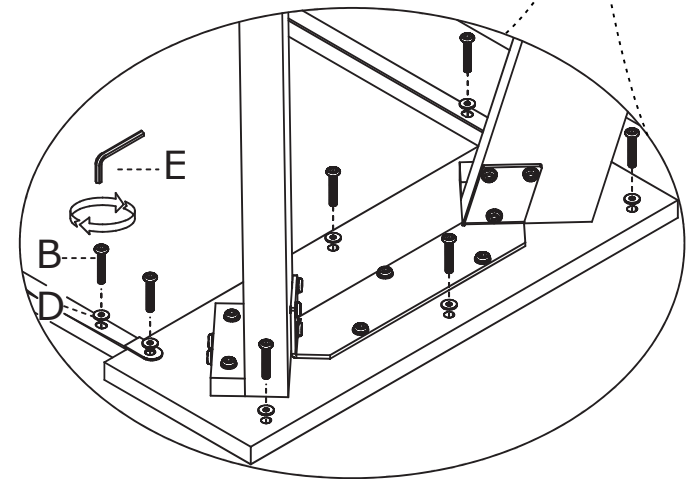
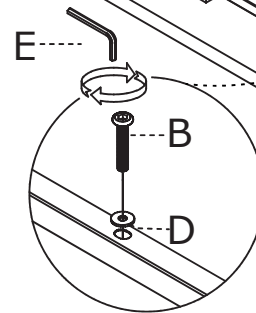
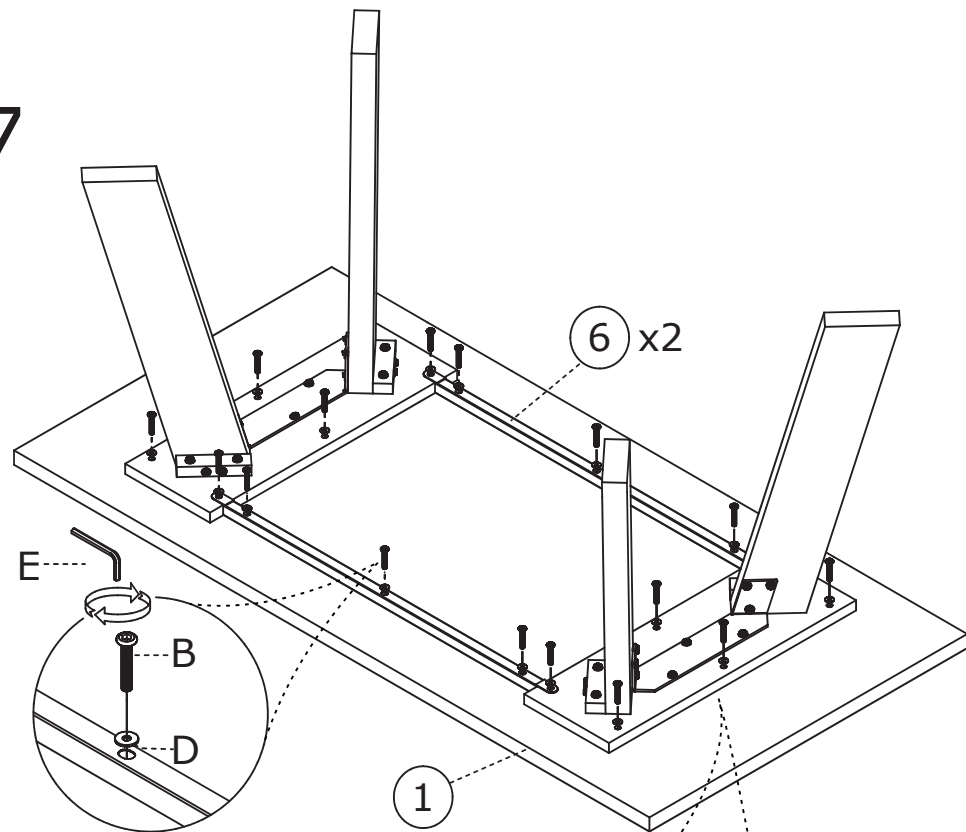
9



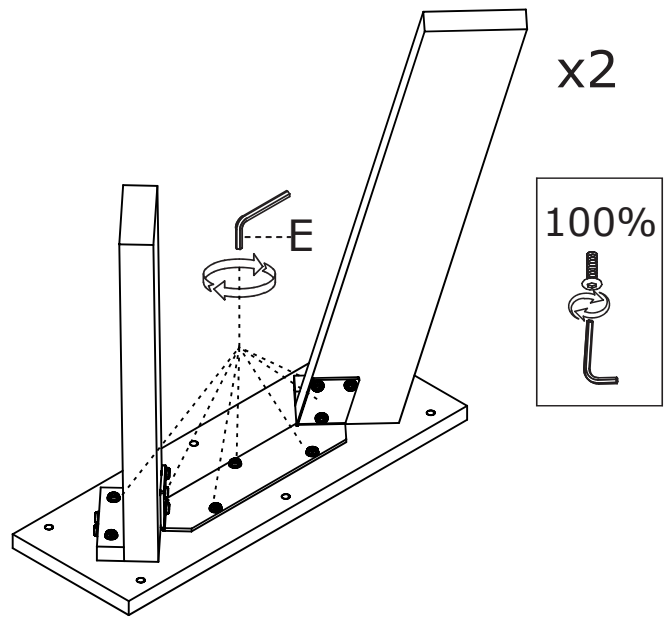
7



7



5

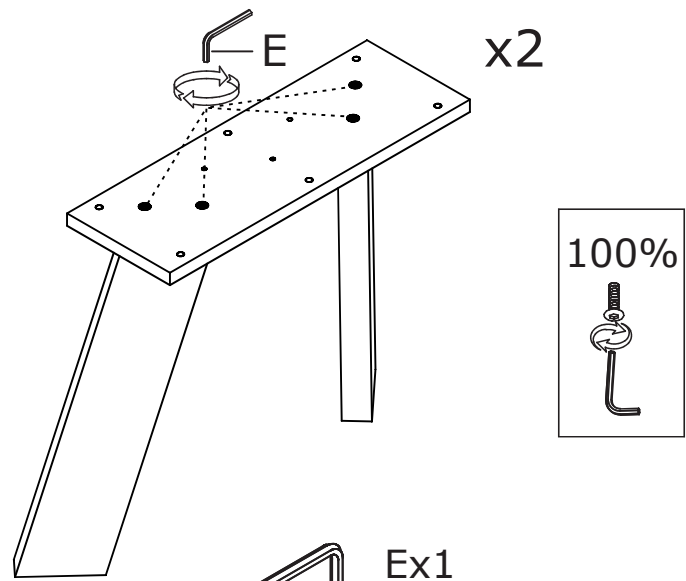


x2



Ex1
M5

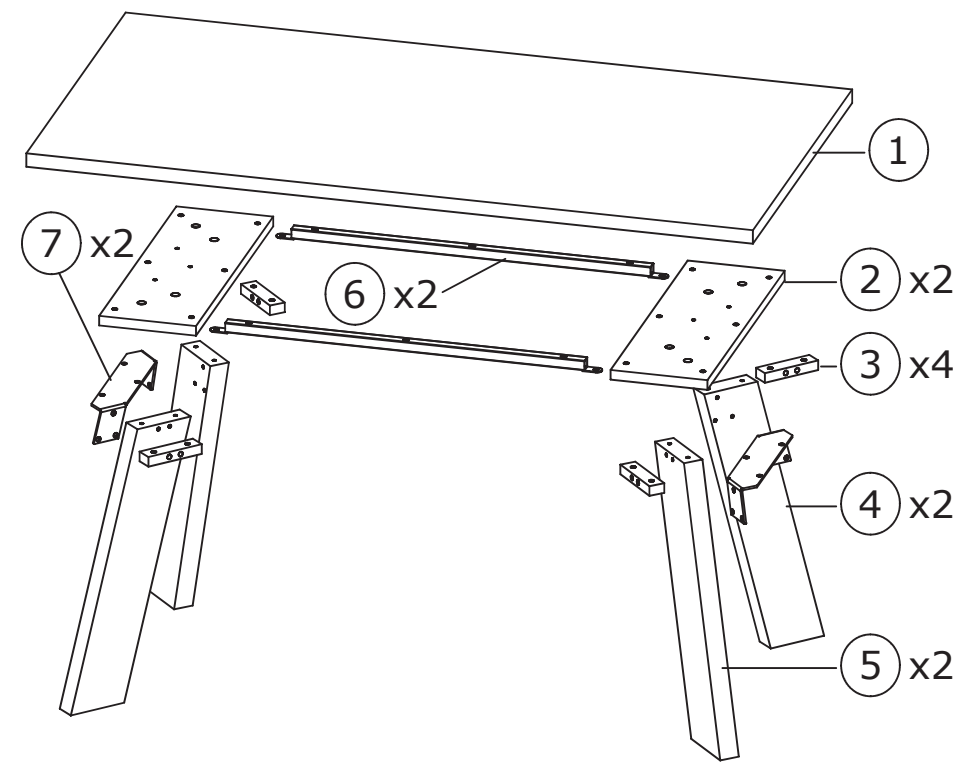
6

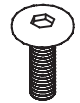

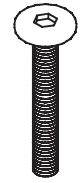


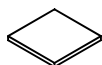


x2

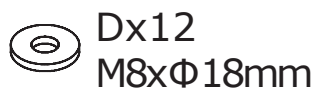
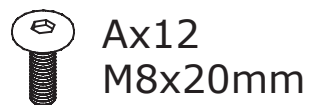
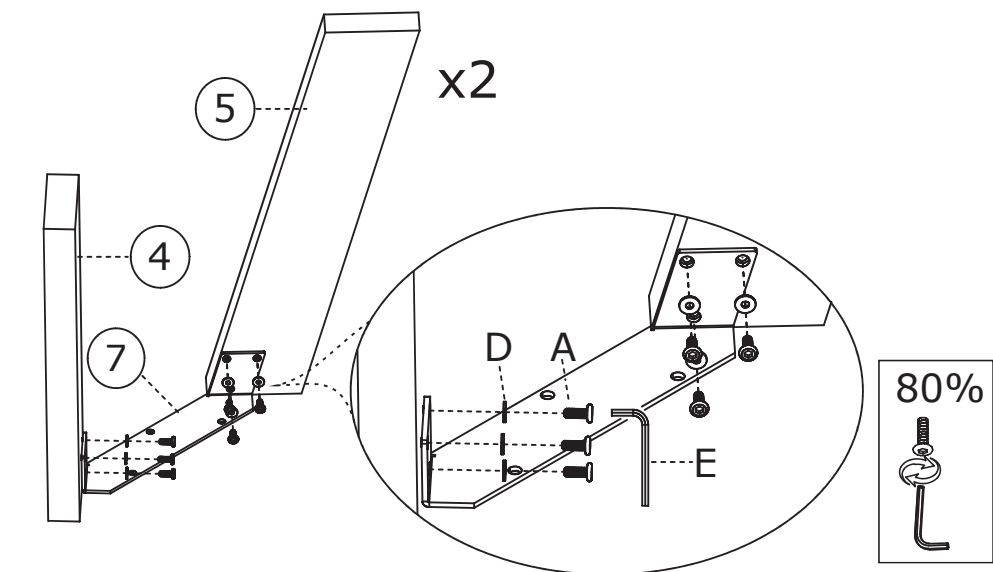


Ex1
M5

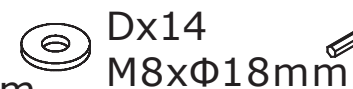
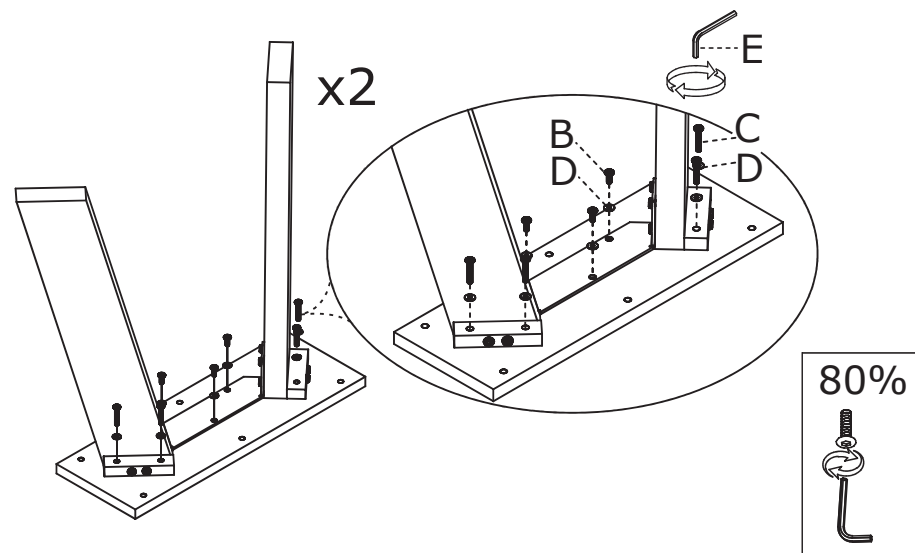


- | | | |
|--|---|--|
|  Ax18
M8x20mm |  Bx34
M8x45mm |  Cx8
M8x60mm |
|  Dx60
M8xΦ18mm |  Ex1
M5 |  Fx8
40x40mm |

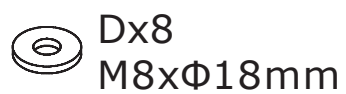
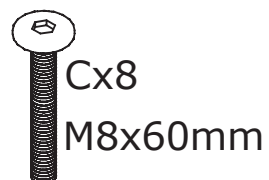
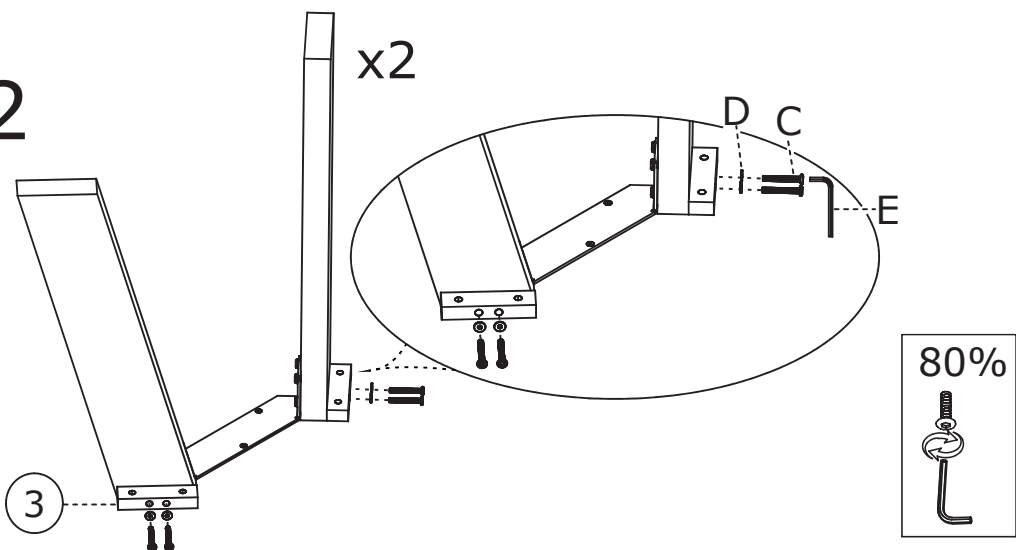
1



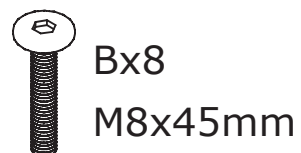
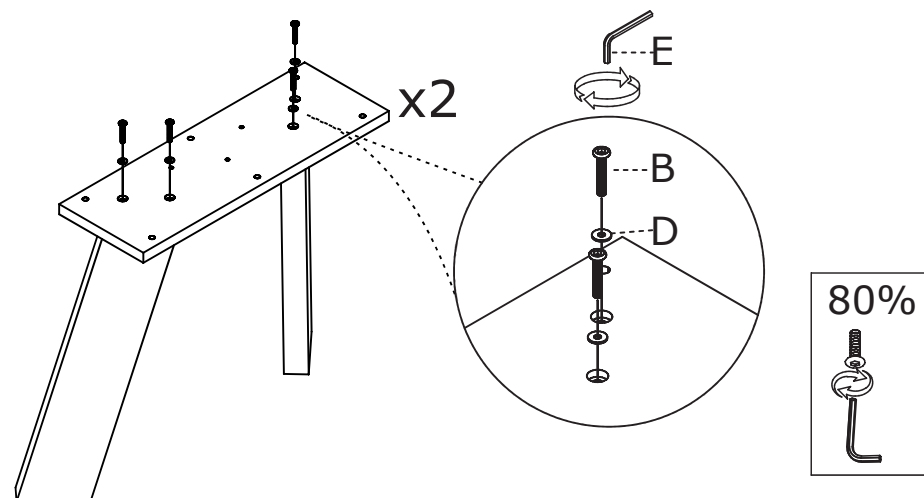
3



2



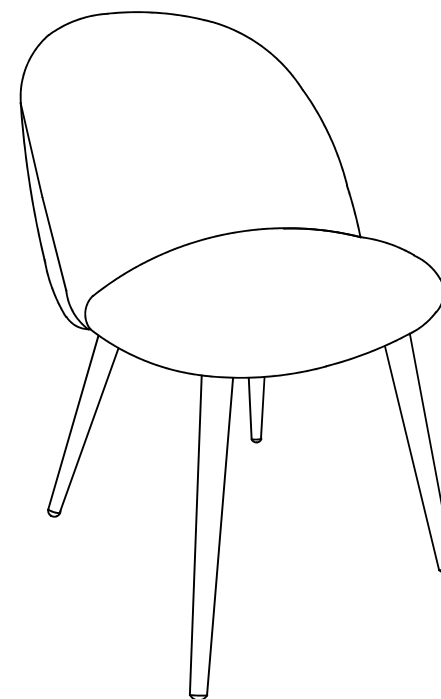
4



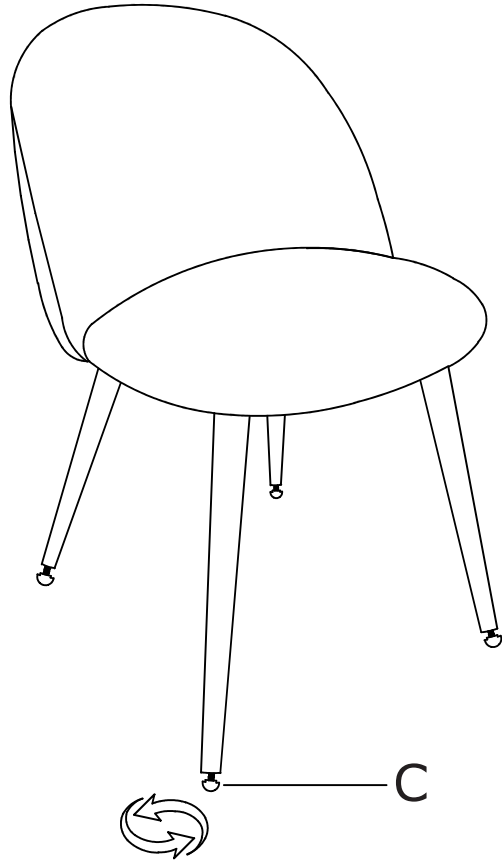
3

4

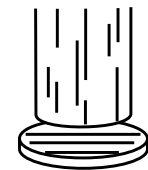
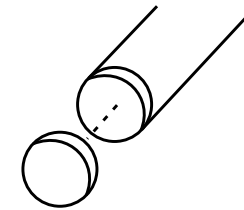
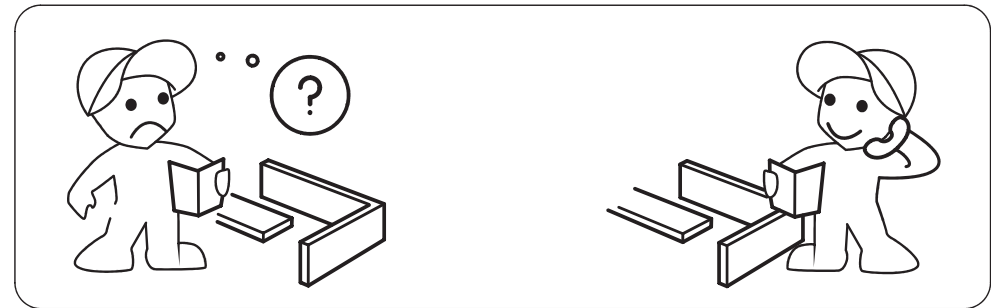
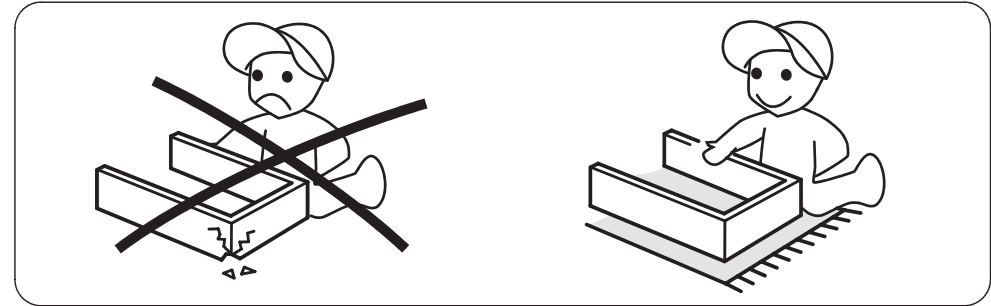
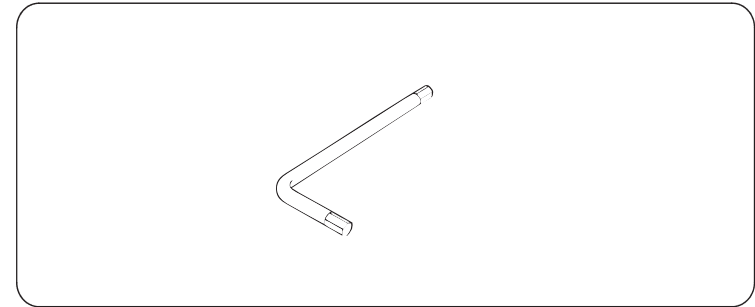
COUNTRY CHAIR



2



FASTEN/LOOSE THE PAD TO MAKE IT EVEN IF NEEDED



1

