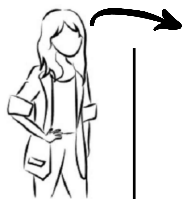


# ASSEMBLY INSTRUCTIONS

ITEM NO. -2074168-01-0



Ax2



Ø6x40

Bx2



M4x38

Cx1

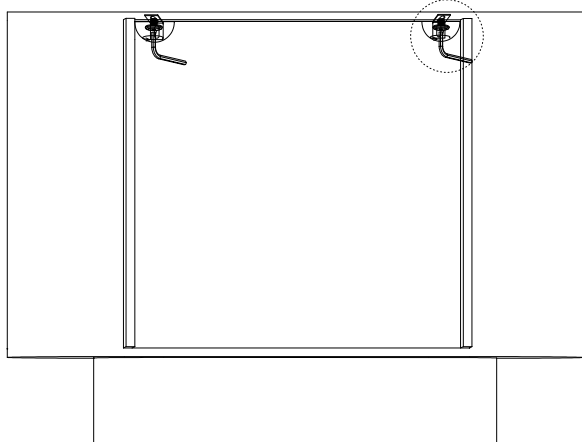
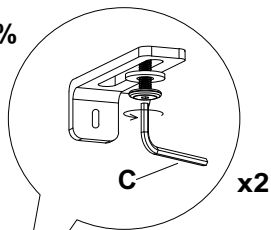


#4

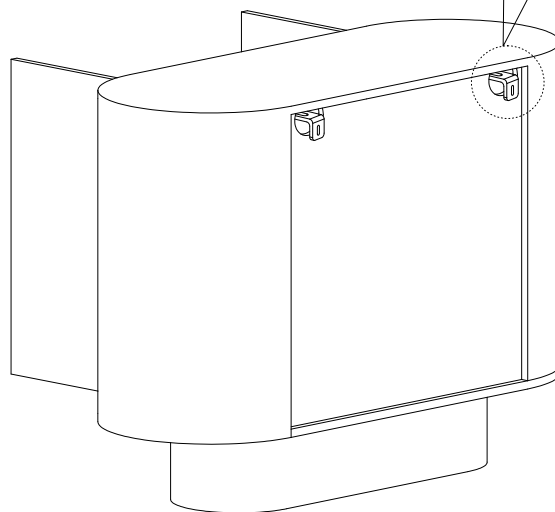
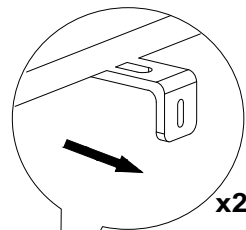


STEP-1

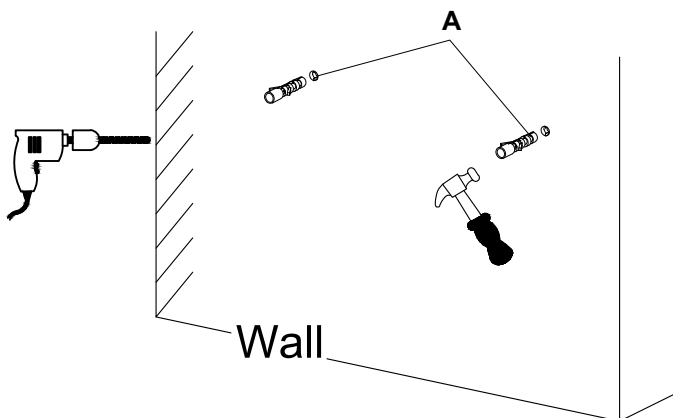
Loose it 50%



STEP-2



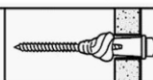
STEP-3



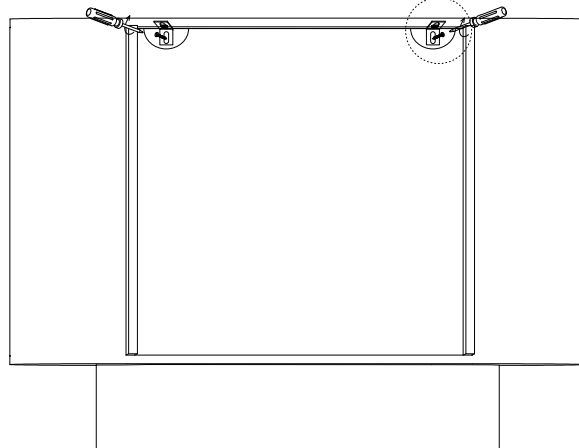
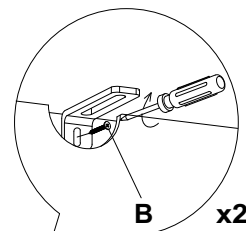
Concrete wall

Dry Wall

Wooden Wall



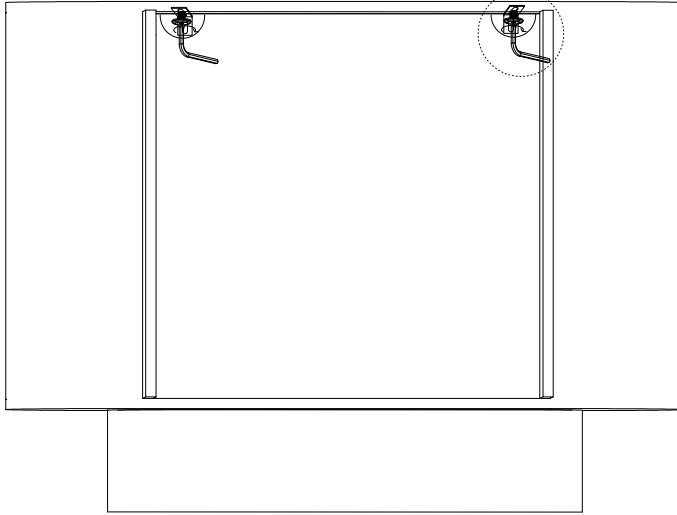
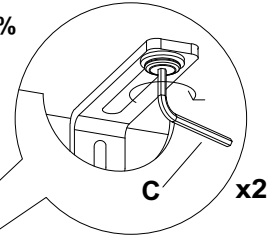
STEP-4



Wall

STEP-5

Tight 100%



FR

Pensez à  
donner ou recycler.



<https://quefairedemesdechets.fr>



PAP  
RACCOLTA CARTA