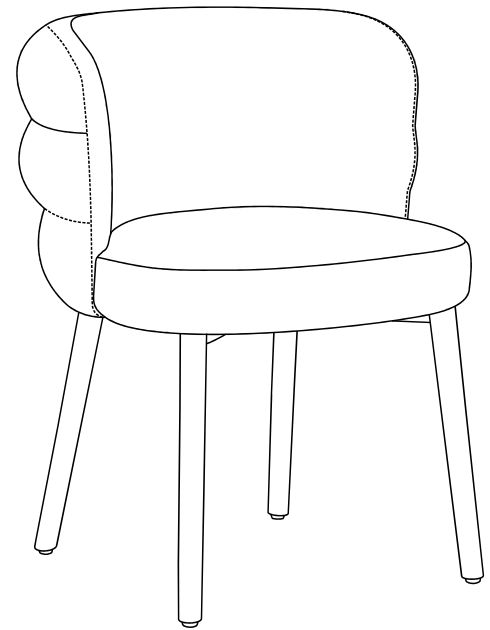
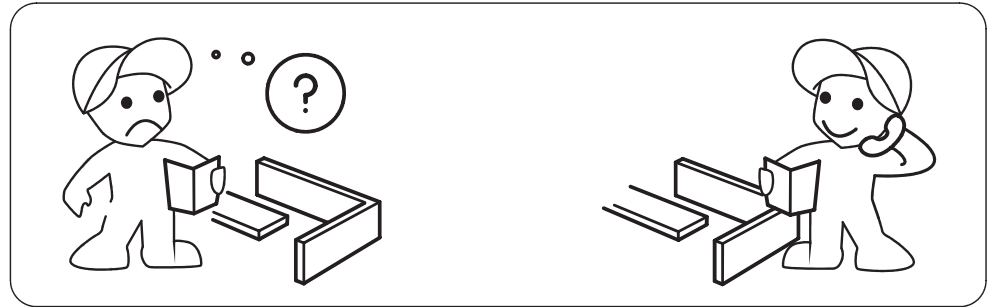
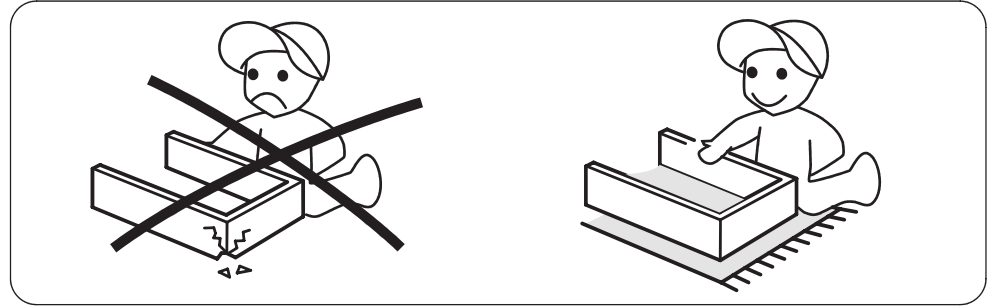
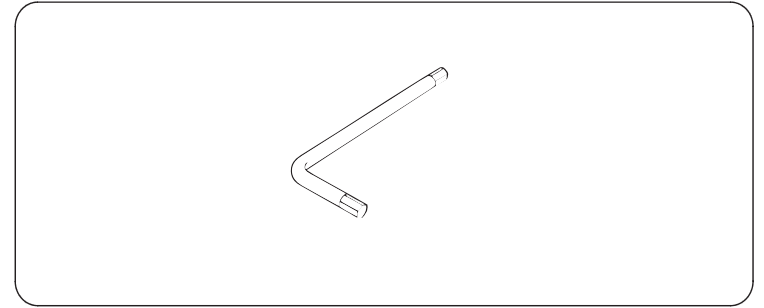
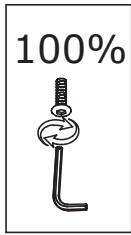
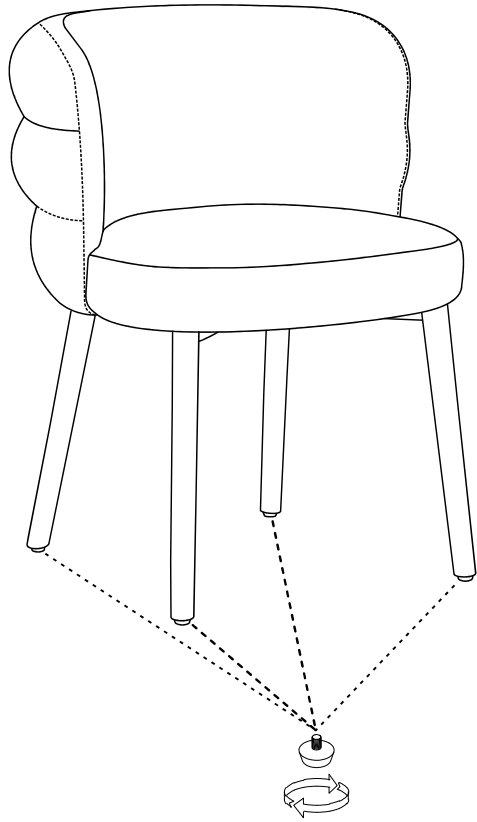
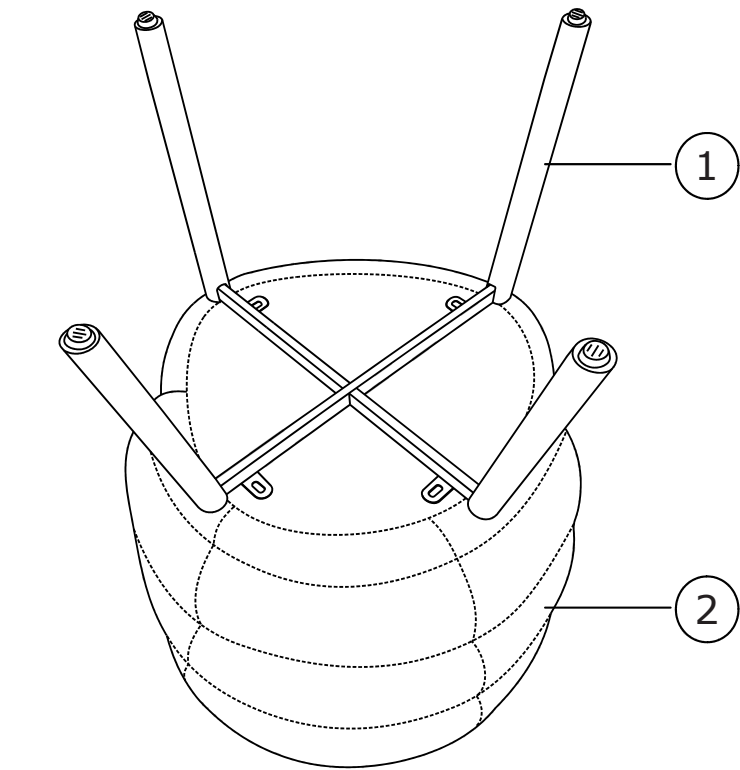


**BIGGER**





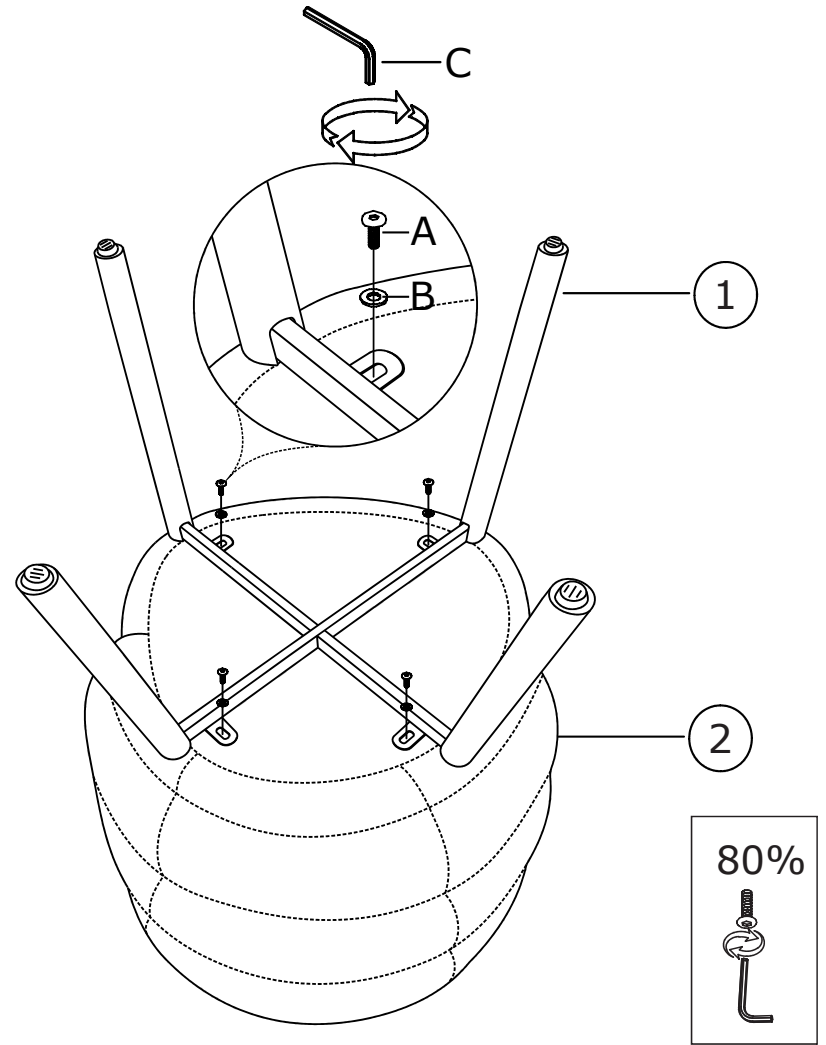


Ax4  
M6x16mm

Bx4  
M6xΦ16mm

Cx1  
M5

1



Ax4  
M6x16mm

Bx4  
M6xΦ16mm

Cx1  
M5

80%

