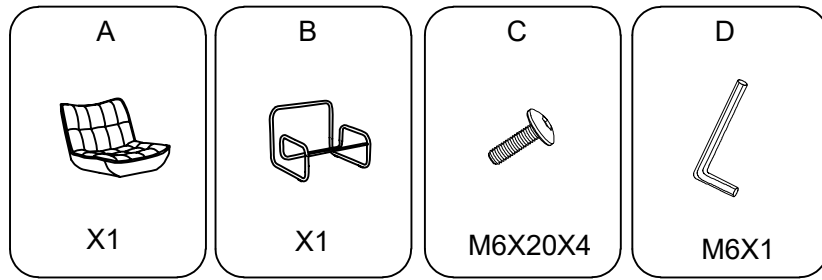
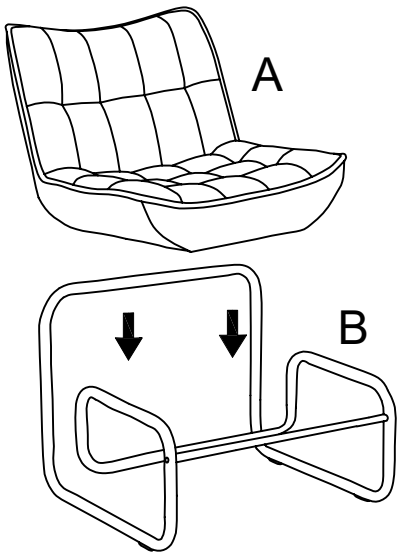


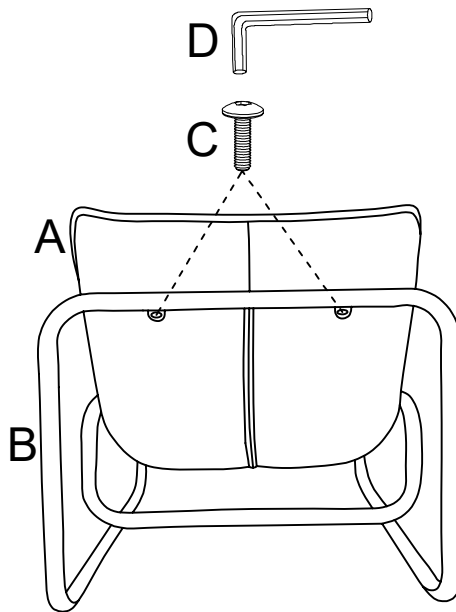
Assembly Instruction



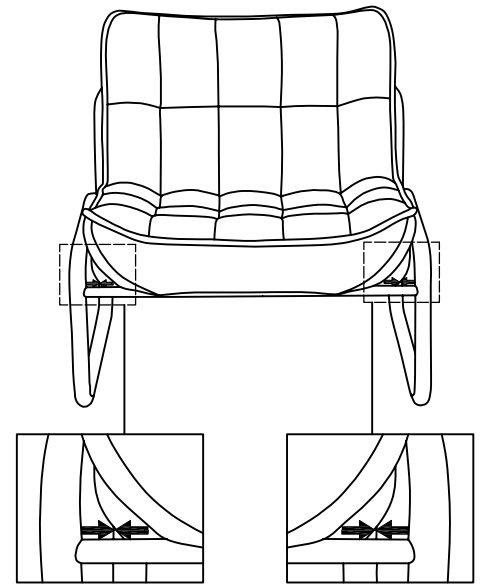
1



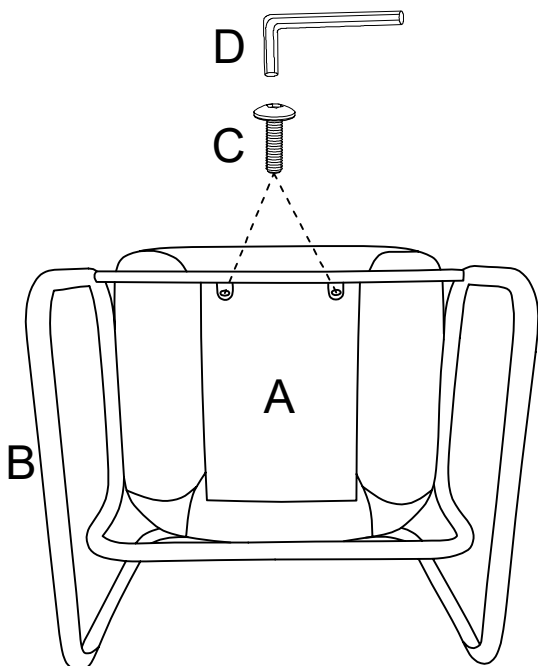
2



3



4



5

