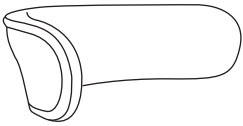

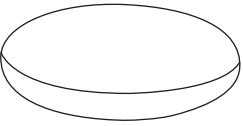

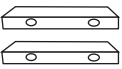




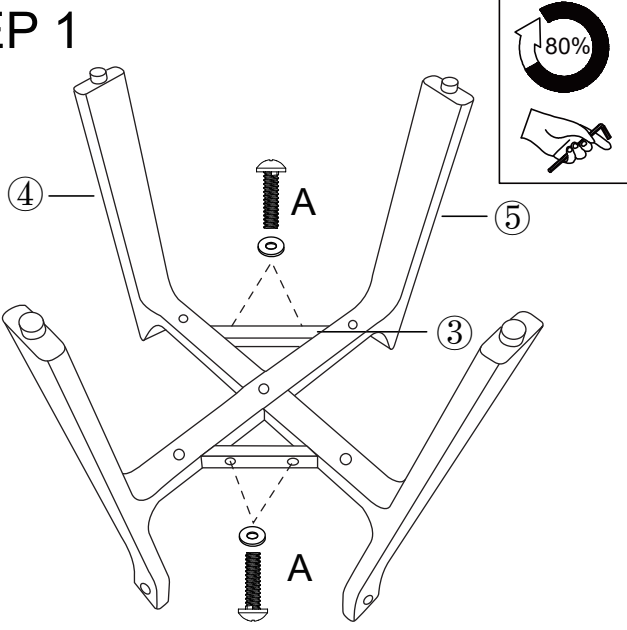


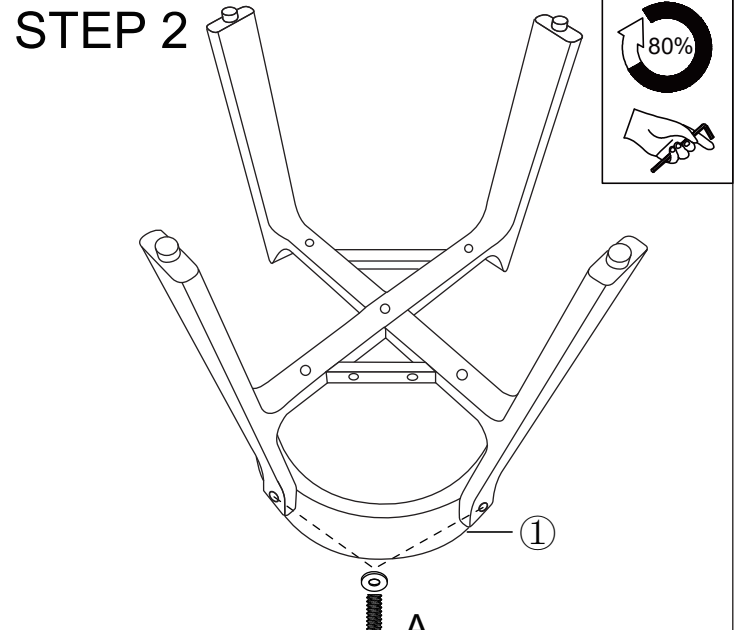
Assembly Instruction

①*1pc		A*6+1EXT	 M6*30MM+M6*14*1MM
②*1pc		B*5+1EXT	 M6*42MM+M6*14*1MM
③*2pcs			
④*1pc		D*2	
⑤*1pc		G*1	 M6

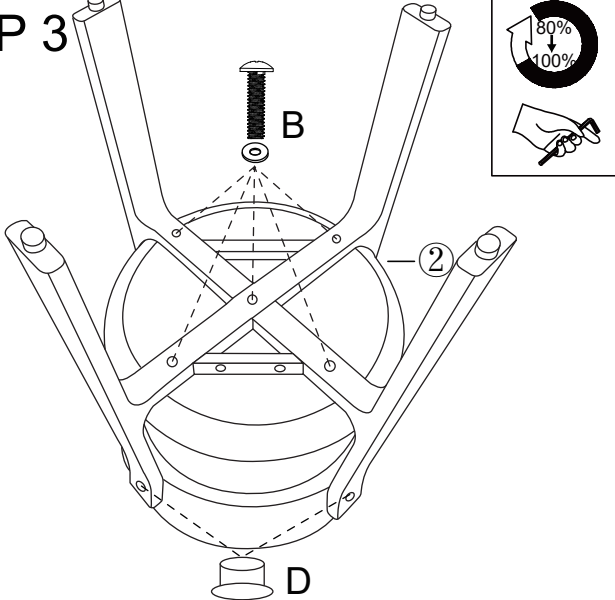
STEP 1



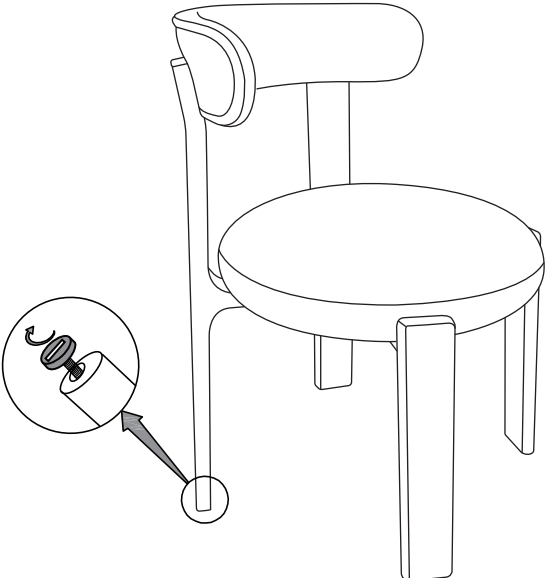
STEP 2



STEP 3



STEP 4



First, tighten the screws in Step 1 and Step 2, and then install the cap plug.